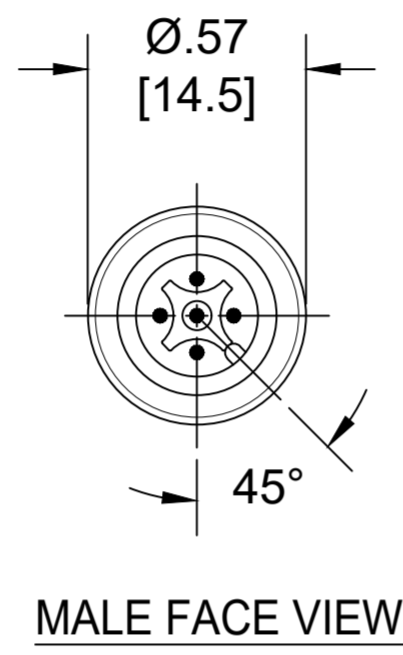
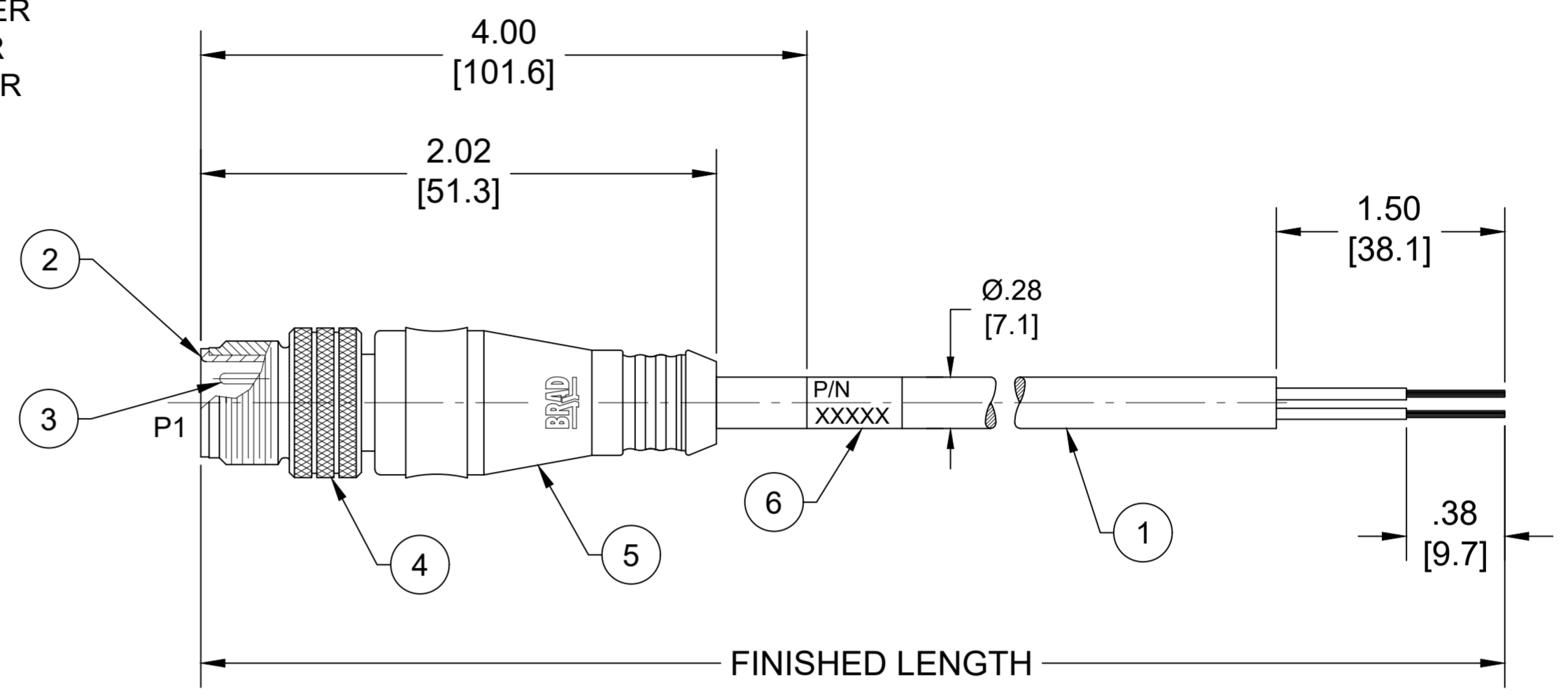


**PART NUMBER LEGEND**  
**805006K03M010**

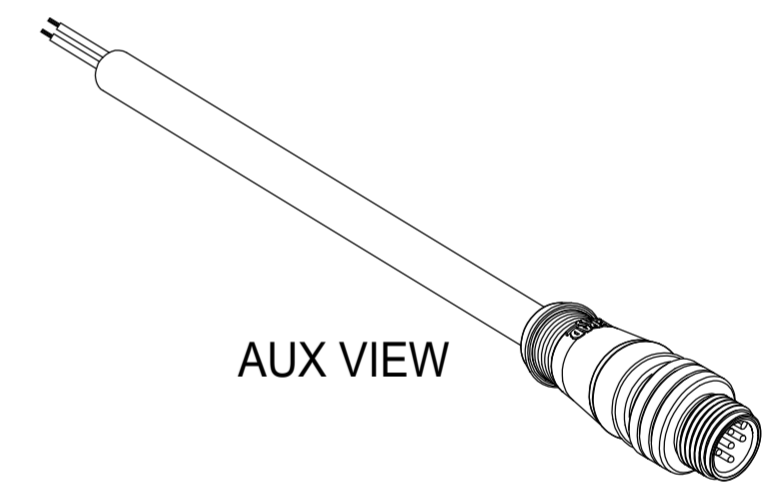
FINISHED LENGTH  
M005 = 0.5 METER  
M010 = 1 METER  
M100 = 10 METER



PART NO	ENGINEERING NO.	FINISHED LENGTH
1200659221	805006K03M010	1M [3FT 3 IN]
1200652423	805006K03M150	15M [49FT 2 IN]
1200659223	805006K03M300	30M [98FT 5 IN]



- NOTES:**
1. MATERIAL: AS NOTED
  2. FINISH: AS NOTED
  3. ELECTRICAL:  
VOLTAGE: 250V  
CURRENT: 4A
  4. TEMP RATING: -20°TO +105°C
  5. PROTECTION: IP67 (WHEN MATED)
  6. COUPLING THREAD: M12X1
  7. UL RECOGNIZED FILE: E152210  
CSA CERTIFIED FILE: LR6837
  8. ALL DIMENSIONS ARE FOR REFERENCE  
UNLESS TOLERANCED OR NOTED OTHERWISE



**P1**

1	BROWN
2	WHITE
3	BLUE
4	BLACK
5	GRAY

**CABLE LENGTH TOLERANCES**

<.3M [1FT]:	+19mm-0 [+ .75in-0]
.3 - .9M [1 - 3FT]:	+44.5mm-0 [+1.75in-0]
.9 - 1.8M [3 - 6FT]:	+55.6mm-0 [+2.19in-0]
1.8 - 3.7M [6 - 12FT]:	+88.9mm-0 [+3.50in-0]
3.7 - 7.3M [12 - 24FT]:	+165.1mm-0 [+6.50in-0]
7.3-14.6M [24 - 48FT]:	+317.5mm-0 [+12.50in-0]
14.6 - 30.5M [48-100FT]:	+622.3mm-0 [+24.50in-0]
OVER 30M [100FT]	+2% OF FINISHED LENGTH

ITEM	DESCRIPTION	MATERIAL	FINISH
6	WRAP LABEL	VINYL	BLACK/YELLOW
5	OVERMOLD	TPC	YELLOW
4	COUPLING NUT	BRASS	TEFLON/NICKEL
3	CONTACT PIN	COPPER ALLOY	GOLD OVER NICKEL
2	MALE INSERT	PUR	BLACK
1	CABLE #18AWG (C)	TPE JACKET	YELLOW

**WIRING DIAGRAM**

FUNCTIONAL SYMBOLS $F_A=0$ $F_C=0$ $F_P=0$ DIVISIONAL SYMBOLS	THIS DRAWING CONTAINS INFORMATION THAT IS PROPRIETARY TO MOLEX ELECTRONIC TECHNOLOGIES, LLC AND SHOULD NOT BE USED WITHOUT WRITTEN PERMISSION	DIMENSION UNITS: INCH/MM SCALE: NTS		CURRENT REV DESC: CABLE CHANGED TO 18AWG. REVISED FLEX DATA	
	GENERAL TOLERANCES (UNLESS SPECIFIED)			EC NO: 715560	
	4 PLACES ±--- ±--- 3 PLACES ±--- ±--- 2 PLACES ±--- ±--- 1 PLACE ±--- ±--- 0 PLACES ±--- ±---			DRWN: RSTONE 2022/07/26 CHK'D: MZIELINSKI 2022/07/27 APPR: BWOODMAN 2022/08/05	
	ANGULAR TOL ± --- ° DRAFT WHERE APPLICABLE MUST REMAIN WITHIN DIMENSIONS			INITIAL REVISION: DRWN: BWOODMAN 2009/08/17 APPR: JFMURPHY 2009/08/21	
DOCUMENT NUMBER: SD-120065-021		DOC TYPE/DOC PART: PSD 001		REVISION: C	
MATERIAL NUMBER: SEE CHART		CUSTOMER: GENERAL MARKET		SHEET NUMBER: 1 OF 1	