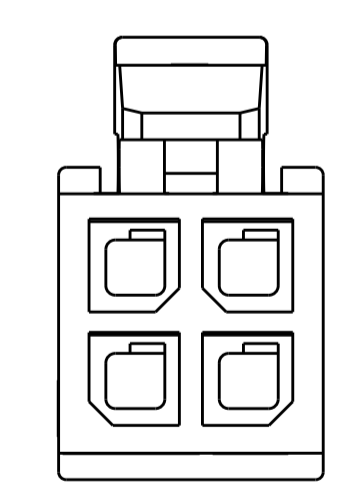
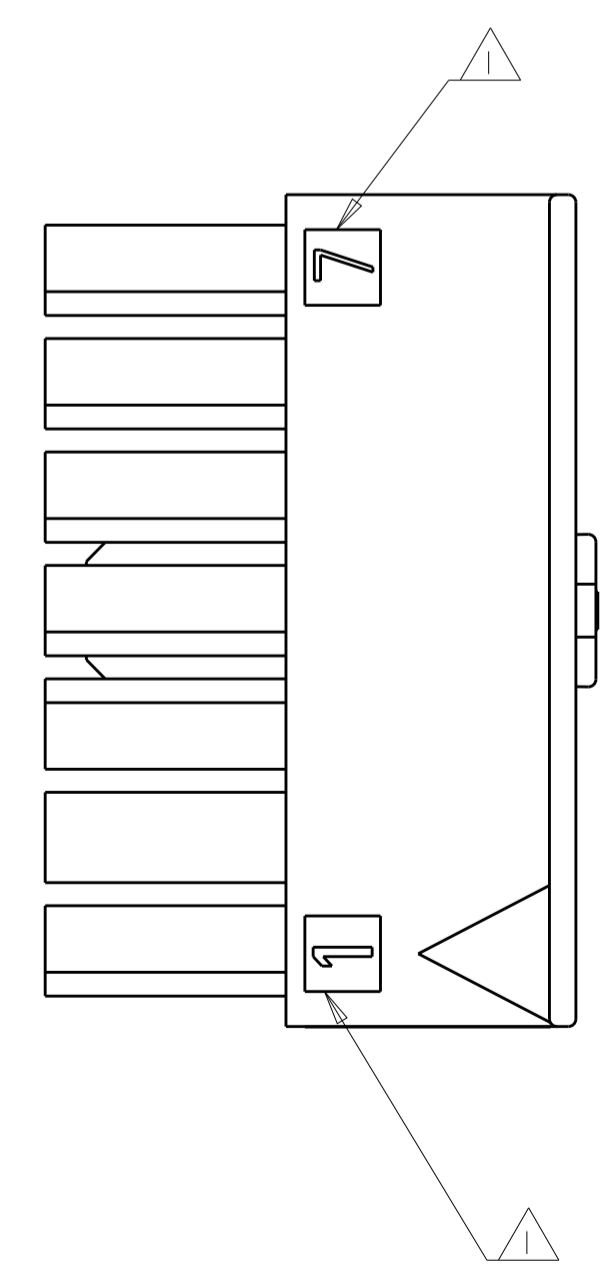
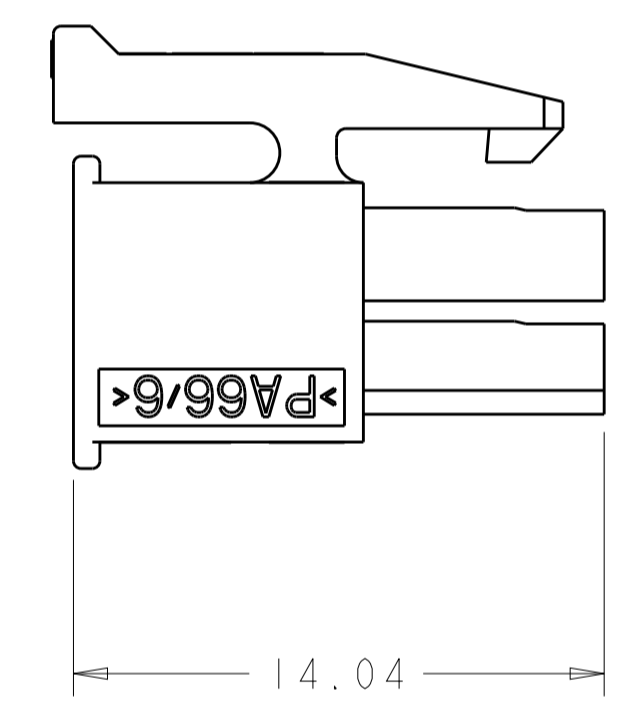
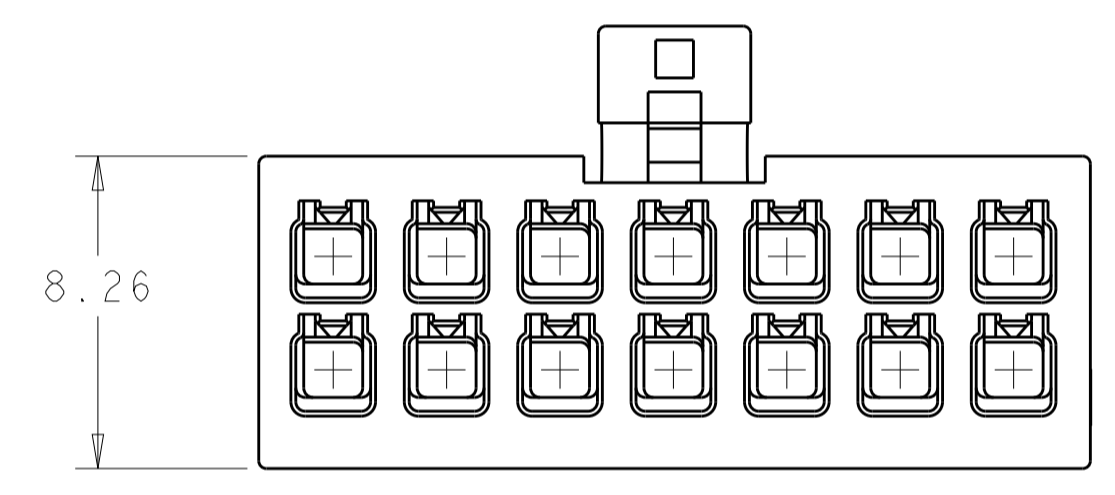
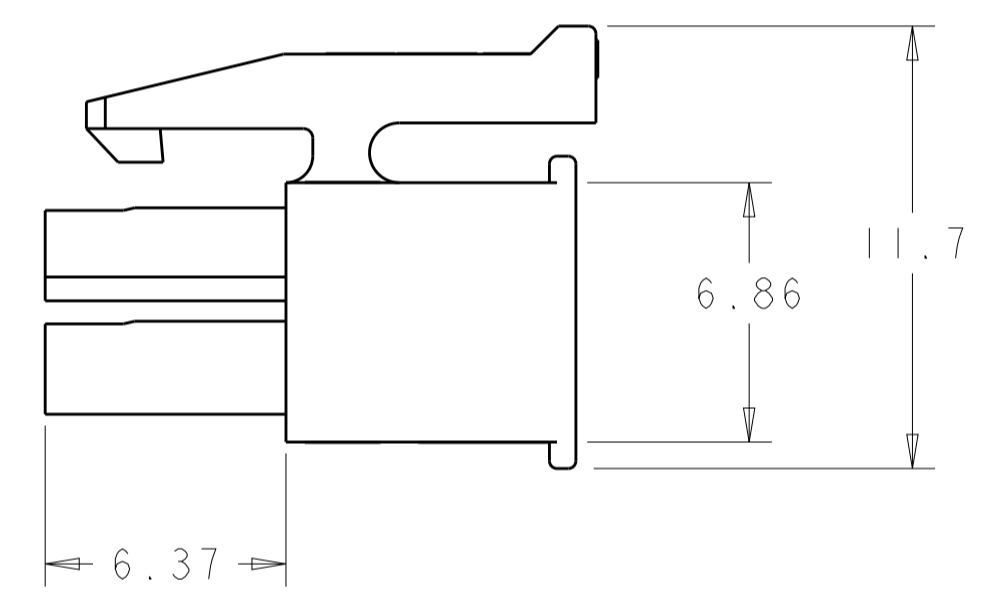
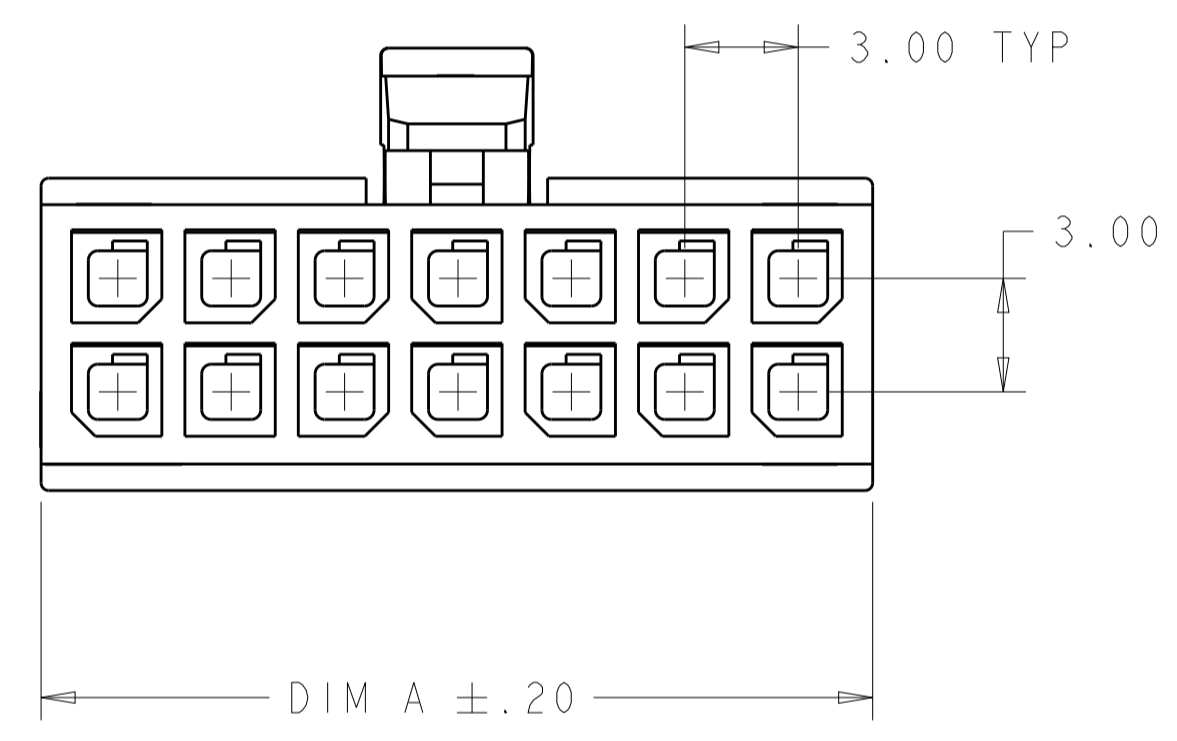
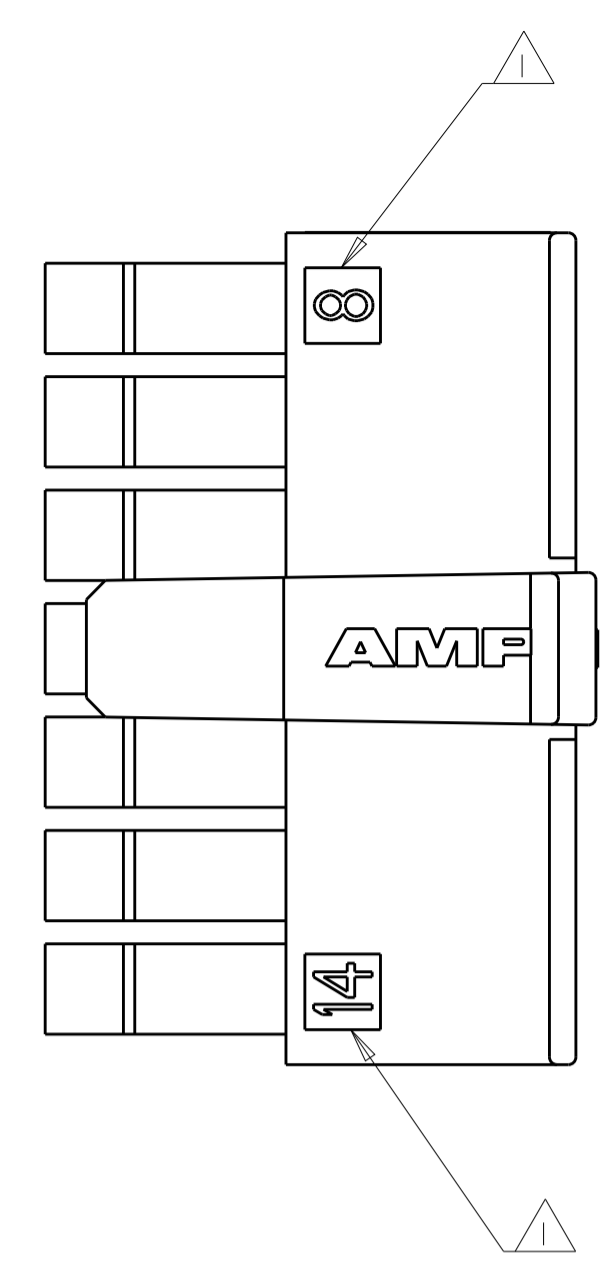
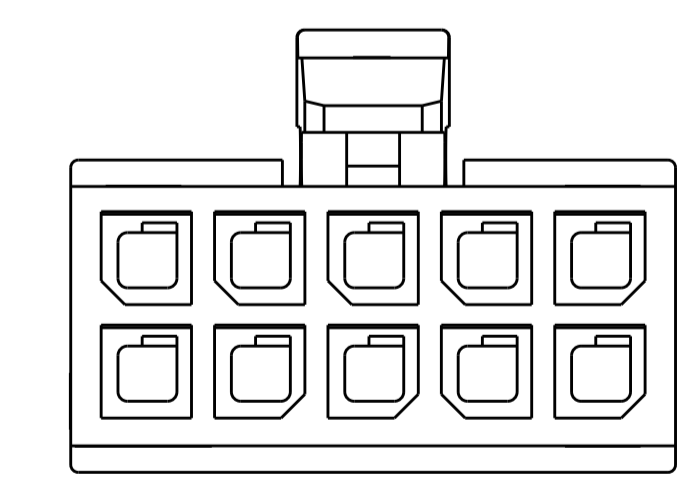


LOC	DIST	REVISIONS					
		P.	LTN	DESCRIPTION	DATE	DWN	APVD
CM	00	A		ECO-08-006054	11MAR2008	KW	CJ
		B		ECO-17-000100	09MAR2017	CX	DZ
		B1		ECO-19-004882	10APR2019	AP	WS

△ CIRCUIT IDENTIFIER, LOCATED APPROXIMATELY AS SHOWN.



KEYING FOR 1586461-4



KEYING FOR 1-1586461-0

1114.73	22.00	14	1-1586461-4
837.56	16.00	10	1-1586461-0
420.48	7.00	4	1586461-4
VOLUME mm ³	DIM A	NO. OF POS.	PART NO.

DIMENSIONS: mm 		TOLERANCES UNLESS OTHERWISE SPECIFIED: 0 PLC ± 1 PLC ±0.13 2 PLC ± 3 PLC ± 4 PLC ± ANGLES ±40°/30° FINISH -		DWN R. WHITAKER 11MAR2008 CHK C. JONES 11MAR2008 APVD C. JONES 11MAR2008 PRODUCT SPEC 108-1836 APPLICATION SPEC 114-13000 WEIGHT - CUSTOMER DRAWING		Tyco Electronics Harrisburg, PA 17105-3608 NAME RECEPTACLE HOUSING, DUAL ROW, MICRO MATE-N-LOK(TM) SIZE CAGE CODE DRAWING NO. RESTRICTED TO A100779C=1586461 SCALE 5:1 SHEET 1 OF 1 REV B1	
-----------------------	--	--	--	---	--	--	--