

**MATERIALS AND FINISHES:**

**BODY: STAINLESS STEEL  
PASSIVATE**

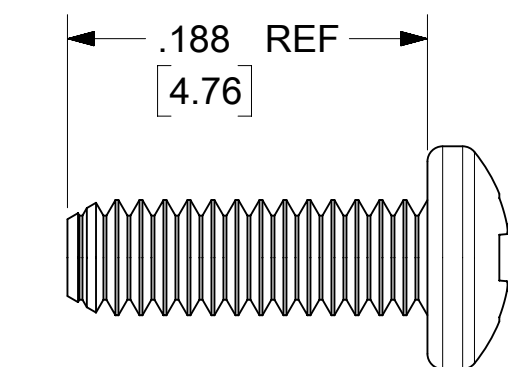
**CENTER CONTACT: BERYLLIUM COPPER  
PLATED: GOLD (30µ-in MIN)  
OVER NICKEL (100µ-in MIN)**

**INSULATOR: PTFE**

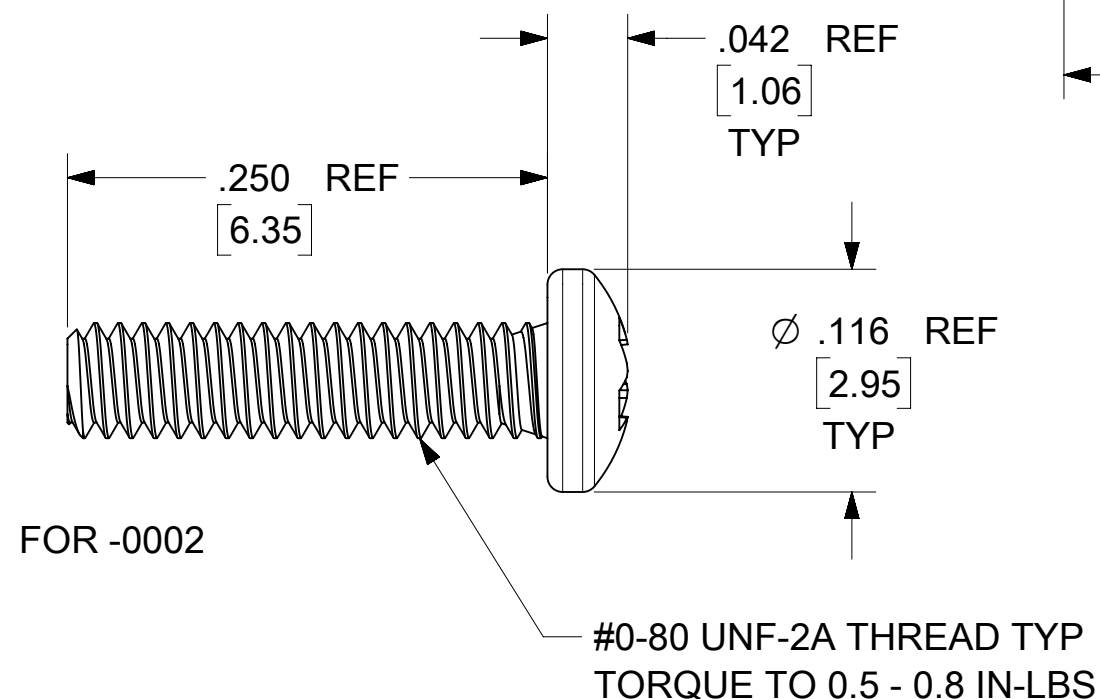
**SCREW: STEEL  
PASSIVATE**

1.85MM JACK  
INTERFACE

M7 X 0.75-6g

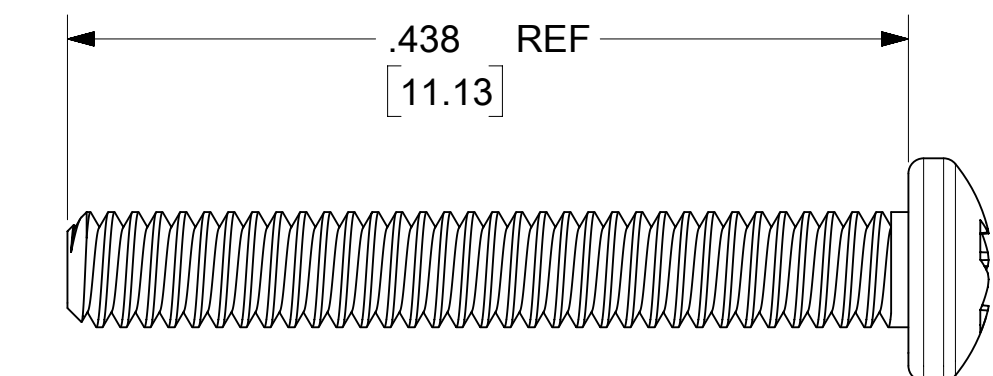


FOR -0001

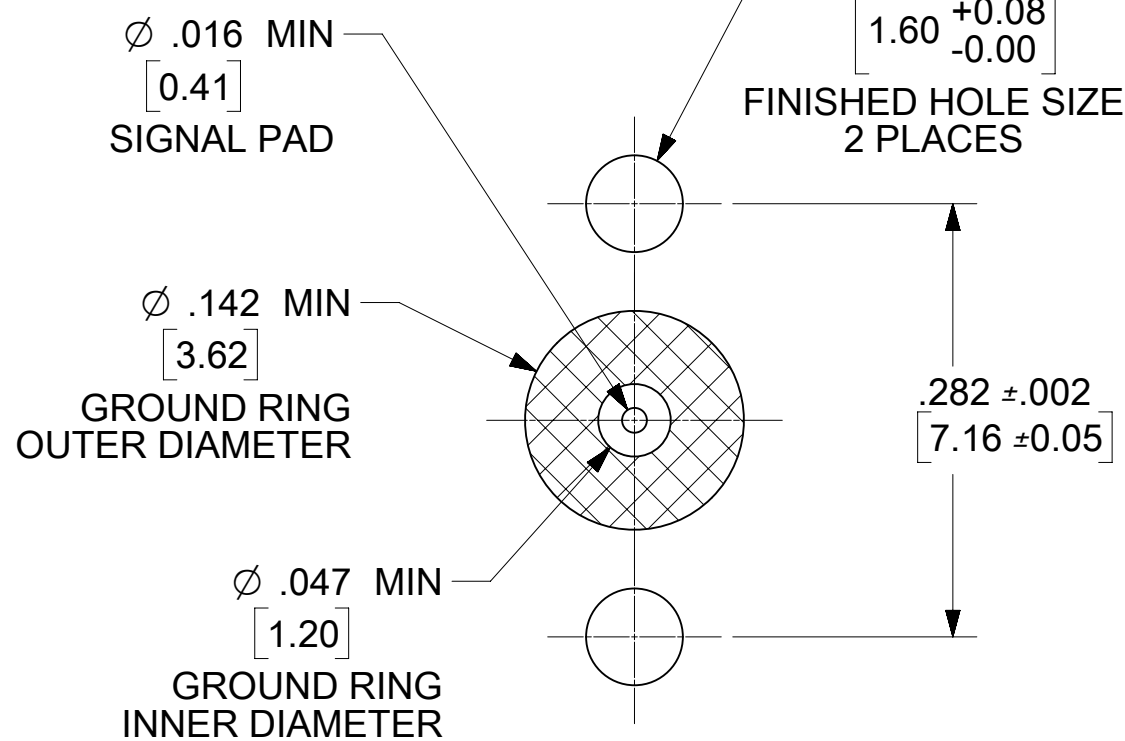
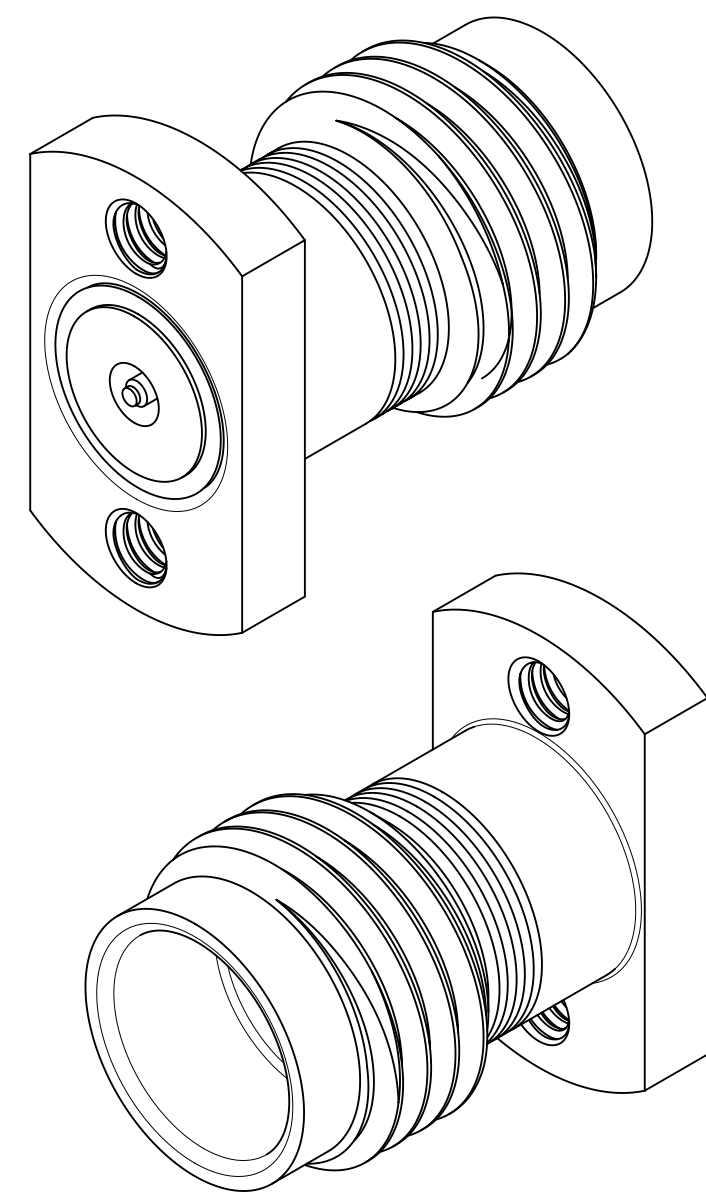
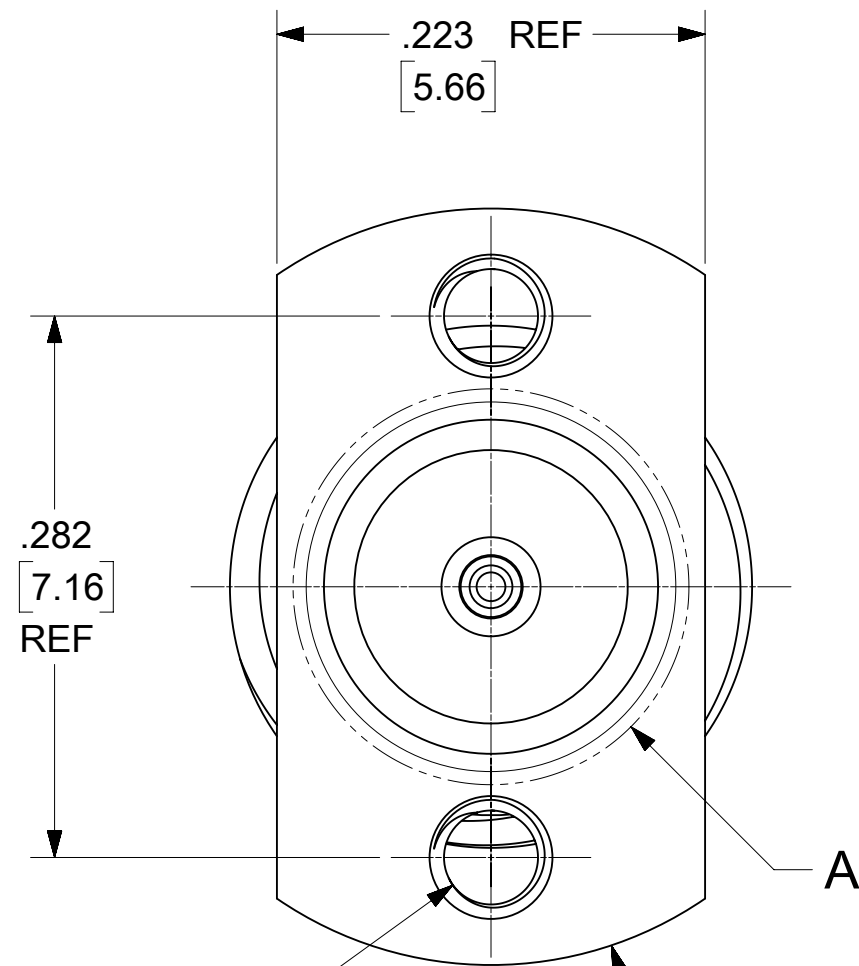
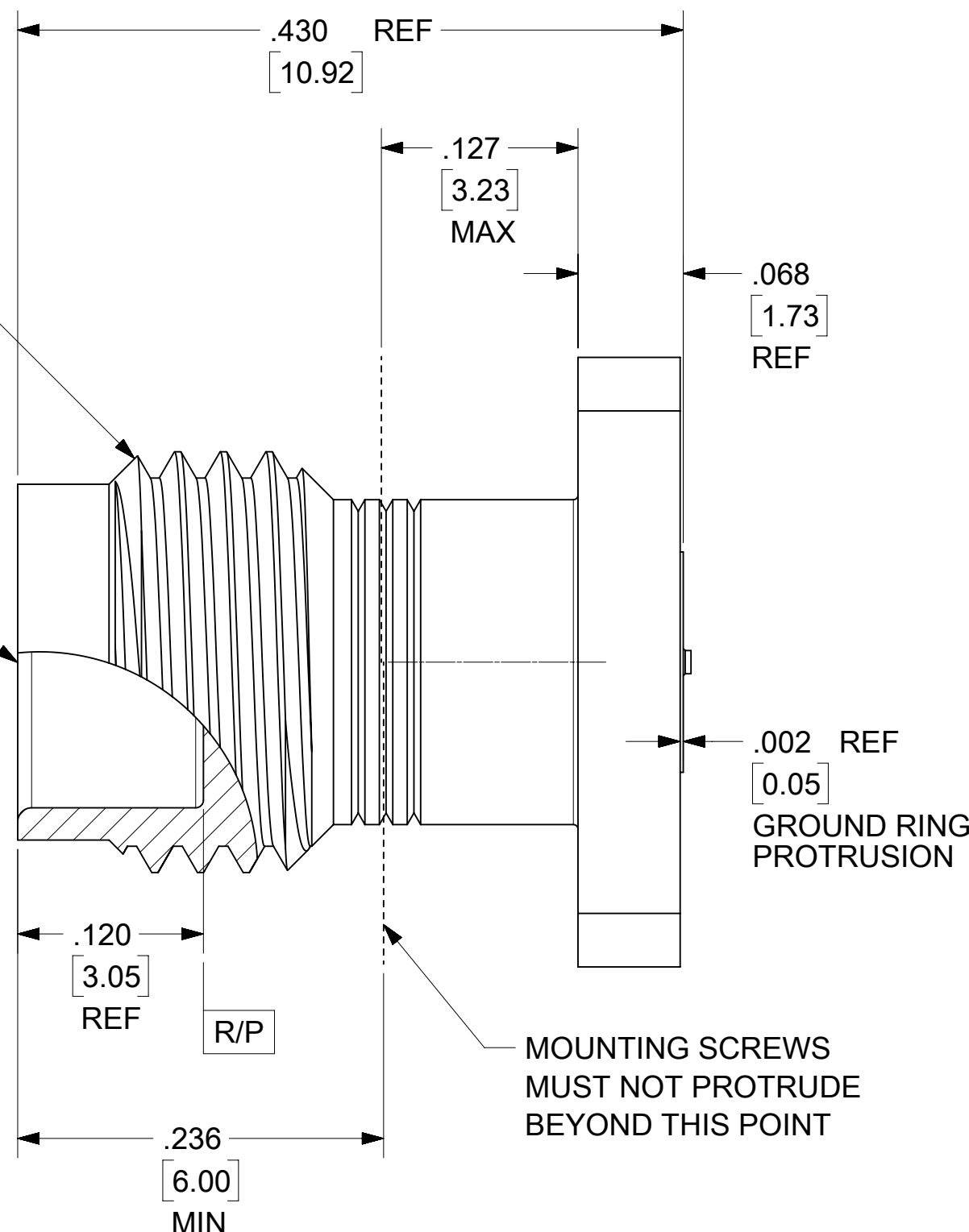


FOR -0002

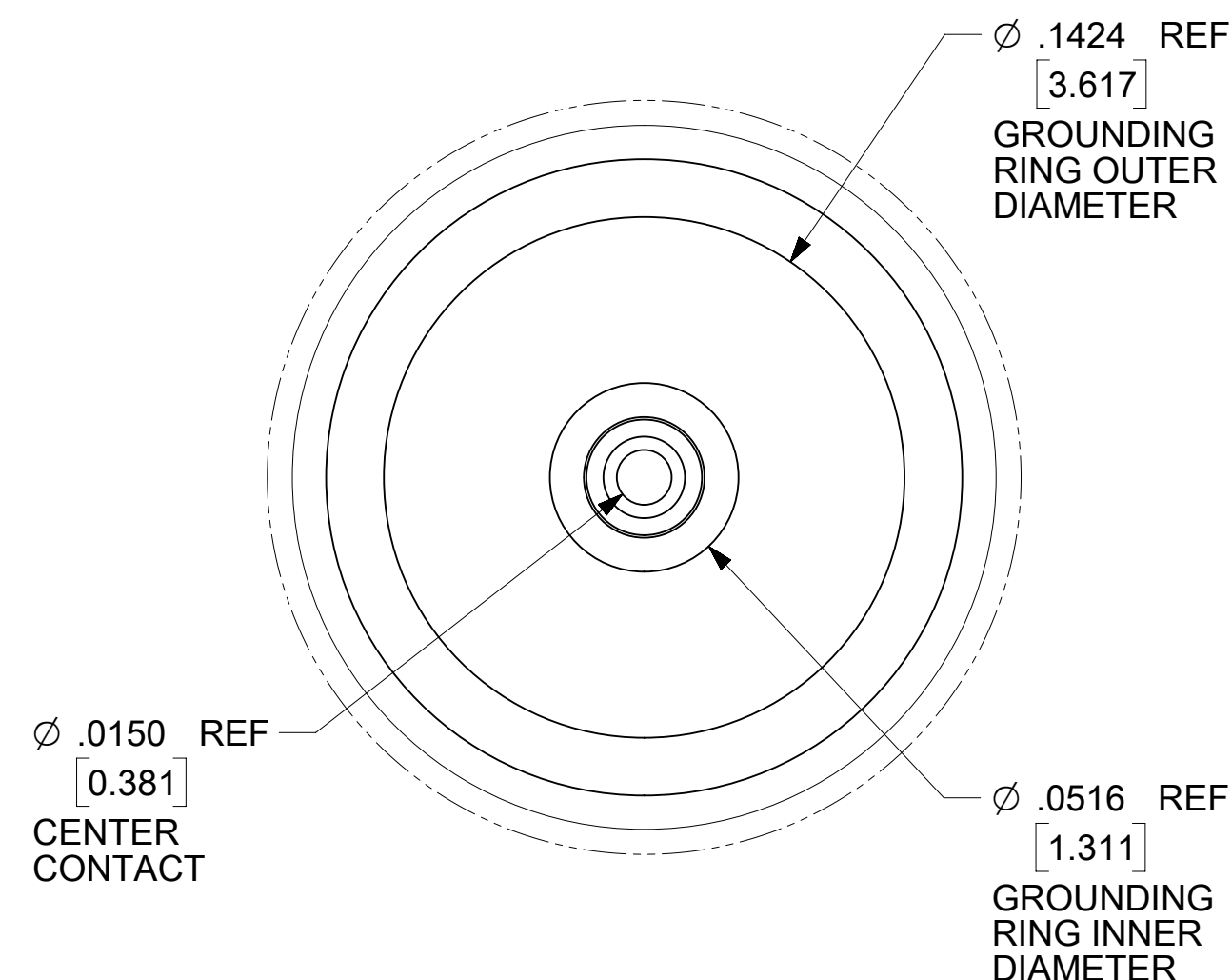
#0-80 UNF-2A THREAD TYP  
TORQUE TO 0.5 - 0.8 IN-LBS



FOR -0003



GENERAL PCB LAYOUT RECOMMENDATIONS  
FOR OPTIMIZED LAYOUTS CONTACT MOLEX ENGINEERING



DETAIL A

PART NO.	DESCRIPTION	PCB THICKNESS
73157-0003	WITH TWO .438 [11.13] SCREWS	.252 [6.40] TO .352 [8.94]
73157-0002	WITH TWO .250 [6.35] SCREWS	.077 [1.96] TO .157 [3.99]
73157-0001	WITH TWO .188 [4.76] SCREWS	.022 [0.56] TO .100 [2.54]
73157-0000	NO HARDWARE	N/A

QUALITY SYMBOLS	THIS DRAWING CONTAINS INFORMATION THAT IS PROPRIETARY TO MOLEX ELECTRONIC TECHNOLOGIES, LLC AND SHOULD NOT BE USED WITHOUT WRITTEN PERMISSION		DIMENSION UNITS	SCALE		
▽ = 0	EC NO: 116458 DRWN: LIMEIER CHKD: REV / APPR: AROBERTSON	2017/10/25 2017/10/27	mm	NTS		
▽ = 0			GENERAL TOLERANCES (UNLESS SPECIFIED)		DRWN BY DATE	
▽ = 0			MM	INCH	JLEE02	2012/10/24
▽ = 0			4 PLACES ±	±	CHK'D BY DATE	SSS
▽ = 0			3 PLACES ±	± 0.01	APPR BY DATE	JWIENER
▽ = 0			2 PLACES ±	± 0.25	ANGULAR TOL = 2.0	2013/07/01
▽ = 0			1 PLACES ±	±	DRAFT WHERE APPLICABLE MUST REMAIN WITHIN DIMENSIONS	DRAWING SIZE THIRD ANGLE PROJECTION
▽ = 0			0 PLACES ±	±	C	73157
☒ = 0					DOCUMENT NUMBER	
■ = 0					SD-73157-000	
▽ = 0			DOC TYPE	DOC PART		
				SHEET NUMBER		
				1 OF 1		

**molex**

1.85MM JACK PCB  
FIELD REPLACEABLE 50 OHM EWR-5044,  
1.85MM-JR/PCB

PRODUCT CUSTOMER DRAWING

SERIES: 73157 MATERIAL NUMBER: SEE TABLE CUSTOMER:

DOCUMENT NUMBER: SD-73157-000 DOC TYPE: PSD DOC PART: 001 SHEET NUMBER: 1 OF 1