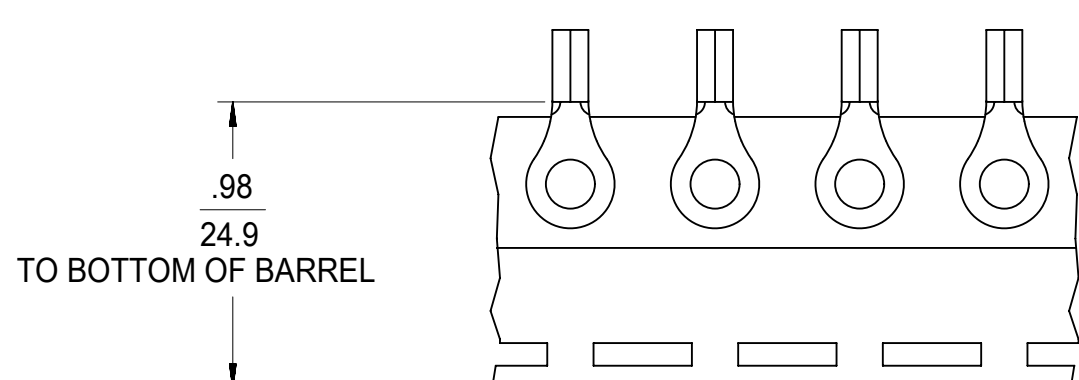
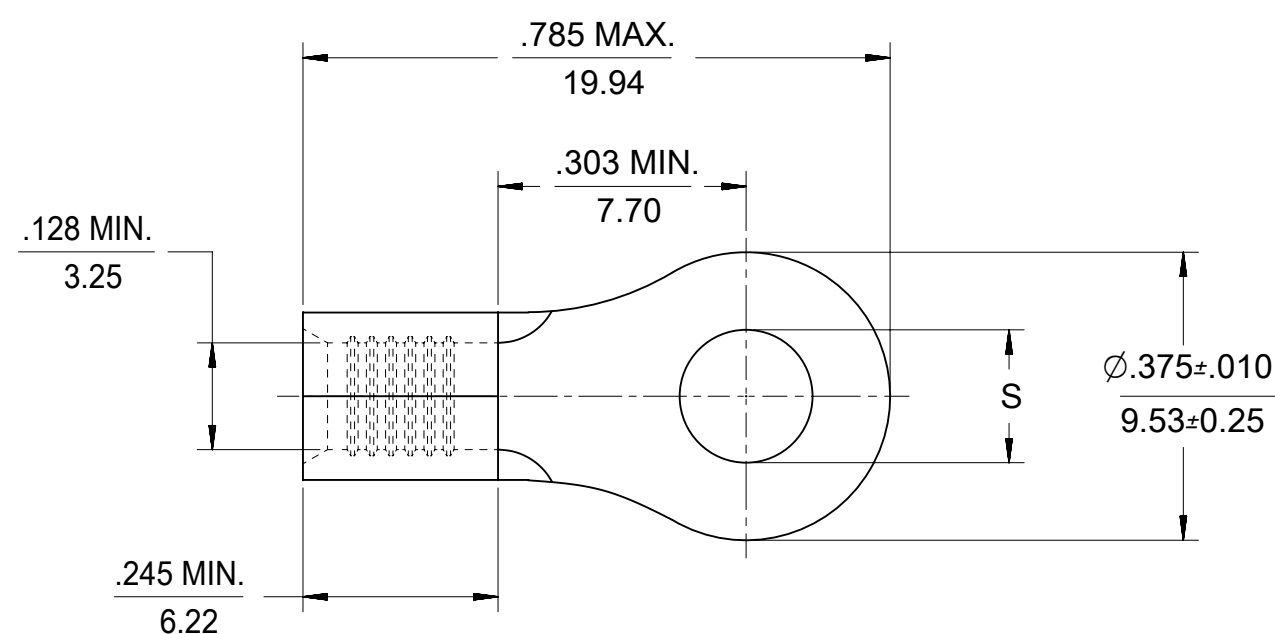


MAT'L NO. (LOOSE PIECE)	ENG. NO.	MAT'L NO. (TAPE MOUNTED)	ENG. NO.	STUD SIZE	"S" ±.005 (0.13)	STOCK THICKNESS	FINISH
190690200	C-128-04	190690147	C-128-04T	4	.126 (3.20)	COPPER .040 (1.02)	SEE NOTE 1
190690202	C-128-06	----- A2	-----	6	.146 (3.71)		
190690205	C-128-08	190690208	C-128-08T	8	.173 (4.39)		
190690209	C-128-10	190690212	C-128-10T	10	.198 (5.03)		
190690215	C-128-209	-----	-----	209	.209 (5.18)	NICKEL A2	NONE A2
192030159	C-U-128-06	----- A2	-----	6	.146 (3.71)		
192030160	C-U-128-08	----- A2	-----	8	.173 (4.39)		
192030113	C-U-128-10	192030114	C-U-128-10T	10	.198 (5.03)	COPPER .040 (1.02)	SEE NOTE 2
190690682	C-128-10-AU	-----	-----	10	.198 (5.03)		



- A2** NOTES:
1. FINISH: TIN PLATING, 100(2.5)µin(µm) MIN
  2. FINISH: GOLD, 50(1.25)µin(µm) MIN. OVER NICKEL, 50(1.25)µin(µm) MIN. PLATING.
  3. WIRE SIZE: 12-10 AWG, 4.0-6.0 MM<sup>2</sup>
  3. PARTS ARE RoHS COMPLIANT.

SYMBOLS		THIS DRAWING CONTAINS INFORMATION THAT IS PROPRIETARY TO MOLEX ELECTRONIC TECHNOLOGIES, LLC AND SHOULD NOT BE USED WITHOUT WRITTEN PERMISSION	
▽ = 0	DIMENSION UNITS	SCALE	CURRENT REV DESC: PLATING ERR ON DWG
▽ = 0	INCH/MM	1:1	
▽ = 0	GENERAL TOLERANCES (UNLESS SPECIFIED)		
▽ = 0		MM	INCH
▽ = 0	4 PLACES ±	±	EC NO: 621682
▽ = 0	3 PLACES ±	±	DRWN: DMYRICK 2019/07/26
▽ = 0	2 PLACES ±	±	CHK'D: GROJAS01 2019/08/13
▽ = 0	1 PLACE ±	±	APPR: GROJAS01 2019/08/13
▽ = 0	0 PLACES ±	±	INITIAL REVISION:
□ = 0	ANGULAR TOL ± °		DRWN:
■ = 0	DRAFT WHERE APPLICABLE MUST REMAIN WITHIN DIMENSIONS		APPR:
▽ = 0	THIRD ANGLE PROJECTION	DRAWING	SERIES
	⊕	B-SIZE	19069
		MATERIAL NUMBER	CUSTOMER
		SD-19069-020	GENERAL MARKET
		DOCUMENT NUMBER	DOC TYPE   DOC PART   REVISION
			PSD   001   A2
			SHEET NUMBER
			1 OF 1