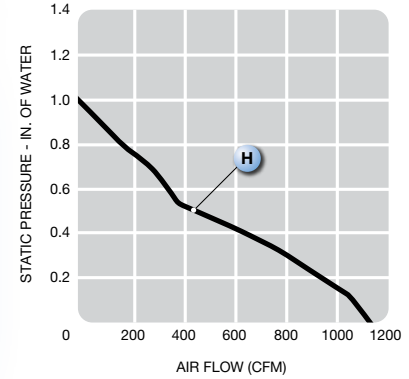
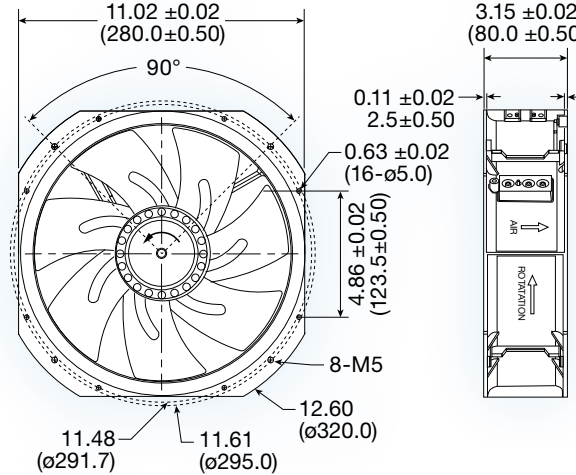


# MM28080H series\*



**(280 dia. x 80 mm)**  
11.02 dia. x 3.15 inches

- Construction: magnesium alloy impeller & frame
- Bearing option: ball bearing
- Connection: terminal
- Frame: flanged
- Protection: thermal
- Options: tachometer output or locked rotor alarm signal

Model No.	Rated Voltage V	Current mA		Speed RPM	Air Volume		Max. Static Pressure (H <sub>2</sub> O)		Sound Noise dbA	Weight kg
		24	48		M <sup>3</sup> /Min.	CFM	MM	INCH		
<b>MM28080H</b>	24/48	5200	2600	3,000	32	1130	25.40	1.0	65	1.60

\*Not to be used for new designs

