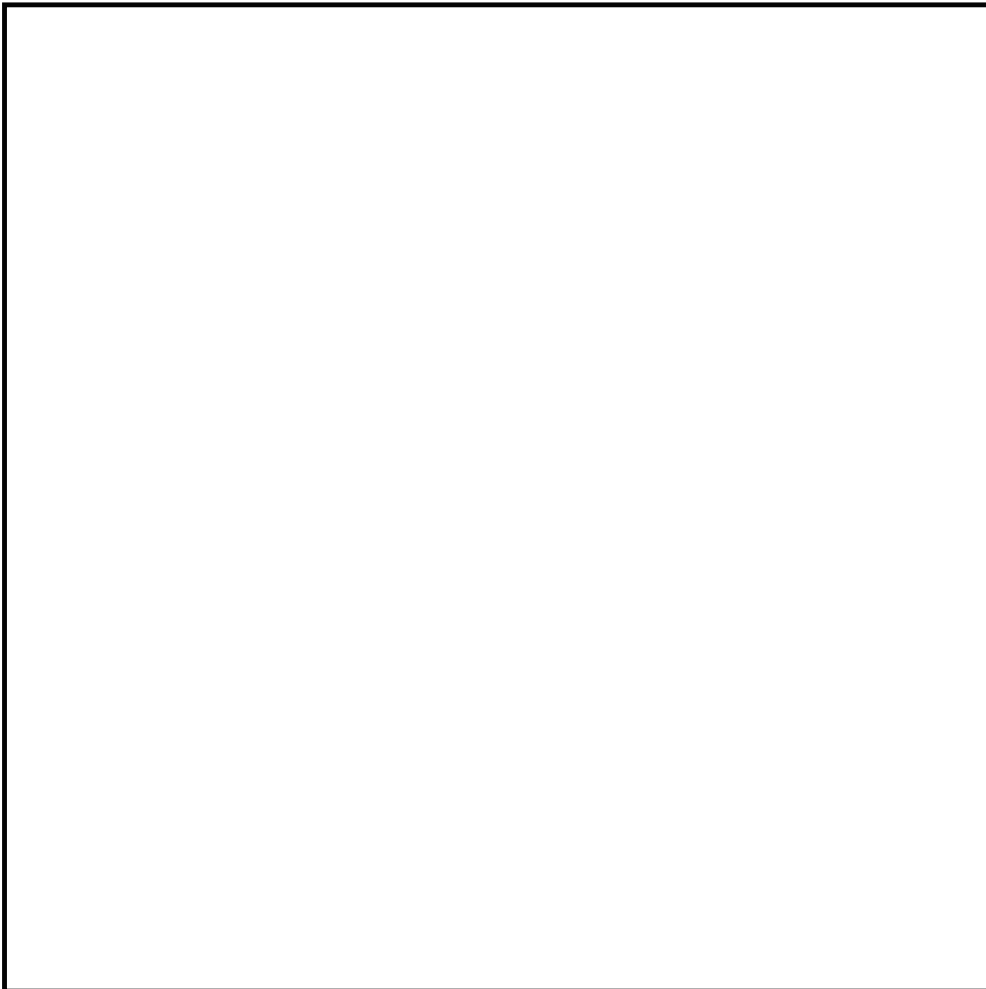


BAE SA-OH-039-PP-DV02

Bestellcode: BAE00NL

3D-View



[Link](#) Balluff Webseite

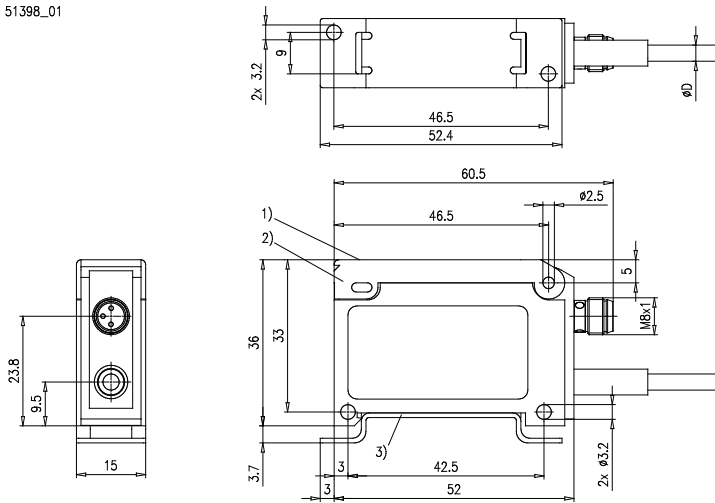
BAE SA-OH-039-PP-DV02
Bestellcode: BAE00NL

BALLUFF

Dimension

E-PLAN

51398_01



Availability	Available
Order code	BAE00NL
Product identifier	BAE SA-OH-039-PP-DV02
Product view	51398_01
IO Device Description	
Weight	72 g
Customs number	85437090
Dimensions	15 x 36 x 61 mm
Mounting	screw M3;DIN rail 35 mm
Special application areas	Narrow installation space.
Housing material	ABS
Approval/Conformity	CE;EAC;WEEE
Product group	Amplifiers for sensor heads
Protection degree	IP65
Manual DE	https://assets.balluff.com/WebBinary1/MAN_BAE_SA_OH_035_039_PREMIUM_DE_EN_L14_DRW_913948_02_000.pdf
Manual EN	https://assets.balluff.com/WebBinary1/MAN_BAE_SA_OH_035_039_PREMIUM_DE_EN_L14_DRW_913948_02_000.pdf