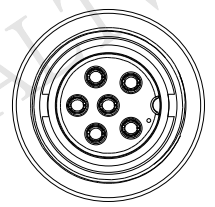
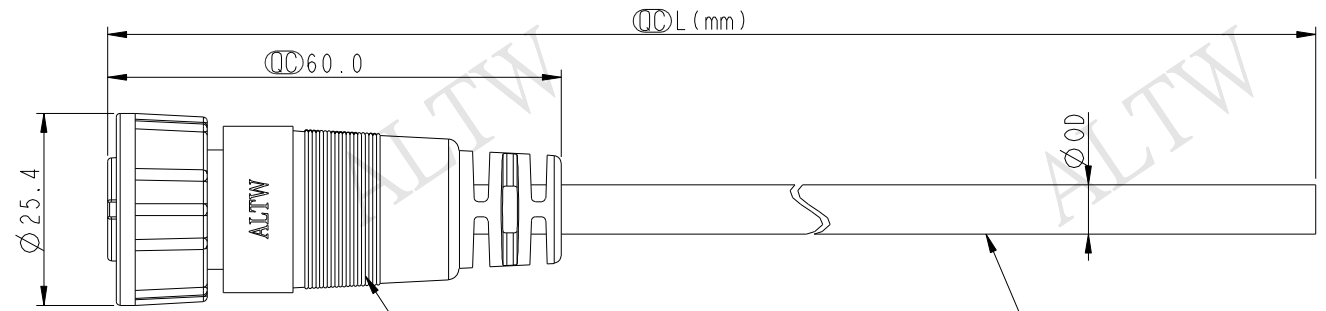


THIS DOCUMENT IS SUBJECT TO CHANGE WITHOUT NOTICE. IT IS CONFIDENTIAL AND A PROPERTY OF Amphenol LTW. DISCLOSURE TO THIRD PARTY HAS TO BE AUTHORIZED BY Amphenol LTW.

REV.	ECN NO.	DATE	SIGN	DESCRIPTION



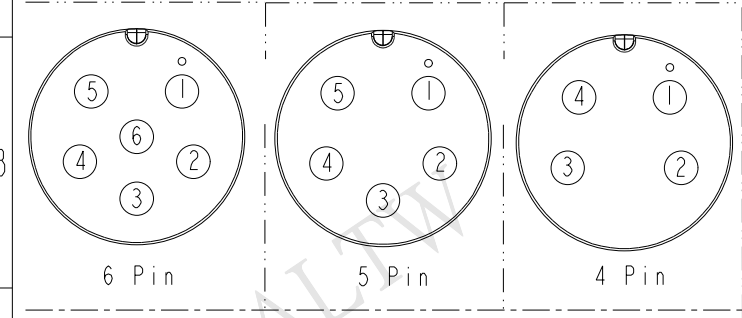
Conn.



- 1 ACB-XXAFFM-SL7000
Color: Black
- 2 Cable

6P	PVC	6.5	20	ACB-06AFFM-SL7AXX
5P		6.0		ACB-05AFFM-SL7AXX
4P		5.5		ACB-04AFFM-SL7AXX
Contacts	Cable Jacket	Cable OD	AWG	Item No.

6	Gray 灰	5	Green 綠	4	White 白
5	Yellow 黃	4	White 白	3	Black 黑
4	Green 綠	3	Black 黑	2	Blue 藍
3	White 白	2	Blue 藍	1	Brown 棕
2	Blue 藍	1	Brown 棕		
1	Brown 棕				
Pin #	Wire	Pin #	Wire	Pin #	Wire
Pin In		Pin Out		Pin In	



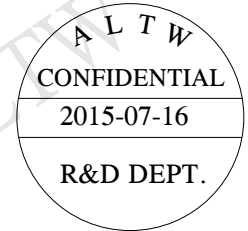
Pin Assignments Front View

ACB-XXAFFM-SL7AXX

04: 4Pin
06: 6Pin

XX : 01~99Meters
01 : 01Meter
02 : 02Meters
...
99 : 99Meters

Cable Length(L): 01~99Meters



Note:

- * \varnothing Important Dimension To Check.
- * Waterproof Rate: IP67
- * Housing: Nylon+GF, Black.
- * Female Pin: Copper Alloy, Gold Plated.
- * Screw Nut: Nylon+GF, Black.
- * Cable: UL2464 20AWG+D+Al/My PVC Jacket UV Resistant, Black.
- * Cable Length Tolerance: 01M: 40mm
02M~05M: ±60mm
06M~10M: ±100mm
11M~30M: ±200mm
31M~99M: ±500mm

UNIT:mm		TITLE MIDDLE CABLE SCREW F CONN F PIN	
TOLERANCE	±0.5	SCALE 1:1	SIZE A4
		REV. A	WC-REV. A.1
		SHEET 1 OF 1 QC: Inspection item	

Amphenol LTW
安費諾亮泰企業股份有限公司

ITEM NO	DRAWN BY Jinhai	DATE 2015-07-16
DWG NO ACB-XXAFFM-SL7AXX	CHECKED BY Rensong	DATE 2015-07-16
CUSTOMER ALTW	APPROVED BY Jerry	DATE 2015-07-16