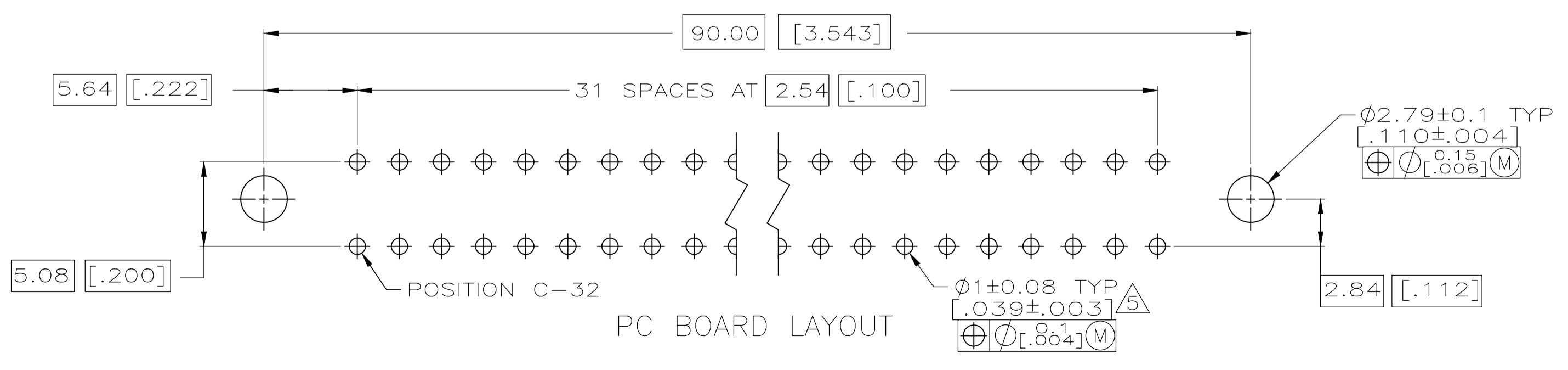
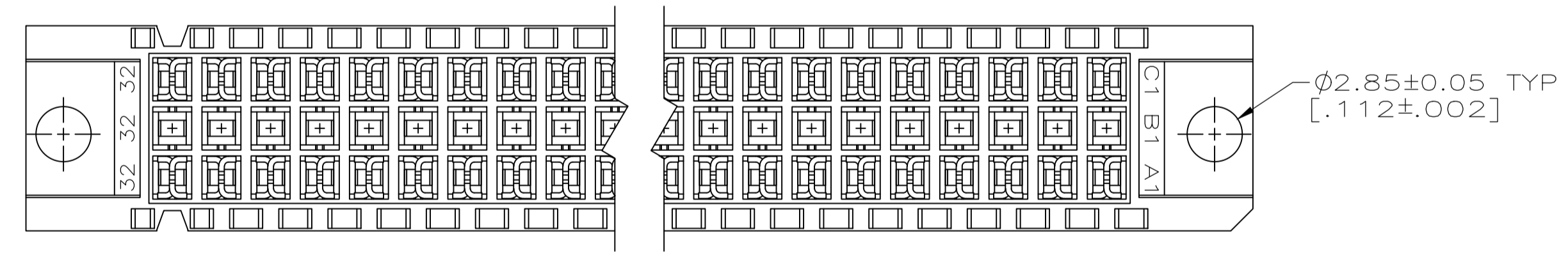
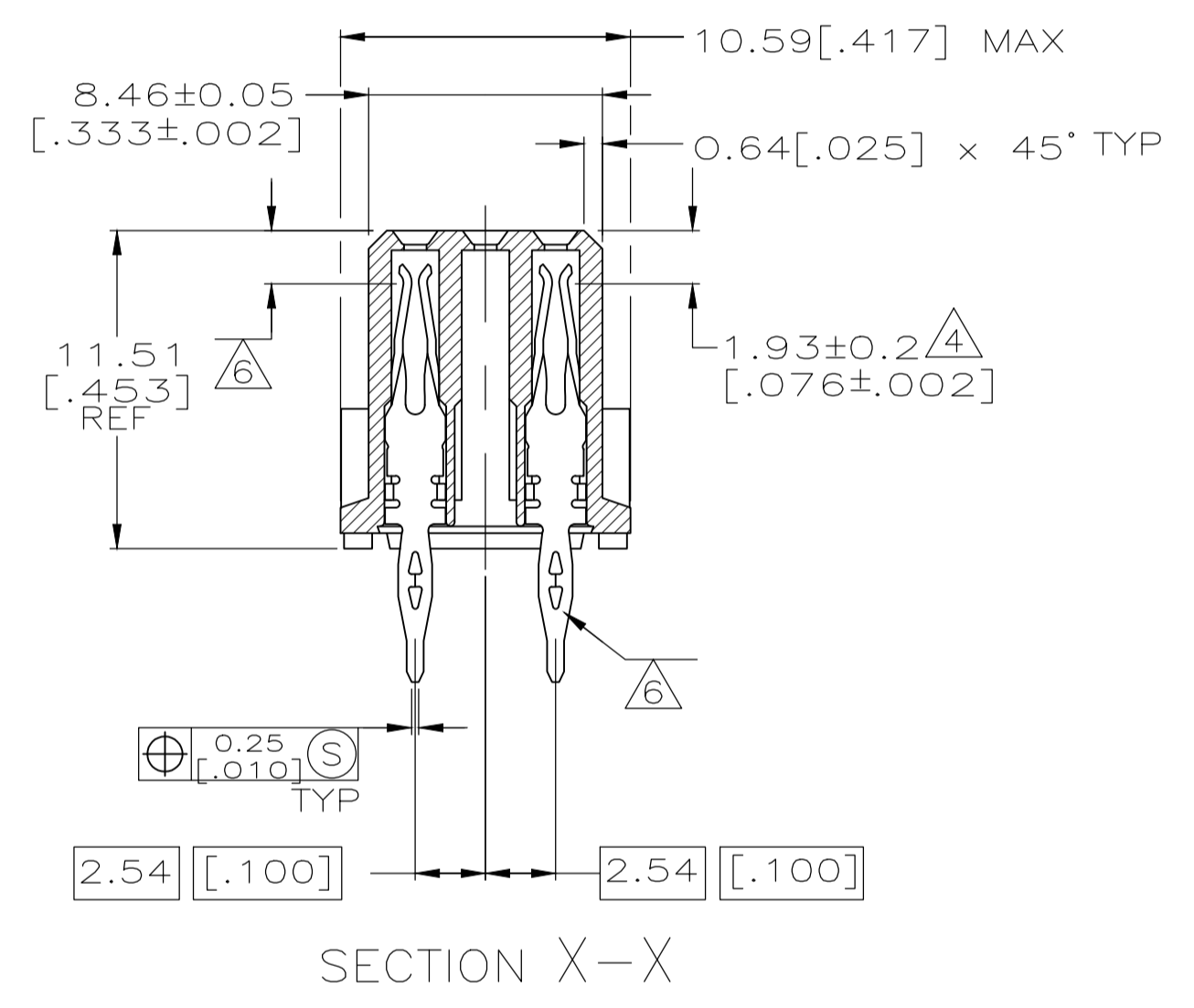
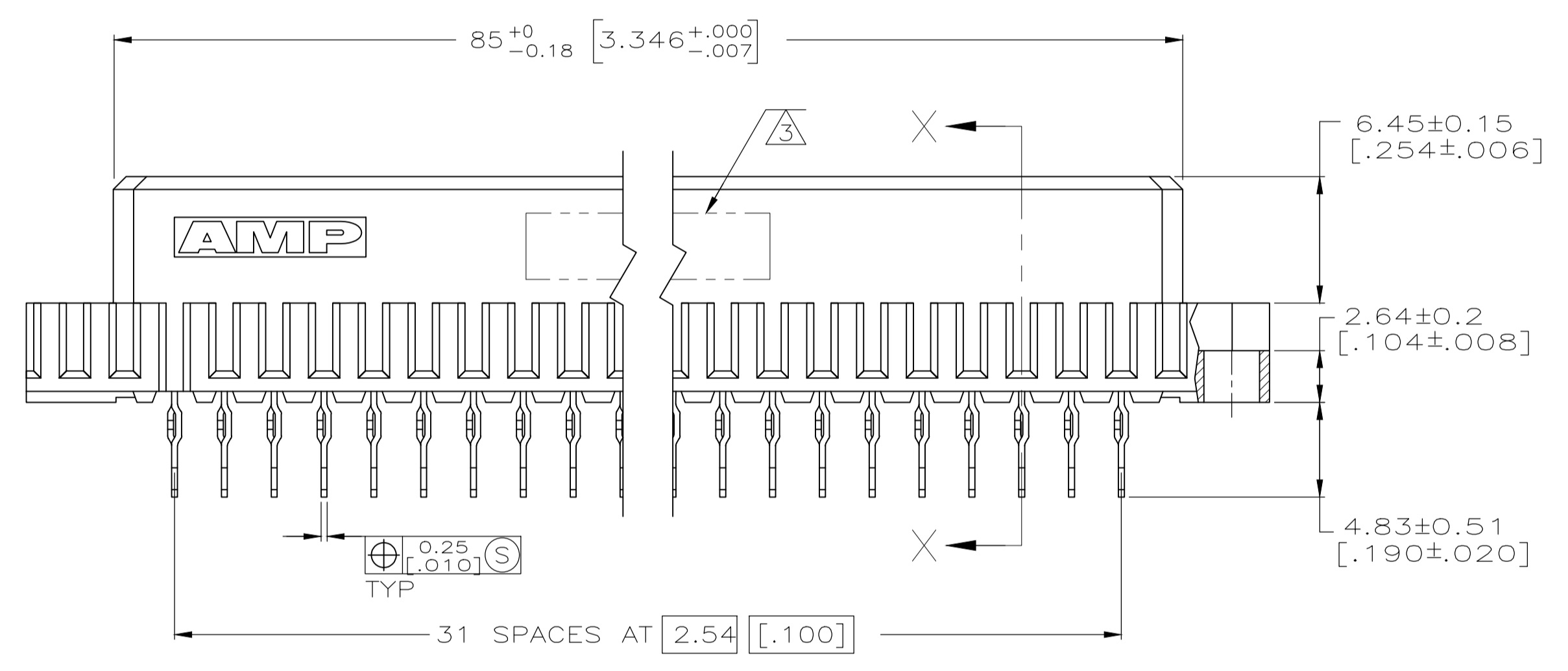
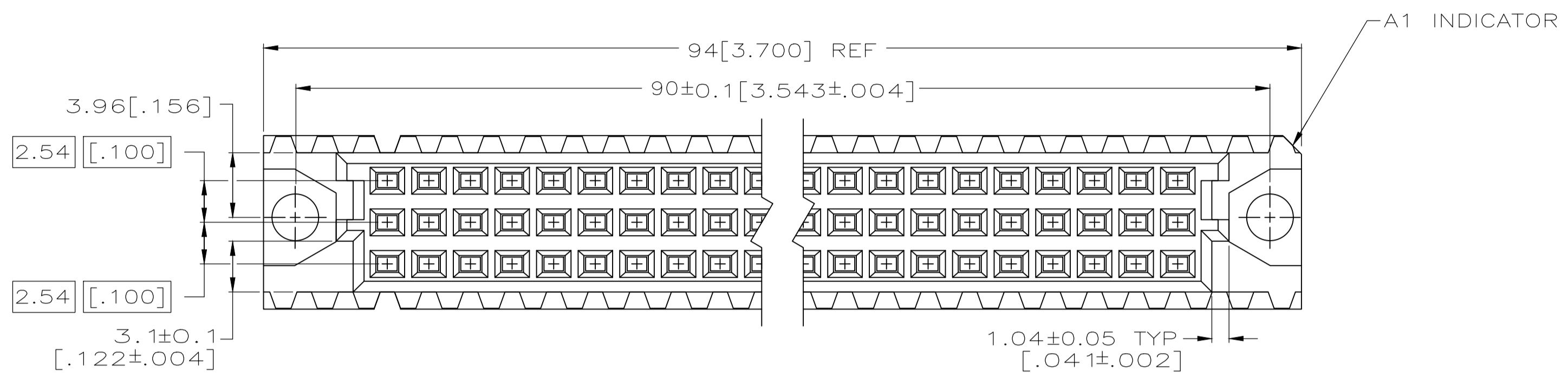


REVISIONS				
P	LTR	DESCRIPTION	DATE	BY
A		REVISED PER ECO-20-002189	16MAR2020	SY HL

- ① HOUSING MATERIAL: GLASS-FILLED POLYMER.
- ② CONTACT MATERIAL: COPPER ALLOY.
- ③ PART NUMBER, DATE CODE IDENTIFICATION, CSA LOGO IN THIS APPROXIMATE AREA.
- ④ POINT OF MEASUREMENT FOR GOLD.
- ⑤ ACTION PIN POSTS REQUIRE .157[.062] MIN THICK PC BOARD. RECOMMENDED PC BOARD HOLES ARE $\varnothing .151 \pm 0.2 [.0453 \pm .001]$ DRILLED HOLE WITH $0.2-0.07 [.001-.003]$ COPPER AND $0.008 [.0003]$ MIN TIN-LEAD PLATING. FINISHED HOLE AFTER PLATING, $\varnothing .94-1.09 [.037-.043]$.
- ⑥ CONTACT FINISH: DIN 41612 CLASS 2 ON CONTACT AREA. TIN PLATE ON POSTS.



OBsolete	⑥	1 THRU 32	X	=	X	64	5535059-5
	⑥	1 THRU 32	X	-	X	64	5535059-4
		FINISH	C	B	A	NO. OF LOADED POSITIONS	ASSY PART NUMBER

THIS DRAWING IS A CONTROLLED DOCUMENT.		DIN J. POLIGNONE 03JUN05	 TE Connectivity
DIMENSIONS: mm [INCHES]		CHK: A. SHARPE 03JUN05	
TOLERANCES UNLESS OTHERWISE SPECIFIED:		APVD: A. SHARPE 03JUN05	NAME: ASSY, REC, EUROCARD, TYPE C, LEAD-FREE, 64/96 POS, 4.83 TOOLLESS PRESS-FIT,
0 PLC ± - 1 PLC ± - 2 PLC ± 0.13[.005] 3 PLC ± - 4 PLC ± - ANGLES ± -		APPLICATION SPEC	SIZE: A1 00779
MATERIAL: ①②		FINISH: ⑥	WEIGHT: 0.000000
			DRAWING NO: 5535059
			CUSTOMER DRAWING
			SCALE: 4:1
			SHEET 1 OF 1
			REV A