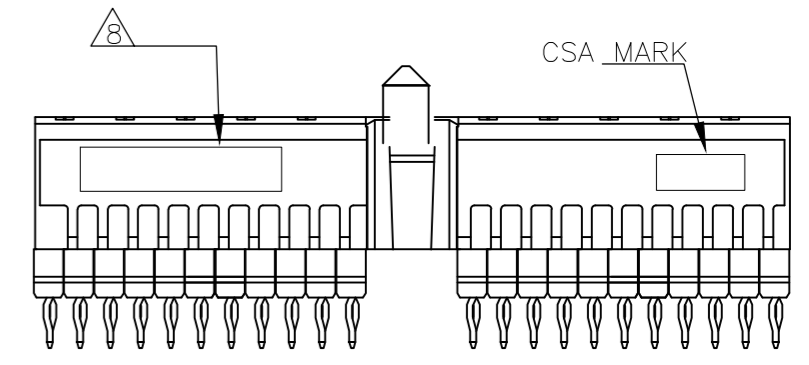
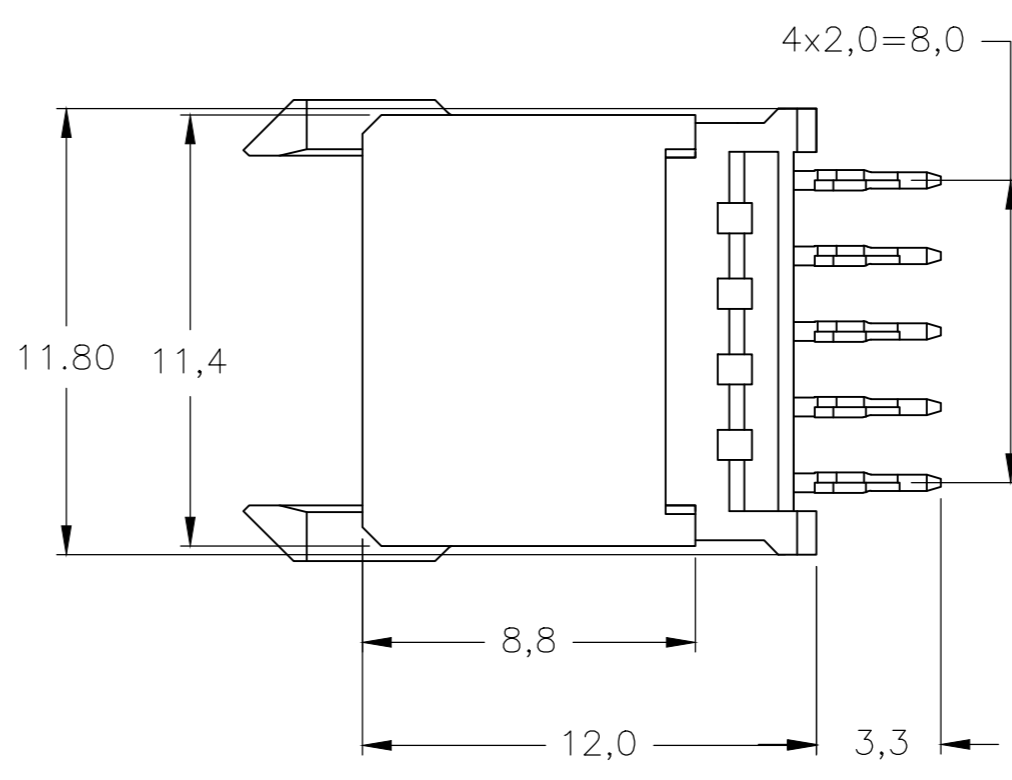
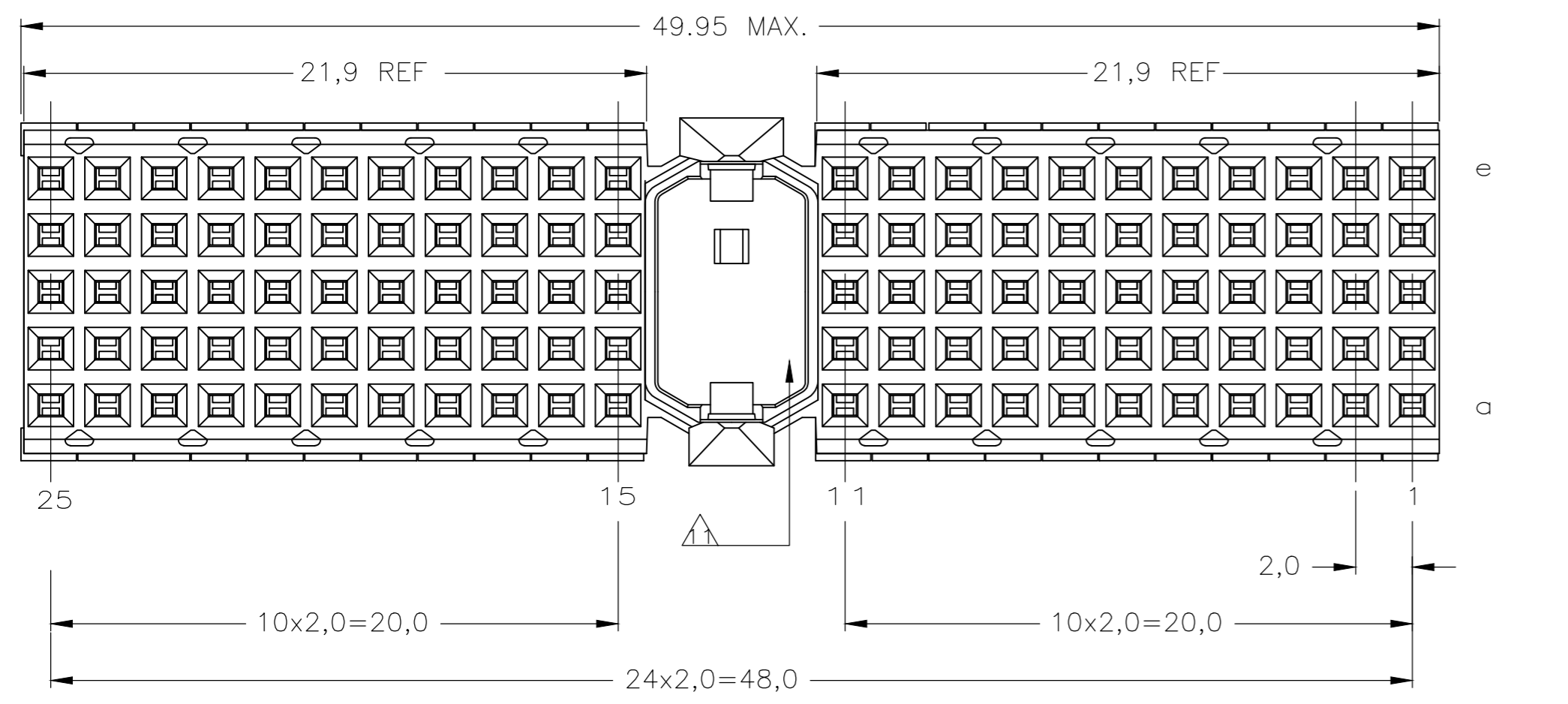
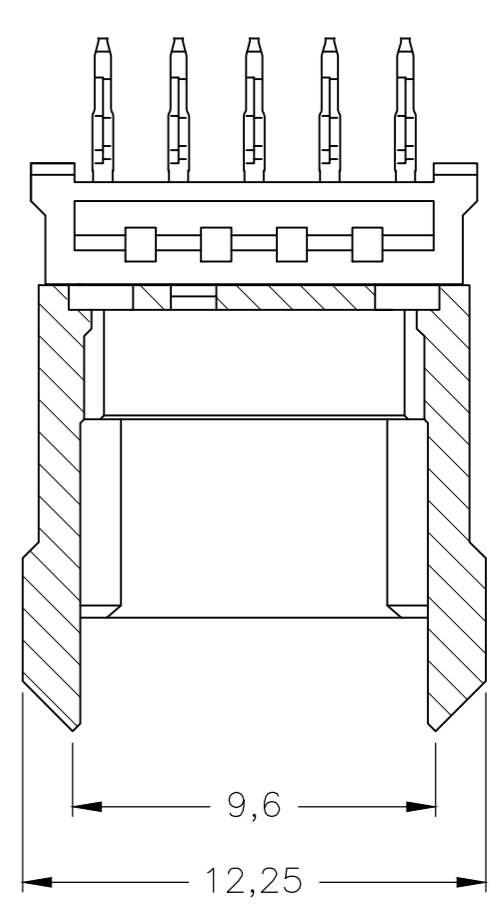
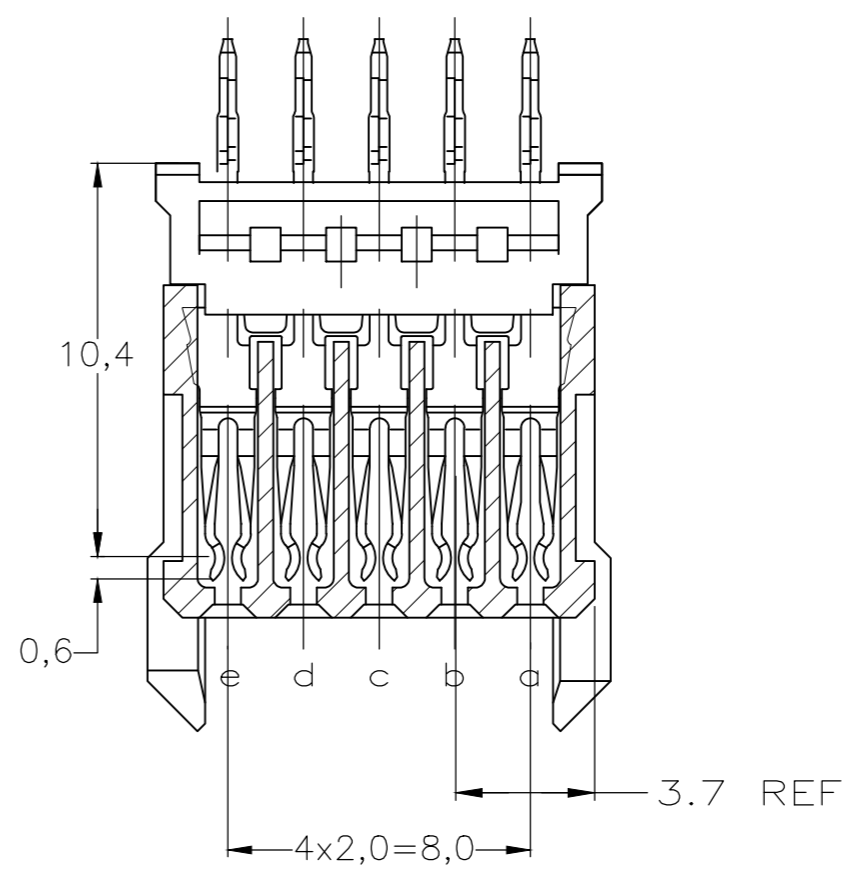
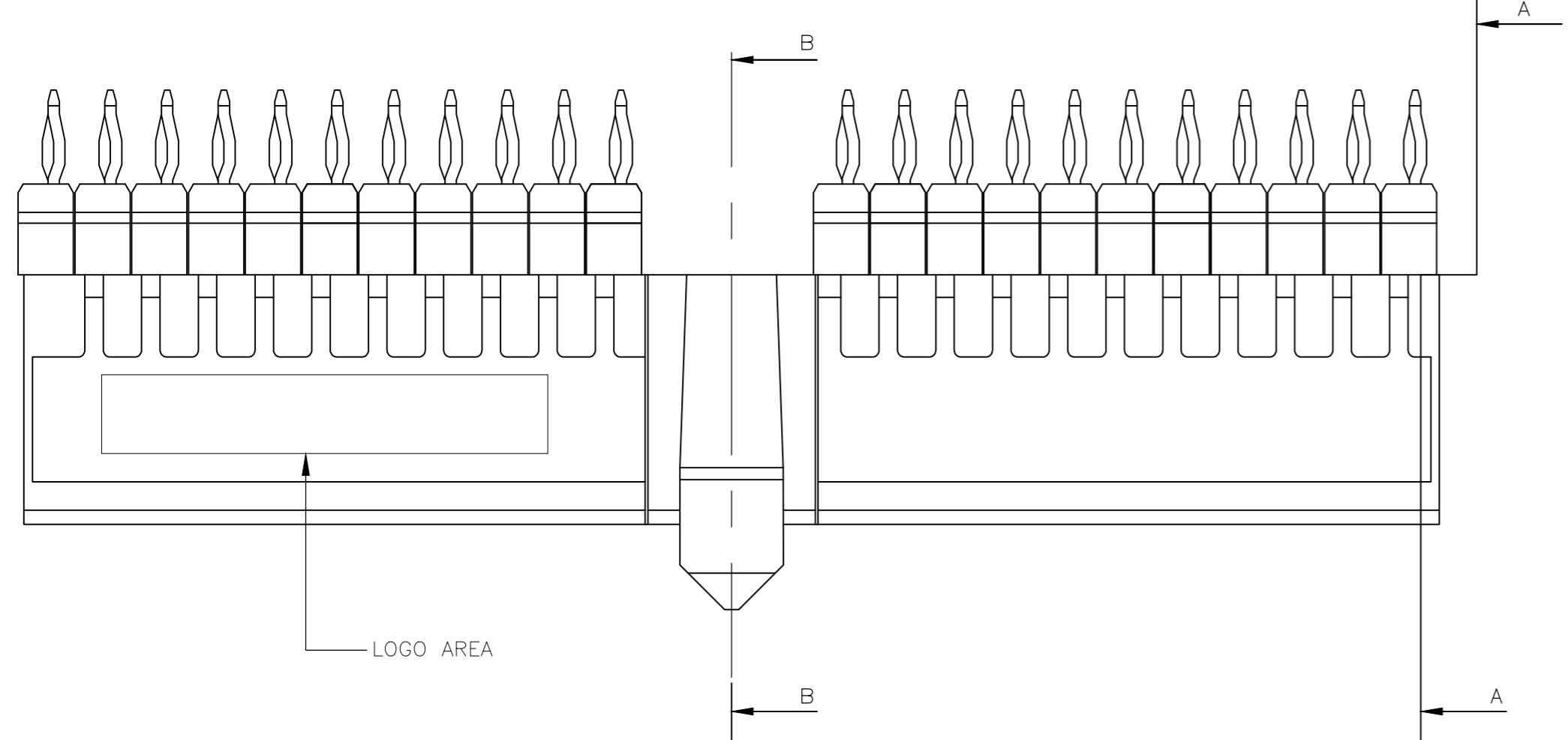
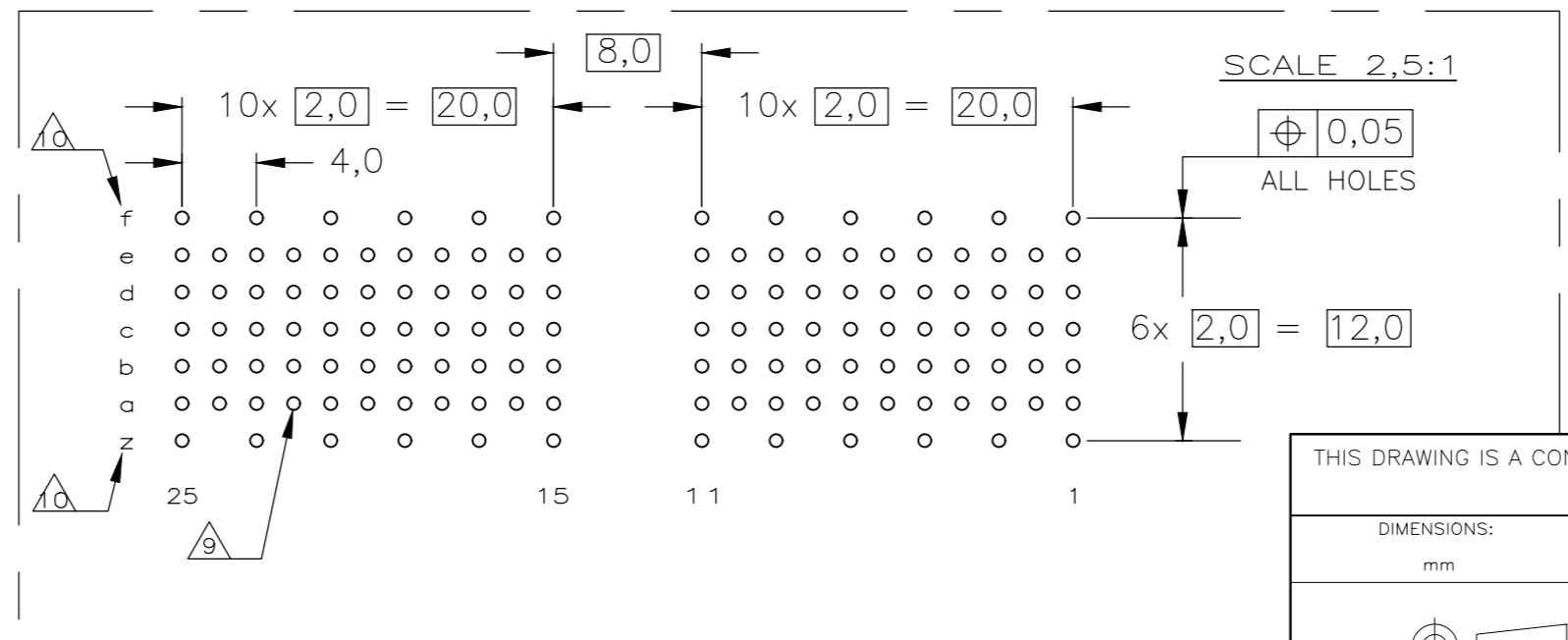


THIS DRAWING IS UNPUBLISHED. RELEASED FOR PUBLICATION  
 © COPYRIGHT - By - ALL RIGHTS RESERVED.

| REVISIONS |     |                           |           |         |
|-----------|-----|---------------------------|-----------|---------|
| P         | LTR | DESCRIPTION               | DATE      | APVD    |
| K2        |     | REVISED PER ECO-19-002730 | 02AUG2019 | A.S H.L |



- NOTES:**
- 1 MATERIAL CONTACT: PHOSPHORBRONZE  
MATERIAL HOUSING: GLASSFILLED POLYESTER  
UL-RATING 94V0 (GRAY).
  - 2 GENERAL PLATING SPECIFICATION: UNDERPLATING (ENTIRE CONTACT):  
1,27µm NICKEL MIN. AND ACTION PIN: 0,5µm TIN MIN.  
FOR PLATING OF MATING SURFACES SEE APPLICABLE  
SPECIFICATION REFERENCE FOR EACH DASH NUMBER.
  - 3 CONFORMS TO ALL TESTING ACCORDING IEC 61076-4-101  
PERFORMANCE LEVEL 2.
  - 4 CONFORMS TO ALL TESTING ACCORDING IEC 61076-4-101  
PERFORMANCE LEVEL 1.
  - 5 CONNECTOR TESTED AND QUALIFIED AGAINST TELCORDIA GR-1217-CORE  
QUALITY LEVEL III, CENTRAL OFFICE APPLICATIONS.
  - 6 CONNECTOR TESTED AND QUALIFIED AGAINST TELCORDIA GR-1217-CORE  
QUALITY LEVEL III, UNCONTROLLED ENVIRONMENT APPLICATIONS.
  - 7 CONNECTOR LUBRICATED WITH TELCORDIA GR-1217-CORE  
APPROVED LUBRICANT.
  - 8 CONNECTOR PRINTED WITH PARTNUMBER AND DATECODE.
  - 9 PLATED-THROUGH HOLES AT 2x2mm SQUARE GRID (110 HOLES).
  - 10 HOLES IN ROW f AND z FOR POSSIBLE FUTURE USE OF  
GROUND RETURN SHIELD. (SHIELDS NOT YET TOOLED)
  - 11 AREA RESERVED FOR KEYING PART (BASIC P.N.:100526).
  - 12 0.76µm MIN GOLD PLATING AT MATING SURFACE.



COMPONENT SIDE AS SHOWN  
 RECOMMENDED PCB-HOLE LAY-OUT

P.C.B. HOLE DIM. ACTION PIN  
 FOR DETAILS SEE  
 APPLICATION SPECIFICATION

|                                        |   |           |           |
|----------------------------------------|---|-----------|-----------|
| THIS DRAWING IS A CONTROLLED DOCUMENT. |   | DWN       | 12AUG2004 |
| DIMENSIONS:                            |   | CHK       | 27OCT2004 |
| mm                                     |   | APVD      | 27OCT2004 |
| TOLERANCES UNLESS OTHERWISE SPECIFIED: |   | NAME      |           |
| 6-PLC                                  | ± | K.N.KIRAN |           |
| 1-PLC                                  | ± | B.MOOIJ   |           |
| 2-PLC                                  | ± | B.MOOIJ   |           |
| 3-PLC                                  | ± | 108-19082 |           |
| 4-PLC                                  | ± | 114-19029 |           |
| ANGLES                                 | ± | 108-19082 |           |
| FINISH                                 | - | 114-19029 |           |
| MATERIAL                               | - | 114-19029 |           |

|          |        |          |             |
|----------|--------|----------|-------------|
| OBSOLETE | 3      |          | 3-5106773-0 |
| OBSOLETE | 6      |          | 1-5106773-9 |
|          | 3      |          | 5106773-9   |
| OBSOLETE | 3      |          | 5106773-4   |
|          | 3      |          | 5106773-1   |
|          | FINISH | MATERIAL | PARTNUMBER  |

|                  |           |                                                                        |               |
|------------------|-----------|------------------------------------------------------------------------|---------------|
| TE Connectivity  |           | Z-PACK 2mm HM TYPE A<br>110 POS. VERTICAL FEMALE<br>CONNECTOR ASSEMBLY |               |
| SIZE             | CAGE CODE | DRAWING NO                                                             | RESTRICTED TO |
| A2               | 00779     | C=5106773                                                              | -             |
| CUSTOMER DRAWING |           | SCALE                                                                  | SHEET         |
|                  |           | 5:1                                                                    | 1 of 1        |
|                  |           | REV                                                                    | K2            |