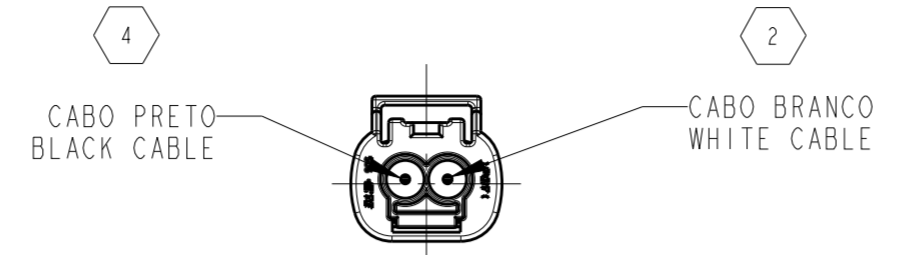
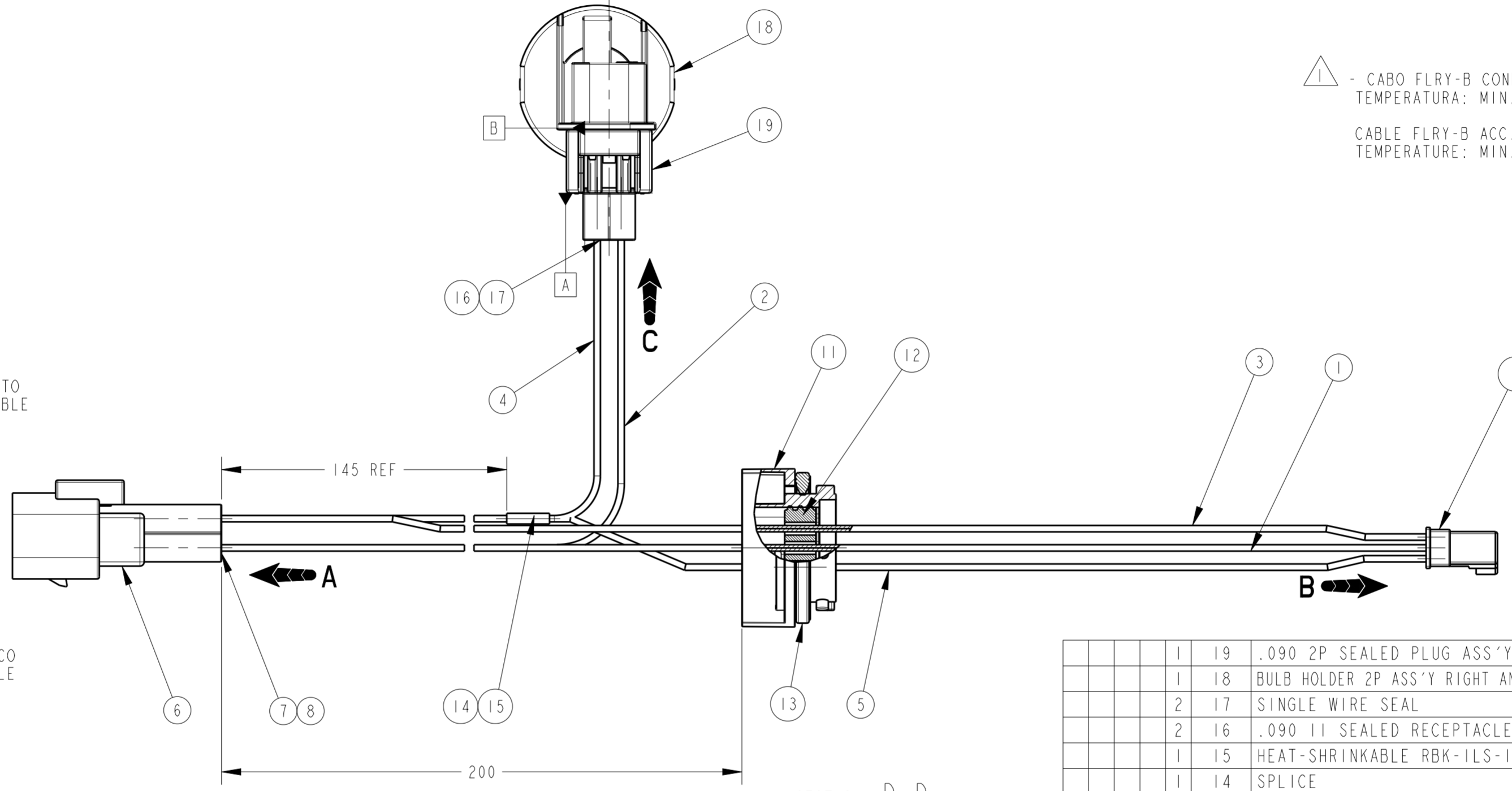
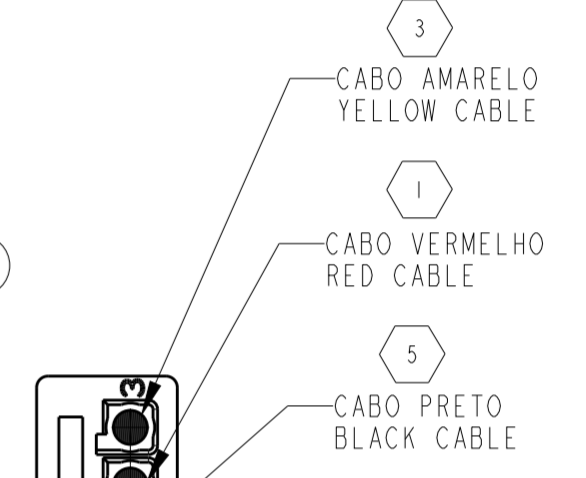
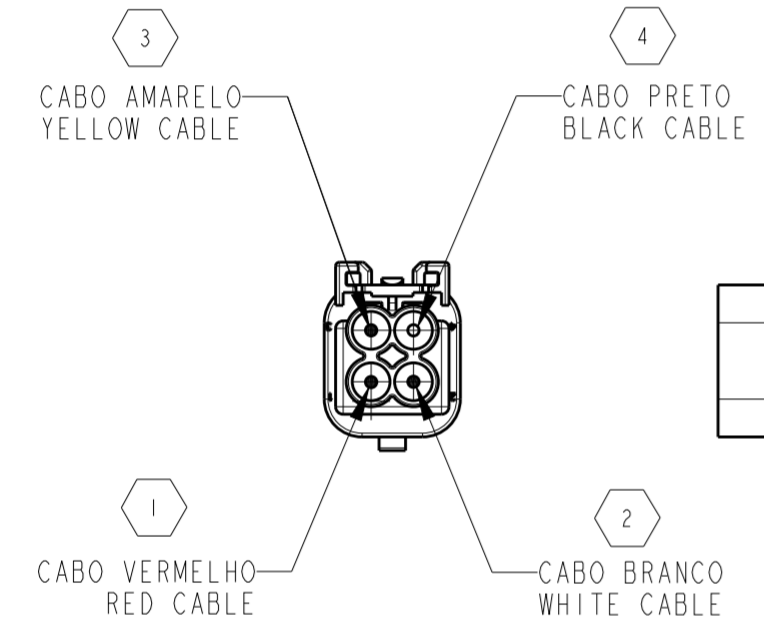


THIS DRAWING IS UNPUBLISHED. RELEASED FOR PUBLICATION 20
 © COPYRIGHT 20 ALL RIGHTS RESERVED.

LOC	DIST	REVISIONS					
AP	-	P	LTR	DESCRIPTION	DATE	DWN	APVD
		A		CHANGE STATUS ECO-12-001364	23JAN2012	NCL	WAO
		B		REVISED DESIGN ECO-13-002969	21FEB2013	NCL	WAO
		C		REVISED BY ECO-16-003600	21MAR2016	LAA	RPS

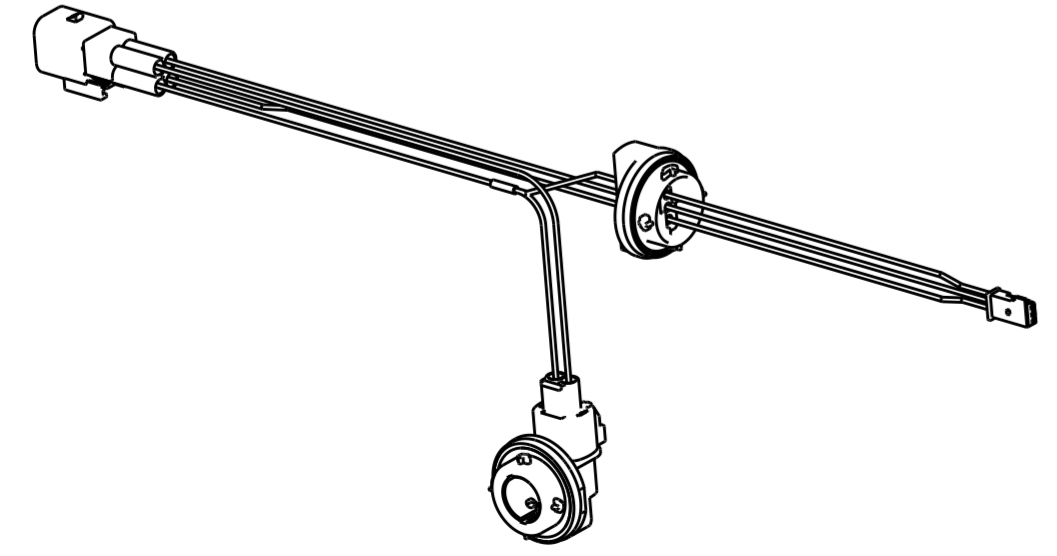


△ - CABO FLY-B CONF. DIN 72551 PARTE 6 TIPO B
 TEMPERATURA: MIN. -40° C / MAX. 105° C
 CABLE FLY-B ACC. TO DIN 72551 PART 6 TYPE B
 TEMPERATURE: MIN. -40° C / MAX. 105° C



CIRCUIT NUMBER	CABLES COLOR	CROSS SECTION (mm ²)	LENGTH (mm)	FUNCTION	NOTES
5	PRETO / BLACK	0,75	215	NEUTRO / GROUND	△
4	PRETO / BLACK	1,0	260	NEUTRO / GROUND	
3	AMARELO / YELLOW	0,75	360	POSIÇÃO / POSITION LAMP	
2	BRANCO / WHITE	1,0	260	PISCA / TURN SIGNAL	
1	VERMELHO / RED	0,75	360	LUZ DE FREIO / STOP LAMP	

ITEM	DESCRIPTION	NOTES
1	19 .090 2P SEALED PLUG ASS'Y NATURAL	— // —
1	18 BULB HOLDER 2P ASS'Y RIGHT ANGLE TYPE FOR AMBER BULB	— // —
2	17 SINGLE WIRE SEAL	— // —
2	16 .090 11 SEALED RECEPTACLE	— // —
1	15 HEAT-SHRINKABLE RBK-ILS-125-NR1-0	— // —
1	14 SPLICE	— // —
1	13 RUBBER SEAL FOR LAMP HOLDER CAP ASS'Y	— // —
1	12 WIRE SEAL, SINGLE ROW, REDUCED DIAMETER, AMPSEAL16	— // —
1	11 ADAPTER FOR GROMMET 03 WAY	— // —
3	10 MQS SOCKET CONTACT	— // —
1	9 MQS SOCKET HSG 3 POS	— // —
4	8 SINGLE WIRE SEAL	— // —
4	7 2.8 mm MCP-E TAB CONTACT	— // —
1	6 MCP-E SEALED 4P CAP ASSY	— // —
1	5 BLACK CABLE	△
1	4 BLACK CABLE	
1	3 YELLOW CABLE	
1	2 WHITE CABLE	
1	1 RED CABLE	



ProENGINEER
WILDFIRE 4D
DO NOT REVISE
EXCEPT BY CAD

THIS DRAWING IS A CONTROLLED DOCUMENT.

DIMENSIONS: mm

TOLERANCES UNLESS OTHERWISE SPECIFIED:
 0 PLC ±
 1 PLC ±
 2 PLC ±
 3 PLC ±
 4 PLC ±
 ANGLES ±
 FINISH

MATERIAL: VER TABELA

APPROVALS:
 DWN: M. A. SARTOR (13MAY2011)
 CHK: J. R. GOLDSCHMIDT (13MAY2011)
 APVD: W. O. LVEIRA (13MAY2011)

STE TE Connectivity

NAME: LANTERN HARNESS BODY SIDE

SIZE: A2 CAGE CODE: 00779 DRAWING NO: C-2133303 RESTRICTED TO: -

CUSTOMER DRAWING SCALE: 2:1 SHEET: 1 OF: 1 REV: C