

1

2

3

4

A

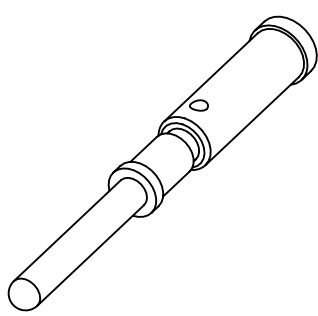
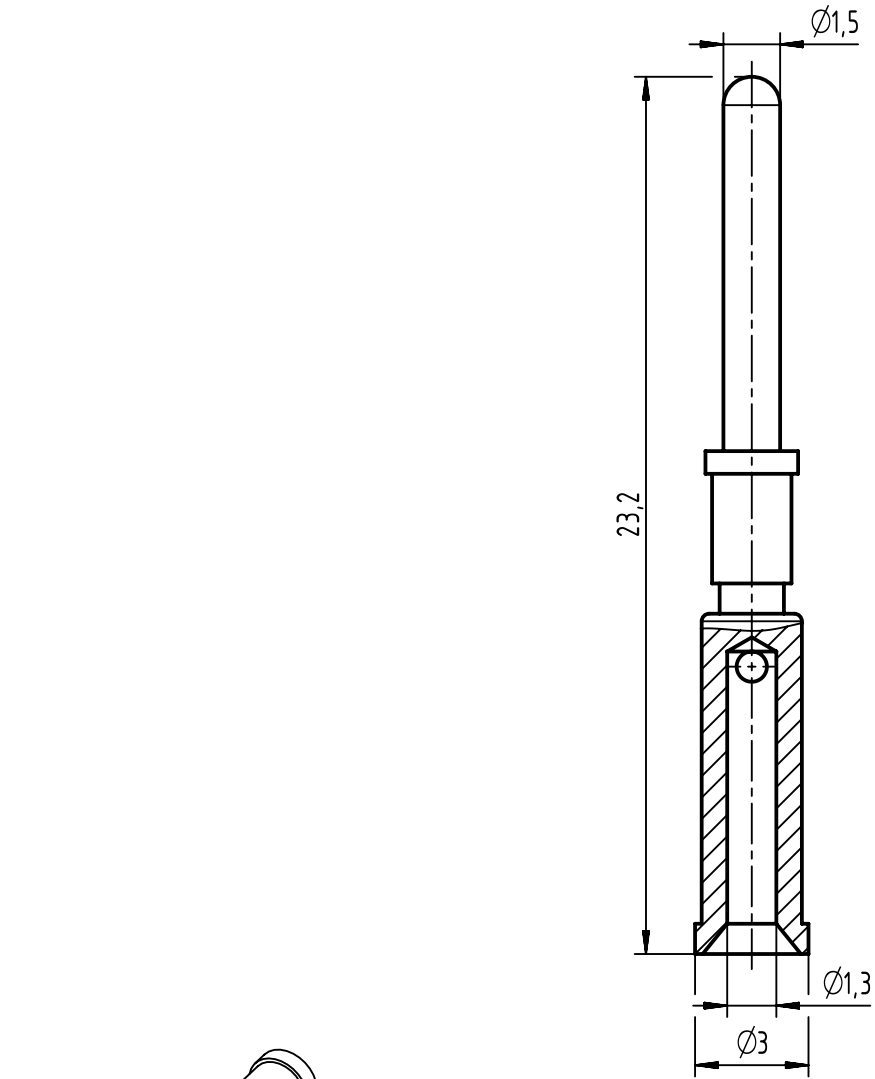
B

C

D

E

F



this crimp contact should be processed with:

locator 09990000638
 hand crimping tool 09990000509

surface			
pl	Ni (µm)	NiP (µm)	Au (µm)
1	min. 1,5	min. 1,5	min. 0,15

	All rights reserved		Created by BALSAN	Inspected by 402602	Standardisation SCHREIER	Date 2020-07-22	State Final Release
	Department EL PD		Title M12 Power Male crimp contact for Plug 0.75 sqmm			Doc-Key / ECM-Nr. 100610449/UGD/001/D 500000175652	
HARTING Electronics GmbH D-32339 Espelkamp		Type TB	Number 21011009924			Rev. D	Page 1/1