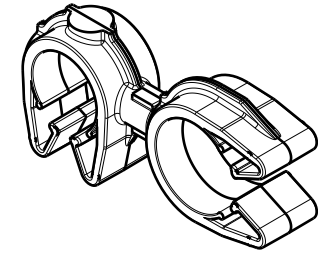
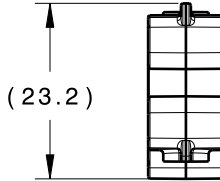
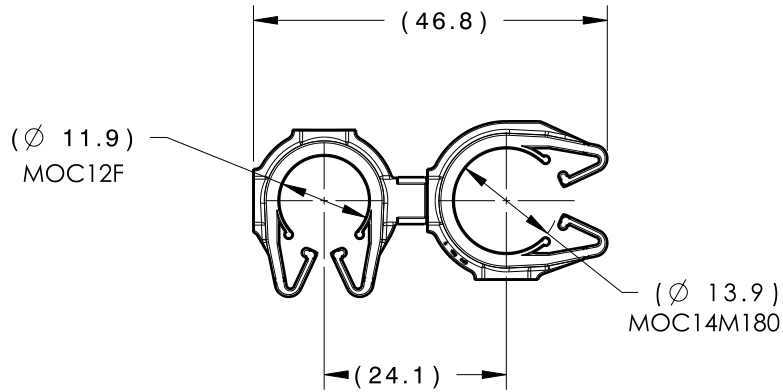
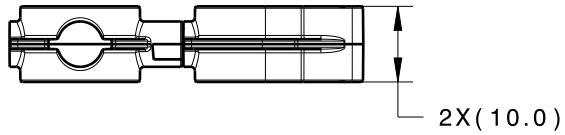
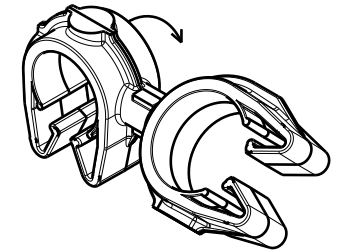


| Revision Level |                |      | Revision Record | Changed | Date       | Approved | Date       |
|----------------|----------------|------|-----------------|---------|------------|----------|------------|
| Drawing        | State          | Part |                 |         |            |          |            |
| 00.1           | Design Release | -    | SEE ECN# 014773 | TAT     | 11/30/2018 | EJH      | 11/30/2018 |



ISOMETRIC VIEW

CLIPS ROTATE  
360 DEGREES



ISOMETRIC VIEW  
ROTATED

| TYPE           | MOC12F          | MOC14M180       |
|----------------|-----------------|-----------------|
| HARNESS        | 11.5MM - 13.0MM | 13.0MM - 15.0MM |
| HOSE           | 10.5MM - 13.0MM | 13.0MM - 15.0MM |
| HARD PIPE/TUBE | 12.0MM - 13.8MM | 14.0MM - 15.8MM |

\*RECOMMENDED SIZES MAY DIFFER DEPENDING ON THE APPLICATION , PRODUCT REQUIREMENTS AND MATERIALS USED

\*\*PATENT PENDING 29/582,271

| GLOBAL PART DESCRIPTION        | MOC12F**        |             |       | MOC14M180**     |             |       |
|--------------------------------|-----------------|-------------|-------|-----------------|-------------|-------|
|                                | DRAWING         | MATERIAL    | COLOR | DRAWING         | MATERIAL    | COLOR |
| MOC12FMOC14M180-PA66HIRHSUV-BK | 16-0319-000-CSU | PA66HIRHSUV | BLACK | 16-0320-000-CSU | PA66HIRHSUV | BLACK |

|   |                                     |  |  |       |                 |  |                                    |                |         |  |
|---|-------------------------------------|--|--|-------|-----------------|--|------------------------------------|----------------|---------|--|
| Material<br>SEE CHART<br>COLOR: SEE CHART | Units                               | millimeters  | The copyright of this drawing is reserved by HellermannTyton. It is issued on condition that it is not reproduced, copied or disclosed to a third party, either wholly or in part, without the consent of HellermannTyton. | Drawn | CJR             | 8/28/18                                      | Article/Type-No<br>MOC12FMOC14M180 | Scale          | 1:1     |  |
|   | Tolerance defined on each dimension | Approved   |  | TAT   | 8/31/18         | Title<br>12MM MOC COUPLED TO A 14MM MOC M180 |                                    | Project Number | 16-0330 |  |
|   |                                     | <br>North America<br>Email: corp@htamericas.com<br>Web: www.hellermann.tyton.com |  |       | Drawing-No      |  | PRODUCTION : Phase                 | Format         | AH      |  |
|   |                                     |  |  |       | 16-0330-348-CSU |  | Sheet                              | 1/1            |         |  |