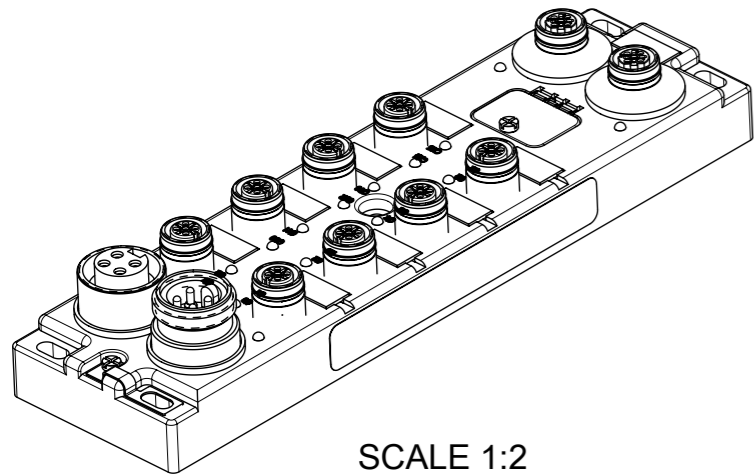


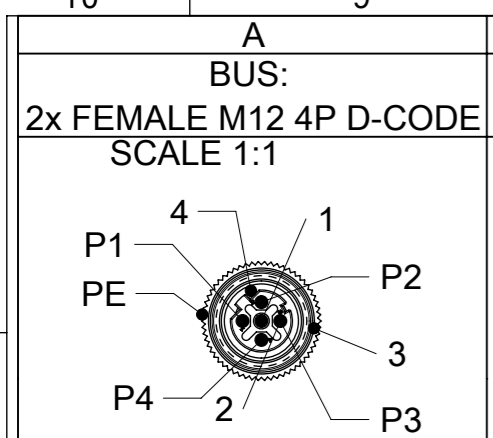
FIXING HOLES
SUITABLE FOR M5
SCREWS

FIXING HOLES
SUITABLE FOR M5
SCREWS

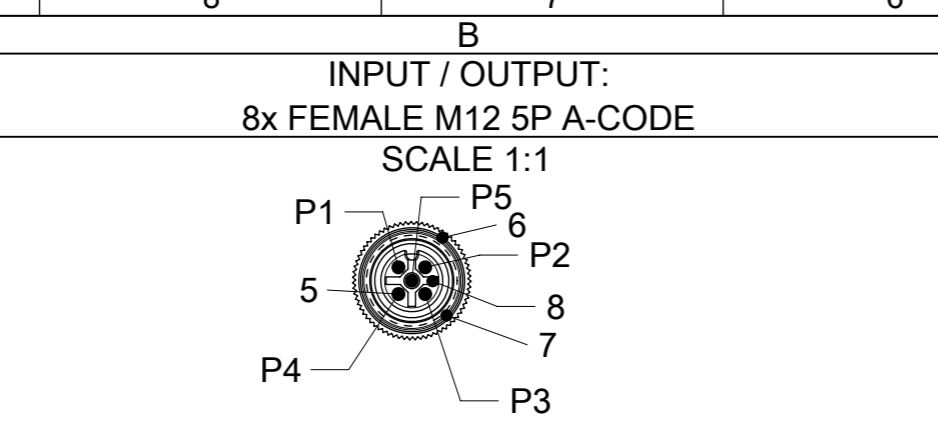


SCALE 1:2

THIS DRAWING CONTAINS INFORMATION THAT IS PROPRIETARY TO MOLEX ELECTRONIC TECHNOLOGIES, LLC AND SHOULD NOT BE USED WITHOUT WRITTEN PERMISSION														
DIMENSION UNITS		SCALE		CURRENT REV DESC: OBSOLETE PART NO.										
mm		1:1												
GENERAL TOLERANCES (UNLESS SPECIFIED)										IO:ENET/IP:IP67-60MM:8P5:16 DCONFIG U12 4P 2PT DC FE				
ANGULAR TOL ± °				PRODUCT CUSTOMER DRAWING										
4 PLACES ±				EC NO: 631031		2020/01/09		DOCUMENT NUMBER		DOC TYPE	DOC PART	REVISION		
3 PLACES ±				DRWN: RPRABHUM		2020/02/06		1120955011		PSD	000	A2		
2 PLACES ±				CHK'D: GGA		2020/02/06		INITIAL REVISION:						
1 PLACE ± 0.3				APPR: GGA		2020/02/06		DRWN: SSM		2019/02/28		MATERIAL NUMBER	CUSTOMER	SHEET NUMBER
0 PLACES ± 0.5				APPR: RSILLER		2019/03/27		DRWN: SSM		2019/03/27		SEE TABLE 3,4,5,6,7,8	GENERAL MARKET	1 OF 7
DRAFT WHERE APPLICABLE MUST REMAIN WITHIN DIMENSIONS				THIRD ANGLE PROJECTION		DRAWING	SERIES	MATERIAL NUMBER	CUSTOMER	SHEET NUMBER				
						A3-SIZE	112095	SEE TABLE 3,4,5,6,7,8	GENERAL MARKET	1 OF 7				

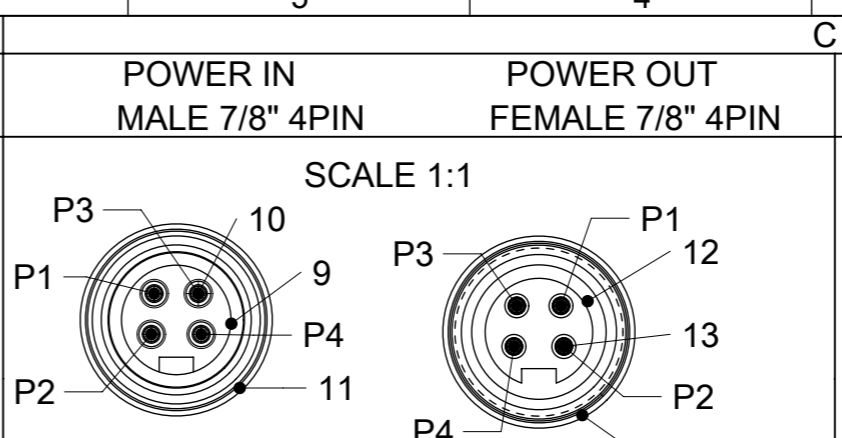


WIRING INFORMATION
P1 TX+
P2 RX+
P3 TX-
P4 RX-

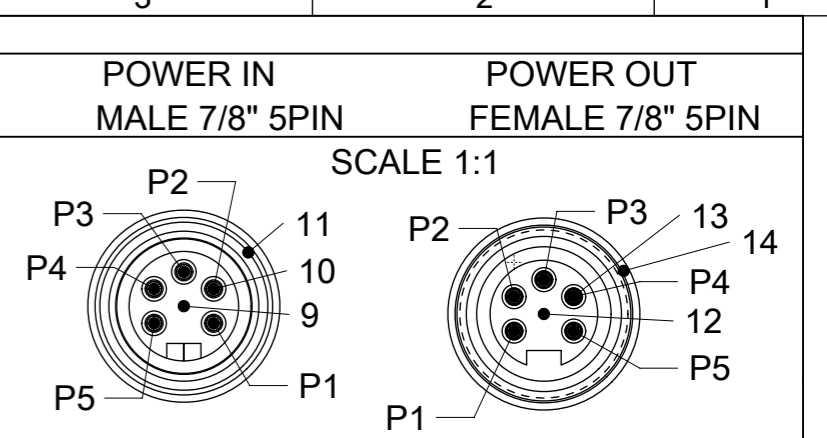


WIRING INFORMATION INPUT
P1 - +24 VDC
P2 - Input (even)
P3 - 0 V (Ground)
P4 - Input (odd)
P5 - PE (Protected Earth)

WIRING INFORMATION OUTPUT
P1 - N/C
P2 - Output (even)
P3 - 0 V (Ground)
P4 - Output (odd)
P5 - PE (Protected Earth)



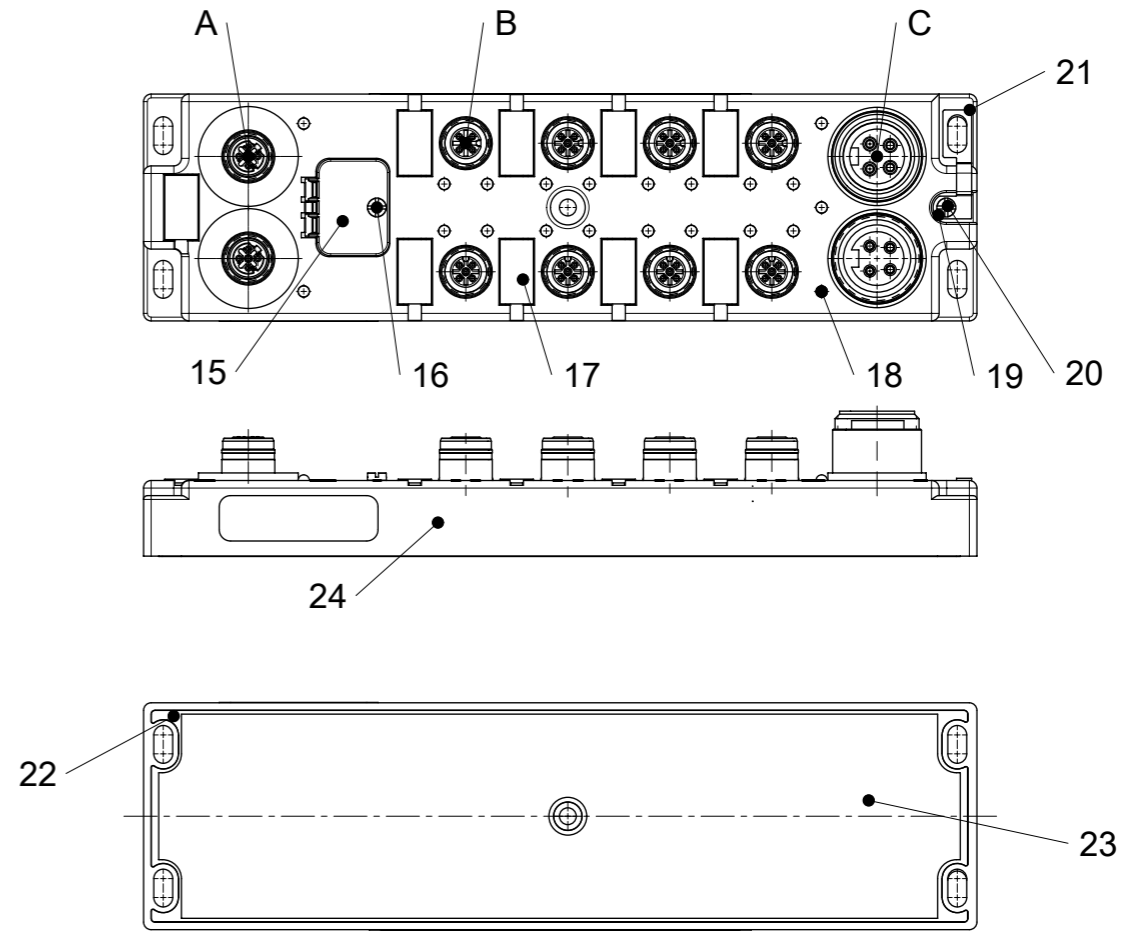
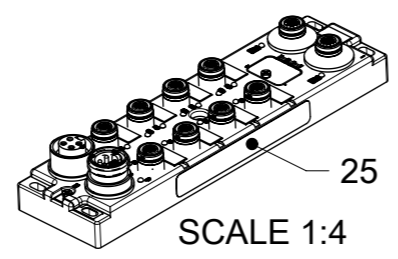
WIRING INFORMATION
P1 - +24 VDC (Outputs Power)
P2 - +24 VDC (Module & Inputs Power)
P3 - 0 V (Module & Inputs Power)
P4 - 0 V (Outputs Power)



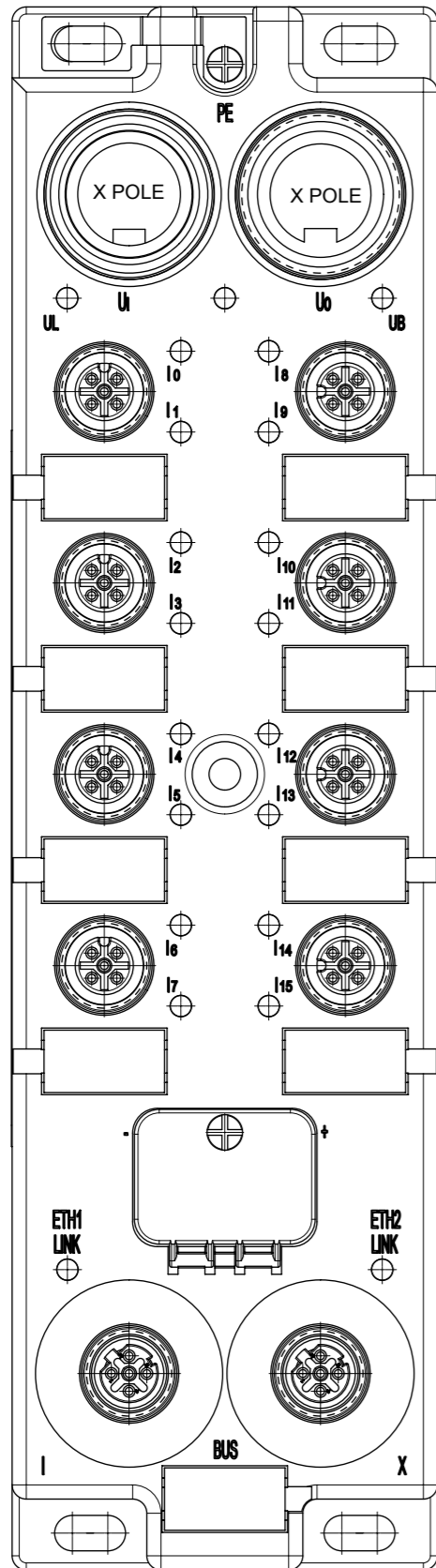
WIRING INFORMATION
P1 - 0 V (Outputs Power)
P2 - 0 V (Module & Inputs Power)
P3 - PE (Protected Earth)
P4 - +24 VDC (Module and Inputs Power)
P5 - +24 VDC (Outputs Power)

BILL OF MATERIAL

ITEM	DESCRIPTION	MATERIAL	FINISH
1	INSERT	TPU	BLACK
2	CONTACT	COPPER ALLOY	GOLD OVERNICKEL
3	SHELL	BRASS	NICKEL PLATET
4	GASKET	FPM	BLACK
5	CONTACT	COPPER ALLOY	GOLD OVER NICKEL
6	GASKET	FPM	BLACK
7	SHELL	BRASS	NICKEL PLATET
8	INSERT	TPU	BLACK
9	INSERT	TPE	YELLOW
10	CONTACT	COPPER ALLOY	GOLD OVERNICKEL
11	SHELL	BRASS	NICKEL PLATET
12	INSERT	TPE	YELLOW
13	CONTACT	COPPER ALLOY	GOLD OVER NICKEL
14	SHELL	BRASS	NICKEL PLATET
15	WINDOW	PC	TRANSPARENT
16	SCREW	V2A	-
17	LABEL	PC	WHITE
18	FIBER OPTIC	PA	TRANSPARENT
19	WASHER	BRASS	NICKEL PLATET
20	SCREW	V2A	-
21	SHIELD PLATE	STAINLESS STEEL	-
22	RESIN	EPOXY	TRANSPARENT
23	LABEL	PVC	WHITE
24	HOUSING	PBT	BLACK
25	LABEL	PVC	YELLOW



THIS DRAWING CONTAINS INFORMATION THAT IS PROPRIETARY TO MOLEX ELECTRONIC TECHNOLOGIES, LLC AND SHOULD NOT BE USED WITHOUT WRITTEN PERMISSION		CURRENT REV DESC: OBSOLETE PART NO.		molex	
DIMENSION UNITS	SCALE	IO:ENET/IP:IP67-60MM:8P5:16 DCONFIG U12 4P 2PT DC FE			
mm	1:2	EC NO: 631031		PRODUCT CUSTOMER DRAWING	
GENERAL TOLERANCES (UNLESS SPECIFIED)		DRWN: RPRABHUM	2020/01/09	DOCUMENT NUMBER	
ANGULAR TOL	± °	CHK'D: GGA	2020/02/06	1120955011	
4 PLACES	±	APPR: GGA	2020/02/06	DOC TYPE	DOC PART
3 PLACES	±	INITIAL REVISION:		PSD	000
2 PLACES	±	DRWN: SSM	2019/02/28	REVISION	
1 PLACE	± 0.3	APPR: RSILLER	2019/03/27	A2	
0 PLACES	± 0.5	DRAFT WHERE APPLICABLE MUST REMAIN WITHIN DIMENSIONS		SHEET NUMBER	
THIRD ANGLE PROJECTION		DRAWING	SERIES	MATERIAL NUMBER	CUSTOMER
		A3-SIZE	112095	SEE TABLE 3,4,5,6,7,8	GENERAL MARKET

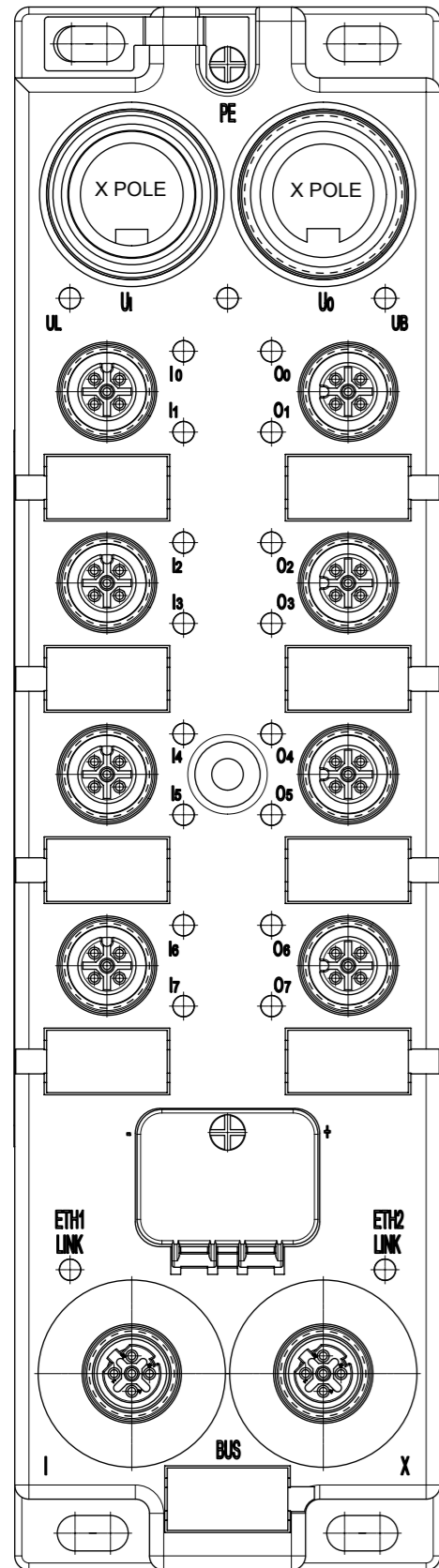


16 IN PRINTING

TABLE 1 16 IN PRINTING

POWER TYPE	INPUT/OUTPUT	EtherNet/IP		PROFINET		3D MODEL NO.
		ENG. NO	MOLEX P/N	ENG. NO	MOLEX P/N	
7/8" 5 POLE	PNP	16I		TCDEP-8D0P-D1U-G	1120955048	1120955011- PDM
		16I	TCDEI-8D0P-D1U-G02	1120955141		
7/8" 4 POLE	PNP	16I	TCDEI-8D0P-DYU-G01	1120955002		
		16I	TCDEI-8D0P-DYU-G02	1120955137		

THIS DRAWING CONTAINS INFORMATION THAT IS PROPRIETARY TO MOLEX ELECTRONIC TECHNOLOGIES, LLC AND SHOULD NOT BE USED WITHOUT WRITTEN PERMISSION										
DIMENSION UNITS	SCALE	CURRENT REV DESC: OBSOLETE PART NO.						molex		
mm	1:1									
GENERAL TOLERANCES (UNLESS SPECIFIED)		EC NO: 631031						IO:ENET/IP:IP67:60MM:8P5:16 DCONFIG		
ANGULAR TOL	± °	DRWN: RPRABHUM 2020/01/09						U12 4P 2PT DC FE		
4 PLACES	±	CHK'D: GGA 2020/02/06						PRODUCT CUSTOMER DRAWING		
3 PLACES	±	APPR: GGA 2020/02/06						DOCUMENT NUMBER		
2 PLACES	±	INITIAL REVISION:						1120955011		
1 PLACE	± 0.3	DRWN: SSM 2019/02/28						DOC TYPE	DOC PART	REVISION
0 PLACES	± 0.5	APPR: RSILLER 2019/03/27						PSD	000	A2
DRAFT WHERE APPLICABLE MUST REMAIN WITHIN DIMENSIONS		THIRD ANGLE PROJECTION	DRAWING	SERIES	MATERIAL NUMBER	CUSTOMER	SHEET NUMBER			
			A3-SIZE	112095	SEE TABLE 3,4,5,6,7,8	GENERAL MARKET	3 OF 7			

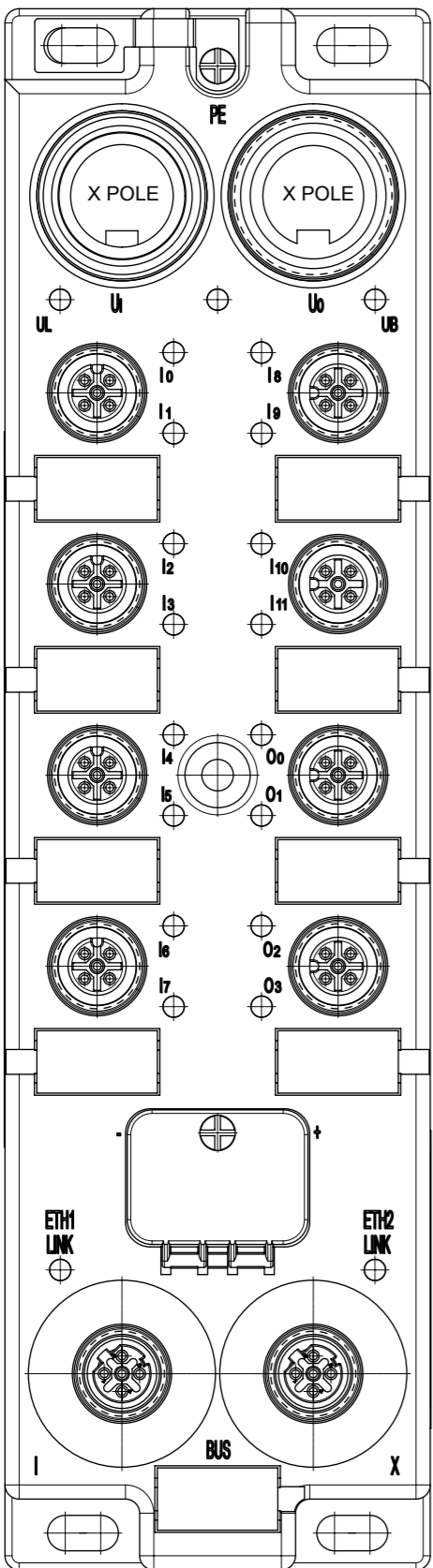


8I/8O IN PRINTING

TABLE 2 8I/8O PRINTING

POWER TYPE	INPUT/OUTPUT	EtherNet/IP		PROFINET		3D MODEL NO.	
		ENG. NO	MOLEX P/N	ENG. NO	MOLEX P/N		
7/8" 5 POLE	PNP	8I/8O	TCDEI-888P-D1U-G	1120955061	TCDEP-888P-D1U-G	1120955050	1120955011 - PDM
		8I/8O	TCDEI-888P-D1U-G02	1120955142			
		8IN/4M	TCDEI-88MP-D1U-G	1120955118			
7/8" 4 POLE	PNP	8I/8O	TCDEI-888P-DYU-G	1120955041	TCDEP-888P-DYU-G	1120955053	
			TCDEI-888P-DYU-G01	1120955072			
			TCDEI-888P-DYU-G02	1120955138			

THIS DRAWING CONTAINS INFORMATION THAT IS PROPRIETARY TO MOLEX ELECTRONIC TECHNOLOGIES, LLC AND SHOULD NOT BE USED WITHOUT WRITTEN PERMISSION										
DIMENSION UNITS	SCALE	CURRENT REV DESC: OBSOLETE PART NO.				molex				
mm	1:1									
GENERAL TOLERANCES (UNLESS SPECIFIED)		EC NO: 631031				IO:ENET/IP:IP67:60MM:8P5:16 DCONFIG U12 4P 2PT DC FE				
ANGULAR TOL	± °	DRWN: RPRABHUM		2020/01/09						
4 PLACES	±	CHK'D: GGA		2020/02/06						
3 PLACES	±	APPR: GGA		2020/02/06						
2 PLACES	±	INITIAL REVISION:				PRODUCT CUSTOMER DRAWING				
1 PLACE	± 0.3	DRWN: SSM		2019/02/28		DOCUMENT NUMBER		DOC TYPE	DOC PART	REVISION
0 PLACES	± 0.5	APPR: RSILLER		2019/03/27		1120955011		PSD	000	A2
DRAFT WHERE APPLICABLE MUST REMAIN WITHIN DIMENSIONS		THIRD ANGLE PROJECTION	DRAWING	SERIES	MATERIAL NUMBER	CUSTOMER		SHEET NUMBER		
			A3-SIZE	112095	SEE TABLE 3,4,5,6,7,8	GENERAL MARKET		4 OF 7		



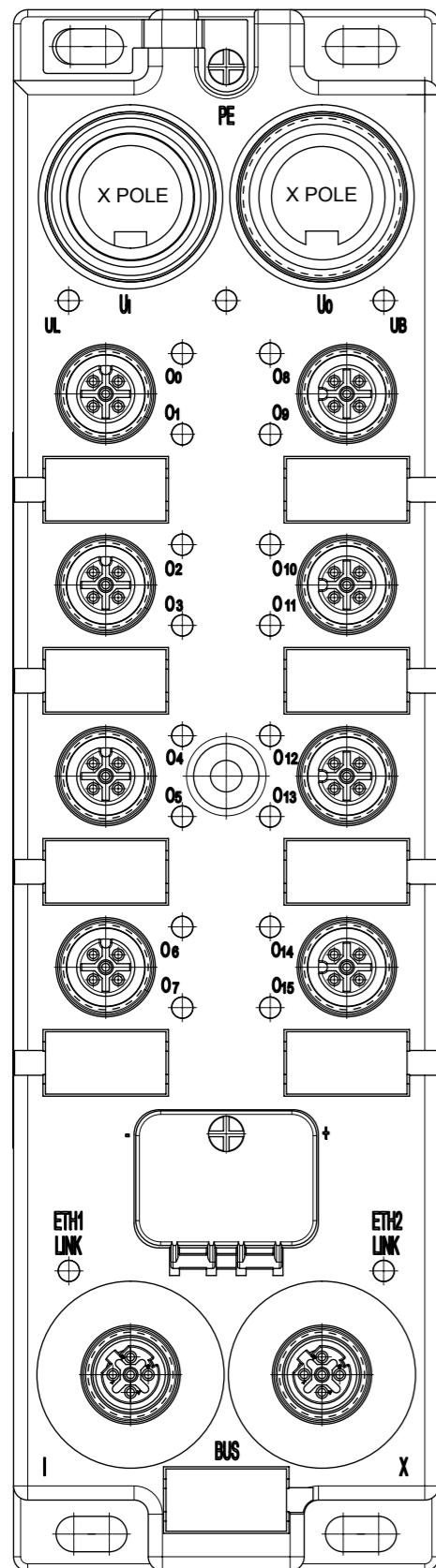
12I/4O PRINTING

TABLE 3 12I/4O PRINTING

POWER TYPE	INPUT/OUTPUT	EtherNet/IP		PROFINET		3D MODEL NO.
		ENG. NO	MOLEX P/N	ENG. NO	MOLEX P/N	
7/8" 5 POLE	PNP	12I/4O	TCDEI-8B4P-D1U-G	1120955063	TCDEP-8B4P-D1U-G	1120955051
		12I/4O	TCDEI-8B4P-D1U-G02	1120955143		
7/8" 4 POLE	PNP	12I/4O	TCDEI-8B4P-DYU-G01	1120955073		1120955011 - PDM
		12I/4O	TCDEI-8B4P-DYU-G02	1120955139		

THIS DRAWING CONTAINS INFORMATION THAT IS PROPRIETARY TO MOLEX ELECTRONIC TECHNOLOGIES, LLC AND SHOULD NOT BE USED WITHOUT WRITTEN PERMISSION

DIMENSION UNITS mm	SCALE 1:1	CURRENT REV DESC: OBSOLETE PART NO.		molex	
GENERAL TOLERANCES (UNLESS SPECIFIED)		EC NO: 631031			
ANGULAR TOL ± °		DRWN: RPRABHUM	2020/01/09	PRODUCT CUSTOMER DRAWING	
4 PLACES ±		CHK'D: GGA	2020/02/06	DOCUMENT NUMBER	
3 PLACES ±		APPR: GGA	2020/02/06	1120955011	
2 PLACES ±		INITIAL REVISION:		DOC TYPE	DOC PART
1 PLACE ± 0.3		DRWN: SSM	2019/02/28	PSD	000
0 PLACES ± 0.5		APPR: RSILLER	2019/03/27	REVISION	
DRAFT WHERE APPLICABLE MUST REMAIN WITHIN DIMENSIONS	THIRD ANGLE PROJECTION	DRAWING	SERIES	MATERIAL NUMBER	CUSTOMER
		A3-SIZE	112095	SEE TABLE 3,4,5,6,7,8	GENERAL MARKET
					SHEET NUMBER
					5 OF 7



160 PRINTING

TABLE 4 160 PRINTING

POWER TYPE	INPUT/OUTPUT	EtherNet/IP		PROFINET		3D MODEL NO.
		ENG. NO	MOLEX P/N	ENG. NO	MOLEX P/N	
7/8" 5 POLE	PNP	160	TCDEI-80DP-D1U-G	1120955062	TCDEP-80DP-D1U-G	1120955011 - PDM
		160	TCDEI-80DP-D1U-G02	1120955144		
7/8" 4 POLE	PNP	160	TCDEI-80D8-DYU-G01	1120955074		
		160	TCDEI-80DP-DYU-G02	1120955140		

THIS DRAWING CONTAINS INFORMATION THAT IS PROPRIETARY TO MOLEX ELECTRONIC TECHNOLOGIES, LLC AND SHOULD NOT BE USED WITHOUT WRITTEN PERMISSION										
DIMENSION UNITS	SCALE	CURRENT REV DESC: OBSOLETE PART NO.						molex		
mm	1:1									
GENERAL TOLERANCES (UNLESS SPECIFIED)		EC NO: 631031						IO:ENET/IP:IP67:60MM:8P5:16 DCONFIG U12 4P 2PT DC FE		
ANGULAR TOL	± °	DRWN: RPRABHUM 2020/01/09						PRODUCT CUSTOMER DRAWING		
4 PLACES	±	CHK'D: GGA 2020/02/06						DOCUMENT NUMBER		
3 PLACES	±	APPR: GGA 2020/02/06						1120955011		
2 PLACES	±	INITIAL REVISION:						DOC TYPE	DOC PART	REVISION
1 PLACE	± 0.3	DRWN: SSM 2019/02/28						PSD	000	A2
0 PLACES	± 0.5	APPR: RSILLER 2019/03/27								
DRAFT WHERE APPLICABLE MUST REMAIN WITHIN DIMENSIONS		THIRD ANGLE PROJECTION	DRAWING	SERIES	MATERIAL NUMBER	CUSTOMER	SHEET NUMBER			
			A3-SIZE	112095	SEE TABLE 3,4,5,6,7,8	GENERAL MARKET	6 OF 7			

