

# 80×80×20 mm

San Ace 80 9P type   



## General Specifications

- Material ..... Frame: Plastic (Flammability: UL 94V-0), Impeller: Plastic (Flammability: UL 94V-1)
- Expected life ..... See the table below. (L10 life: 90% survival rate for continuous operation in free air at 60°C, rated voltage)
- Motor protection function ..... Locked rotor burnout protection, Reverse polarity protection  
For details, please refer to p. 547.
- Dielectric strength ..... 50/60 Hz, 500 VAC, for 1 minute (between lead wire conductors and frame)
- Insulation resistance ..... 10 MΩ or more with a 500 VDC megger (between lead wire conductors and frame)
- Sound pressure level (SPL) ..... At 1 m away from the air inlet
- Storage temperature ..... -30 to +70°C (Non-condensing)
- Lead wire ..... ⊕Red ⊖Black or Blue (Sensor) Yellow
- Mass ..... 100 g

## Specifications

The models listed below **have ribs and pulse sensors.**

Model no.	Rated voltage [V]	Operating voltage range [V]	Rated current [A]	Rated input [W]	Rated speed [min <sup>-1</sup> ]	Max. airflow [m <sup>3</sup> /min] [CFM]	Max. static pressure [Pa] [inchH <sub>2</sub> O]	SPL [dB (A)]	Operating temperature [°C]	Expected life [h]
<b>109P0812C601</b>	12	10.2 to 13.8	0.29	3.48	3700	1.07 37.8	46 0.185	39	-20 to +60	60000/60°C
<b>109P0812H601</b>			0.21	2.52	2900	0.84 29.7	29.4 0.118	31		
<b>109P0812M601</b>			0.13	1.56	2300	0.67 23.7	18.6 0.075	25		
<b>109P0824H601</b>	24	20.4 to 27.6	0.12	2.88	2900	0.84 29.7	29.4 0.118	31	-20 to +70	60000/60°C
<b>109P0824M601</b>			0.07	1.68	2300	0.67 23.7	18.6 0.075	25		
<b>109P0848C601</b>	48	38 to 57.6	0.08	3.84	3700	1.07 37.8	46 0.185	39	-20 to +70	40000/60°C
<b>109P0848H601</b>			0.05	2.4	2900	0.84 29.7	29.4 0.118	31		

The following sensor and control options are available for selection.

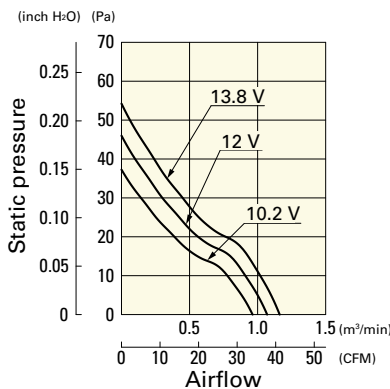
Available for all models. **Lock sensor**

Differs according to the model. Refer to the table on p. 563. **Without sensor**

## Airflow - Static Pressure Characteristics

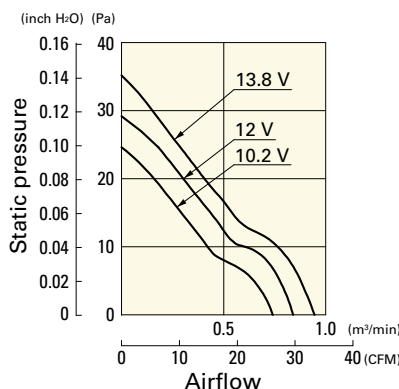
**109P0812C601** With pulse sensor

Operating voltage range



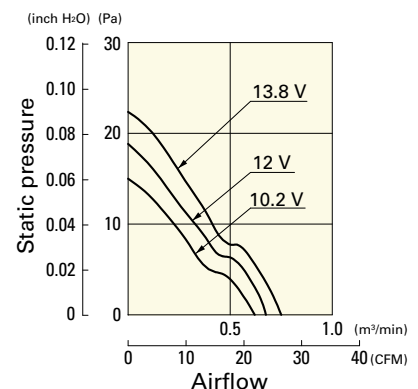
**109P0812H601** With pulse sensor

Operating voltage range



**109P0812M601** With pulse sensor

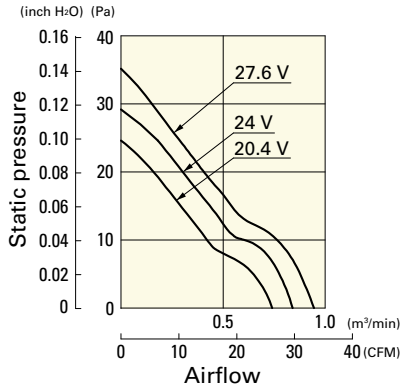
Operating voltage range



## Airflow - Static Pressure Characteristics

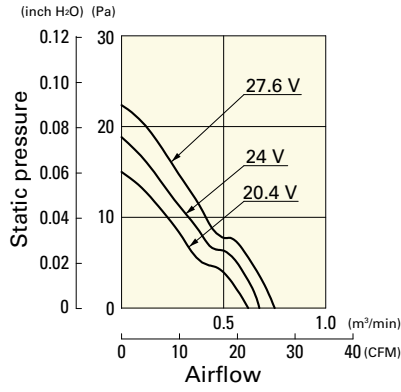
**109P0824H601** With pulse sensor

Operating voltage range



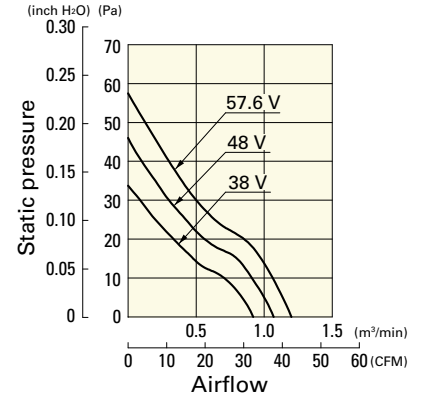
**109P0824M601** With pulse sensor

Operating voltage range



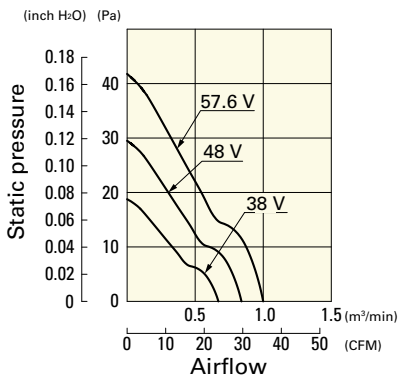
**109P0848C601** With pulse sensor

Operating voltage range

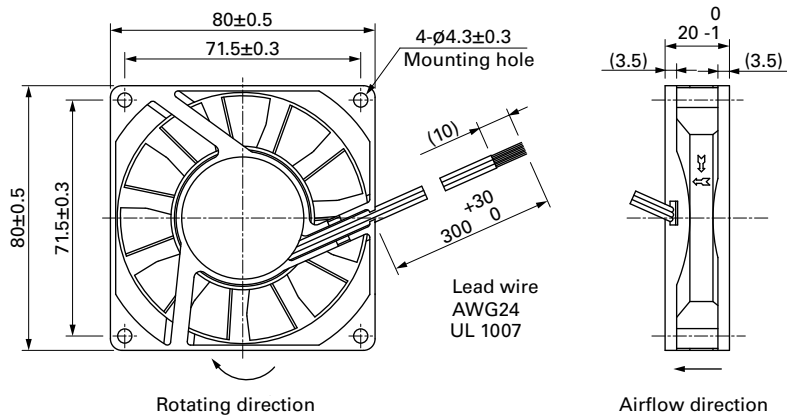


**109P0848H601** With pulse sensor

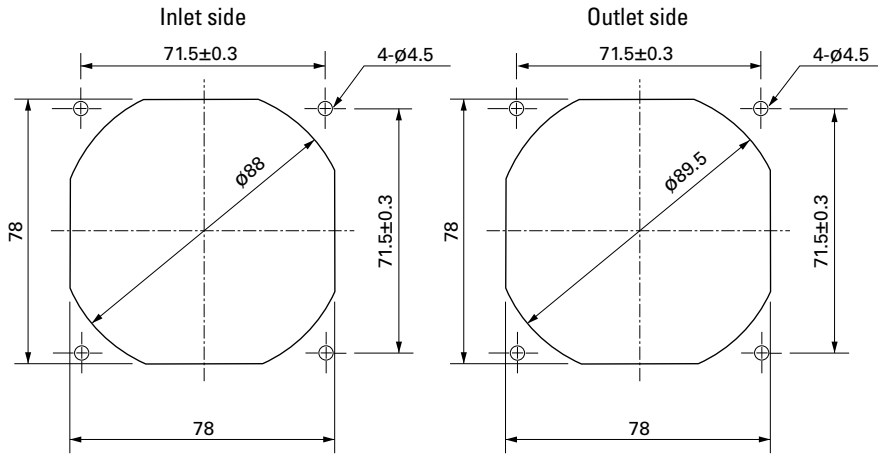
Operating voltage range



## Dimensions (unit: mm)



■ Reference Dimensions of Mounting Holes and Vent Opening (unit: mm)



■ Options

Finger guards

page: p. 532

Model no.: 109-049E, 109-049H, 109-049C

Resin finger guards

page: p. 539

Model no.: 109-1002G

Resin filter kits

page: p. 540

Model no.: 109-1002F13 (13PPI), 109-1002F20 (20PPI),  
109-1002F30 (30PPI), 109-1002F40 (40PPI)