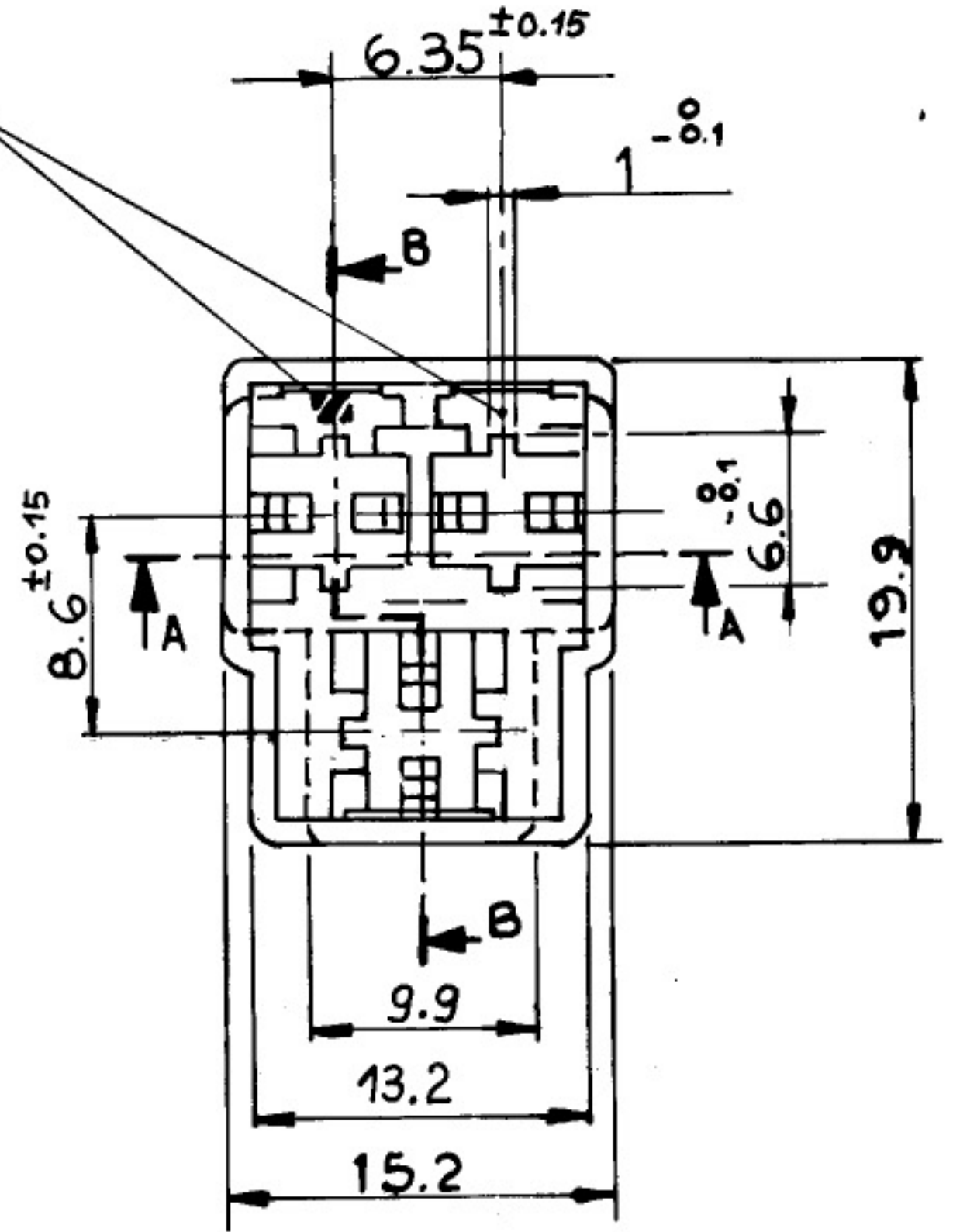
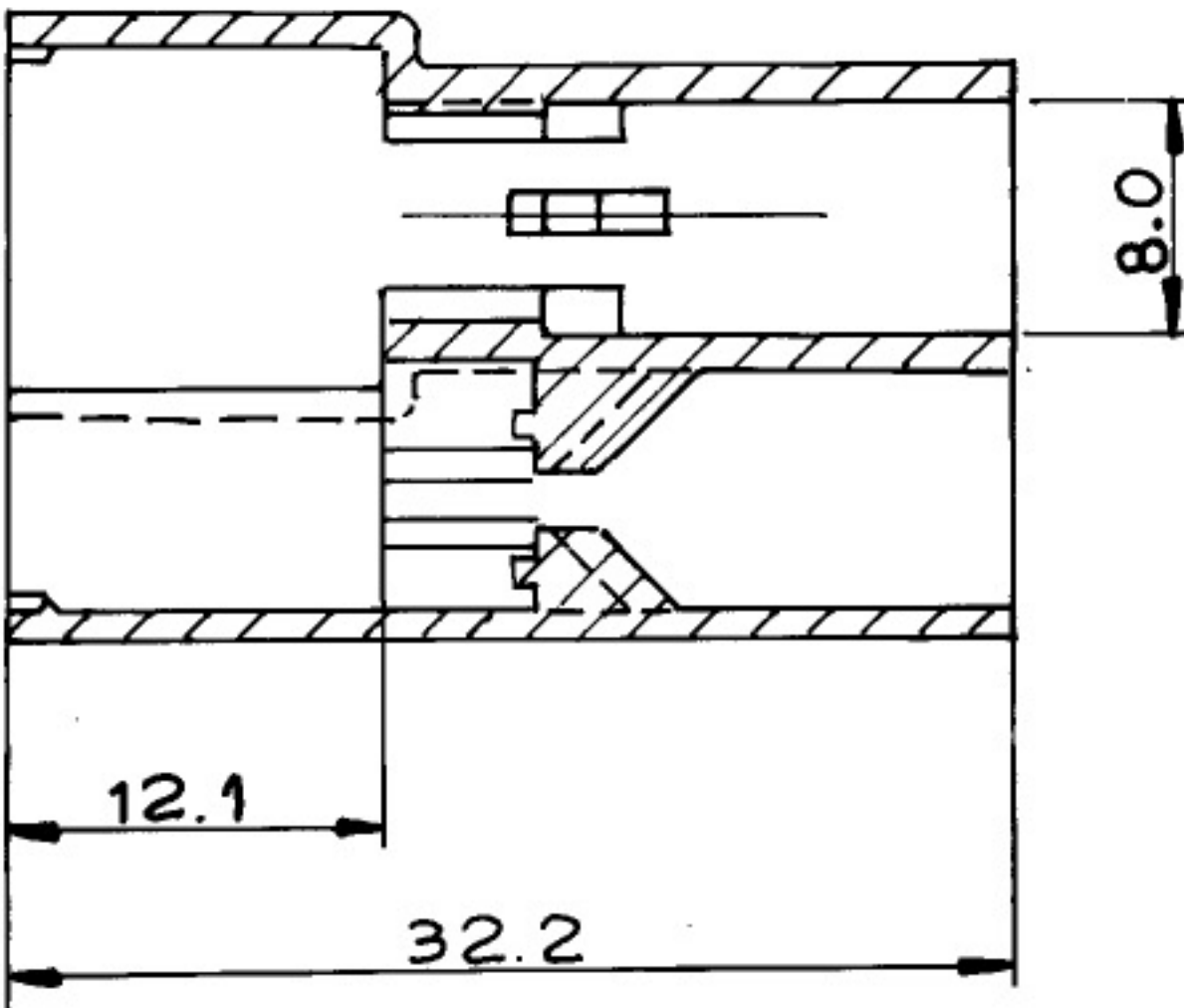


Numeri riferimento via

Marchio e numero



Spessore 0.6 ± 1.1

94090 413*

COLORE

- 0 BIANCO
- 1 NERO
- 2 ROSSO

Materiale: Poliammide 6.6 Autoestin.
guente classe V2 - UL 94

SH REV

A ECN Z4 - 121	REVISIONS	DIMENSIONS <input type="checkbox"/> IN <input checked="" type="checkbox"/> MM	SCALE	THIS DRAWING CONTAINS INFORMATION THAT IS PROPRIETARY TO ZETRONIC S.P.A. AND SHOULD NOT BE USED WITHOUT WRITTEN PERMISSION	
		UNLESS OTHERWISE SPECIFIED TOLERANCES ANGLES ±	2:1	TITLE Copricapocorda a 3 vie ortogonali per maschio serie Z 630	
		INCH MM		ZETRONIC (ITALIA) SHEET NO 1/1 DATE 29-7-86	
		3 PLACE		DWG NO 94090-413X SD SIZE A4	
		2 PLACE ±0.1			
		1 PLACE ±0.2			
		DRWG BY Agostini	APP'D BY		