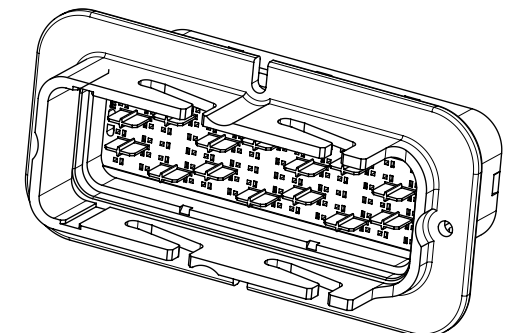


- NOTES:**
- MATERIALS:**
HOUSINGS: SPS/NYLON BLEND, GLASS FILLED, UL 94 HB
SEAL: SILICONE RUBBER
 - MX150 BLADE TERMINALS PER SD-33000-001 TO BE USED WITH THIS ASSEMBLY IN CAVITIES A, B, C, D, E, F, & G, CRIMPED WITH CABLE INSULATION OUTER DIAMETER IN THE RANGE 1.5mm TO 2.7mm
 - PRODUCT SPECIFICATION: 850830010 PSP
 - PACKAGING SPECIFICATION: 850710010 PSK
 - MATES WITH: SRC 84 WAY RECEPTACLE HOUSING ASSEMBLY PART NUMBER 932870001 PER 932870001 PSD
 - APPLICATION SPECIFICATION: 850830010 PSA
 - FLANGE GASKET OPTION: REFER TO 850710017 PSD

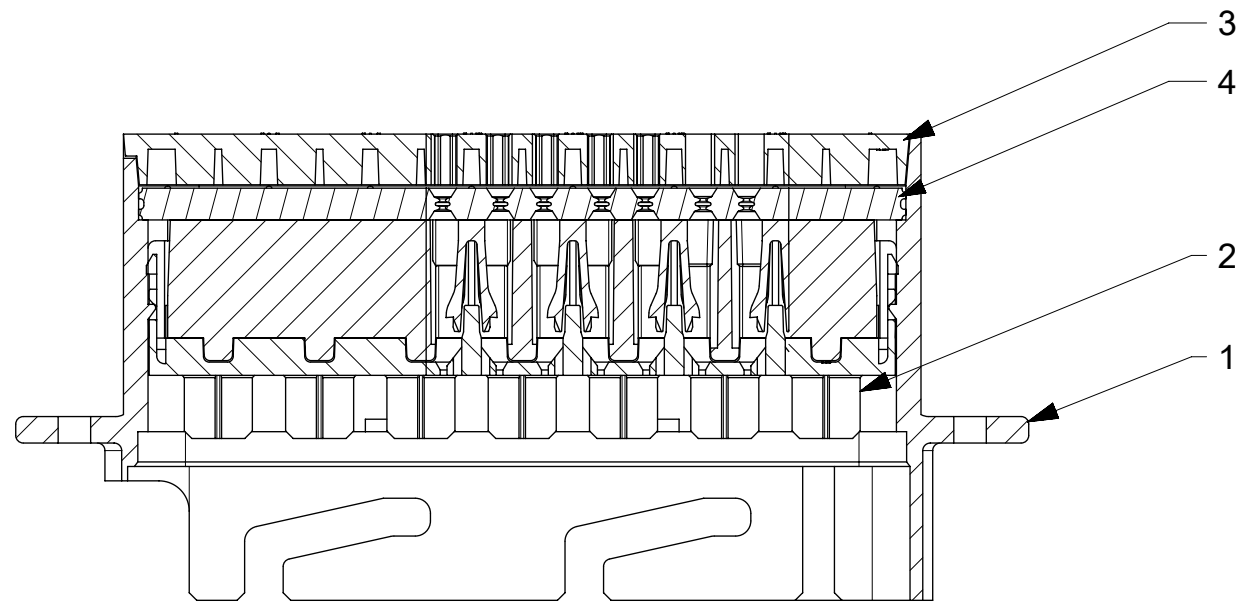
INSPECTION NUMBERS RESERVED FOR SHEET 1: 1-50
LAST INSPECTION NUMBER USED: 1

No.	DESCRIPTION	QTY.	COLOUR
4	MALE BACK SEAL	1	RUST RED
3	MALE REAR COVER	1	BLACK
2	MALE FRONT COVER (TPA)	1	GREEN
1	MALE HOUSING	1	BLACK

BILL OF MATERIAL

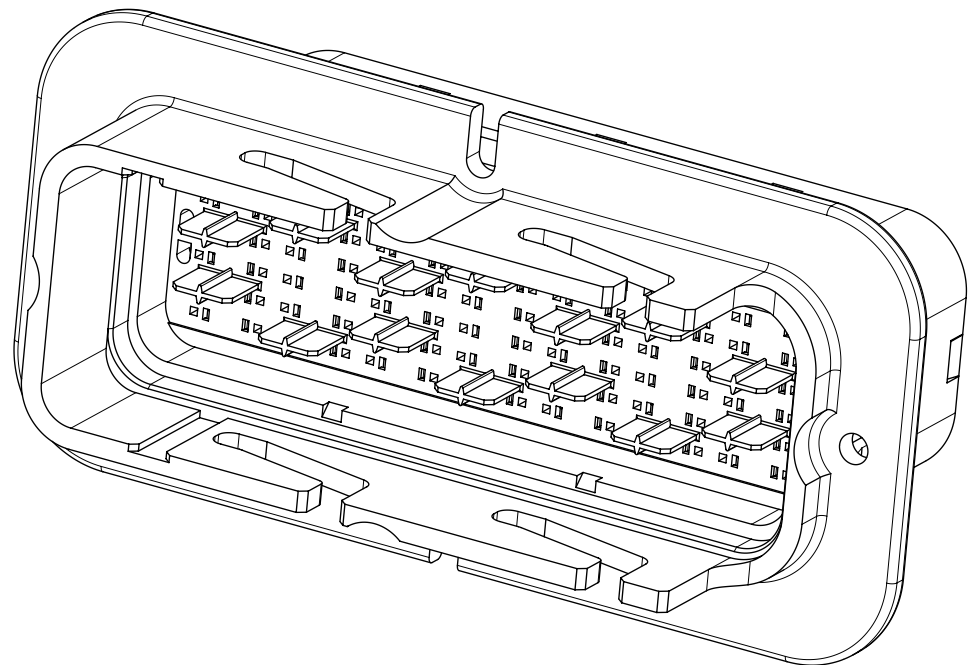


QUALITY SYMBOLS	THIS DRAWING CONTAINS INFORMATION THAT IS PROPRIETARY TO MOLEX ELECTRONIC TECHNOLOGIES, LLC AND SHOULD NOT BE USED WITHOUT WRITTEN PERMISSION		GENERAL TOLERANCES (UNLESS SPECIFIED)		DIMENSION UNITS	SCALE	
▽ = 0	REPLACE SD-93288-001	2016/01/26	mm	1:1			
▽ = 0	EC NO: 102579	2016/01/26	ANGULAR TOL ± 0.5 °		DRWN BY	DATE	
▽ = 0	DRWN: AJOBRIEN	2016/01/26	4 PLACES ±		AJOBRIEN	2016/01/21	
▽ = 0	CHKD: JDWALLACE	2016/01/26	3 PLACES ±		CHK'D BY	DATE	
▽ = 0	APPR: JDWALLACE	2016/01/26	2 PLACES ± 0.2		SMCGREEVY		
▽ = 0			1 PLACE ± 0.5		APPR BY	DATE	
▽ = 0			0 PLACES ±		JDWALLACE	2016/01/26	
▽ = 0			DRAFT WHERE APPLICABLE MUST REMAIN WITHIN DIMENSIONS		DRAWING SIZE	THIRD ANGLE PROJECTION	
▽ = 0	A				A2		
					SRC MALE 84 WAY / 84 WAY 2.5 BLADE HOUSING ASSEMBLY		
			PRODUCT CUSTOMER DRAWING		SERIES	MATERIAL NUMBER	CUSTOMER
					93288	SEE NOTES	GENERAL MARKET
					DOCUMENT NUMBER	DOC TYPE	DOC PART SHEET NUMBER
					932880001	PSD	000 1 OF 2



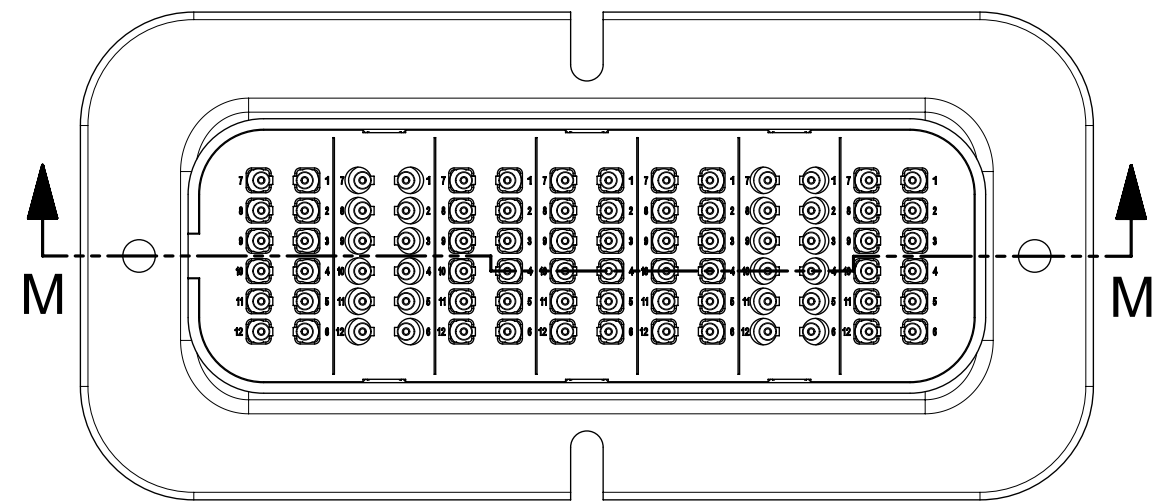
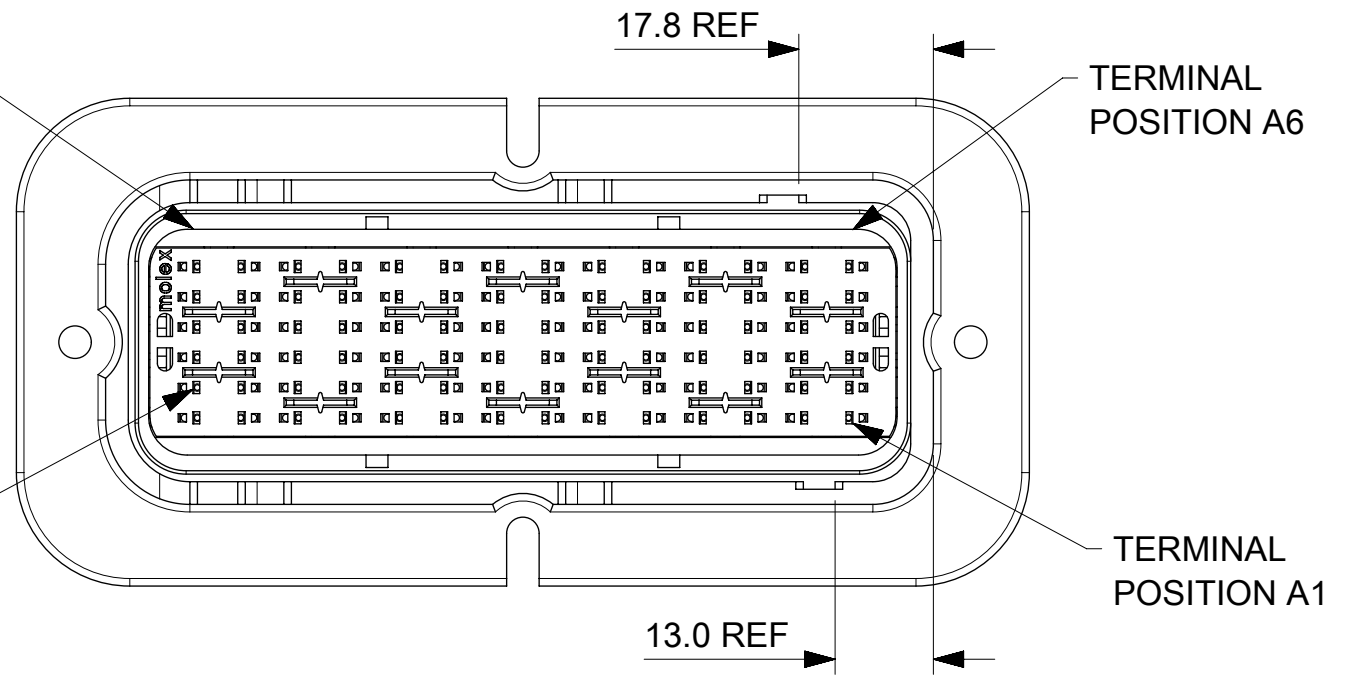
SECTION M-M

4	MALE BACK SEAL	1	RUST RED
3	MALE REAR COVER	1	BLACK
2	MALE FRONT COVER (TPA)	1	GREEN
1	MALE HOUSING	1	BLACK
No.	DESCRIPTION	QTY.	COLOUR
BILL OF MATERIAL			



3
4
2
1

TERMINAL POSITION G12



NOTES:

1. REFERENCE SHEET 1 FOR UNSPECIFIED NOTES AND DIMENSIONS
2. MX150 BLADE TERMINALS PER SD-33000-001 TO BE USED WITH THIS ASSEMBLY IN CAVITIES A, C, D, E & G, CRIMPED WITH CABLE INSULATION OUTER DIAMETER IN THE RANGE 1.5mm TO 2.7mm
3. SRC BLADE TERMINALS PER 936420010 PSD MAY BE USED WITH THIS ASSEMBLY IN CAVITIES B AND F, CRIMPED WITH 2.5mm² (13AWG) CABLE INSULATION OUTER DIAMETER IN THE RANGE 2.7mm TO 3.0mm
4. MATES WITH: SRC2 84 WAY 2.5 RECEPTACLE HOUSING ASSEMBLY PART NUMBER 932878425 PER 932870001 PSD

<p>QUALITY SYMBOLS</p> <p>▽A = 0</p> <p>▽E = 0</p> <p>▽F = 0</p> <p>▽ = 0</p> <p>▽C = 0</p> <p>⊗ = 0</p> <p>■ = 0</p> <p>▽ = 0</p>	THIS DRAWING CONTAINS INFORMATION THAT IS PROPRIETARY TO MOLEX ELECTRONIC TECHNOLOGIES, LLC AND SHOULD NOT BE USED WITHOUT WRITTEN PERMISSION											
	<p>REPLACE SD-93288-001</p> <p>EC NO: 102579</p> <p>DRWN: AJOBRIEN</p> <p>CHK'D: JDWALLACE</p> <p>REV APPR: JDWALLACE</p>	2016/01/21	GENERAL TOLERANCES (UNLESS SPECIFIED)		DIMENSION UNITS		SCALE					
		2016/01/26	ANGULAR TOL ± 0.5 °		mm		1:1					
		2016/01/26	4 PLACES ±	DRWN BY		DATE		<p>SRC MALE 84 WAY / 84 WAY 2.5 BLADE HOUSING ASSEMBLY</p>				
			3 PLACES ±	AJOBRIEN		2016/01/21						
			2 PLACES ± 0.2	CHK'D BY		DATE						
		1 PLACE ± 0.5	SMCGREEVY				<p>PRODUCT CUSTOMER DRAWING</p>					
		0 PLACES ±	APPR BY		DATE							
			JDWALLACE		2016/01/26		SERIES	MATERIAL NUMBER	CUSTOMER			
			DRAFT WHERE APPLICABLE MUST REMAIN WITHIN DIMENSIONS		DRAWING SIZE		THIRD ANGLE PROJECTION		93288	SEE NOTES	GENERAL MARKET	
				A3				DOCUMENT NUMBER	DOC TYPE	DOC PART	SHEET NUMBER	
								932880001	PSD	000	2 OF 2	