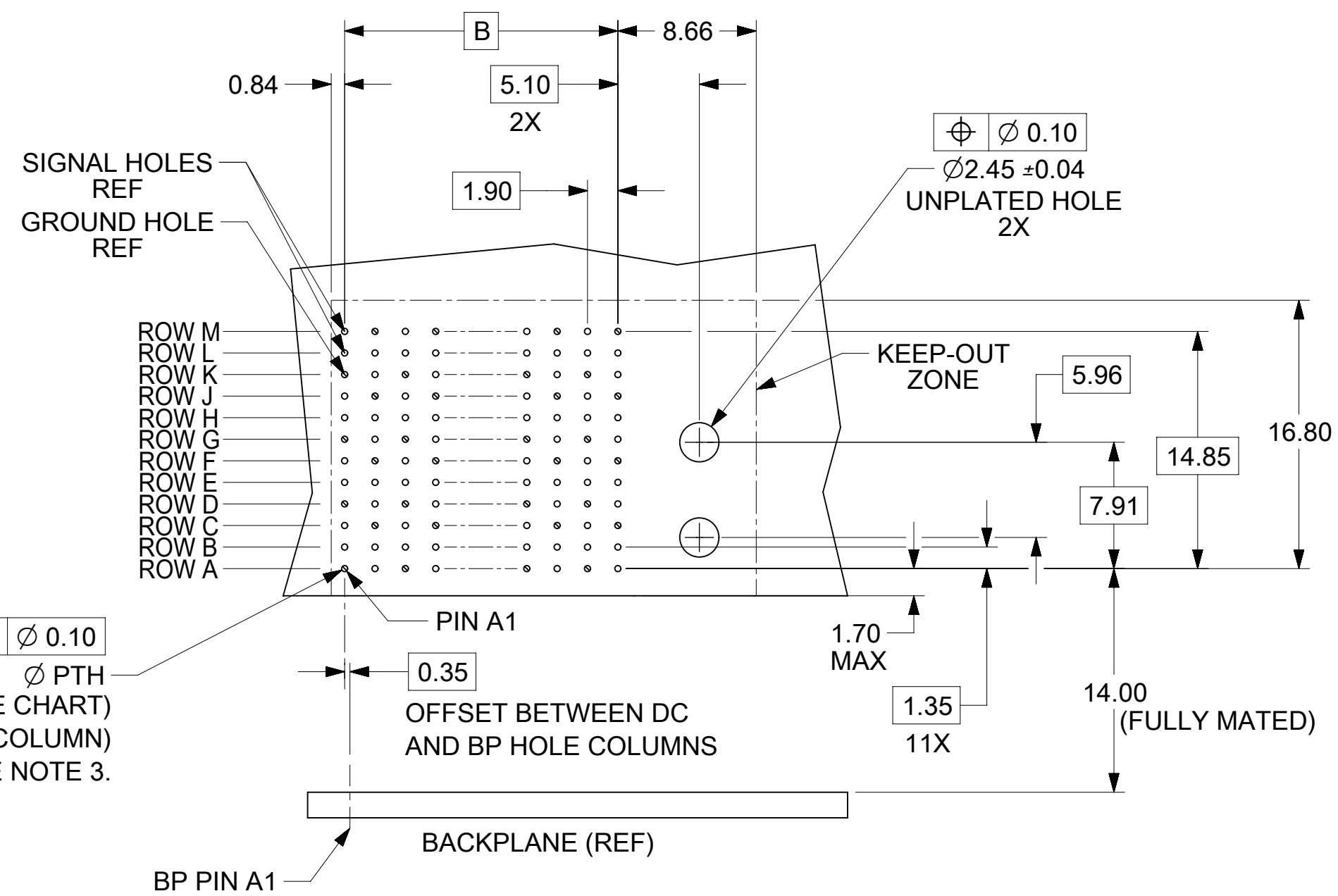
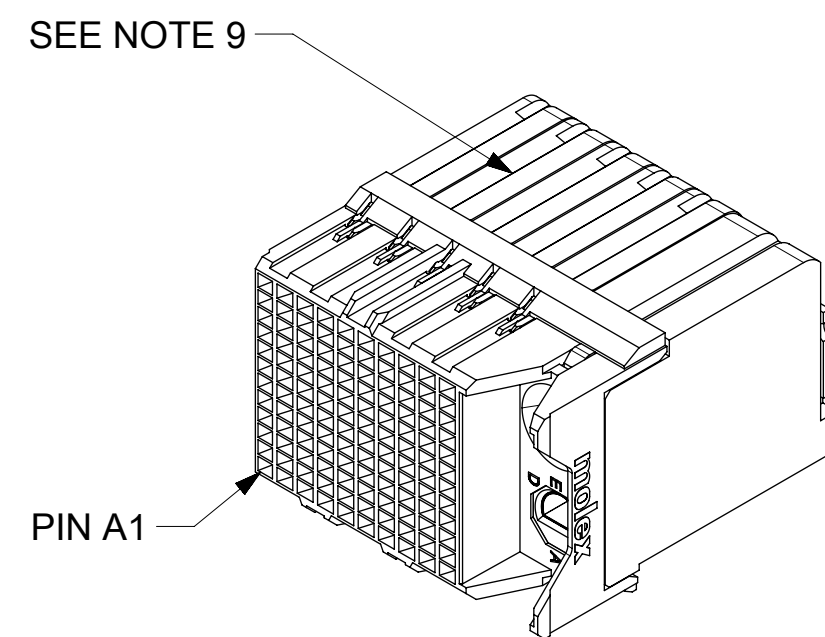
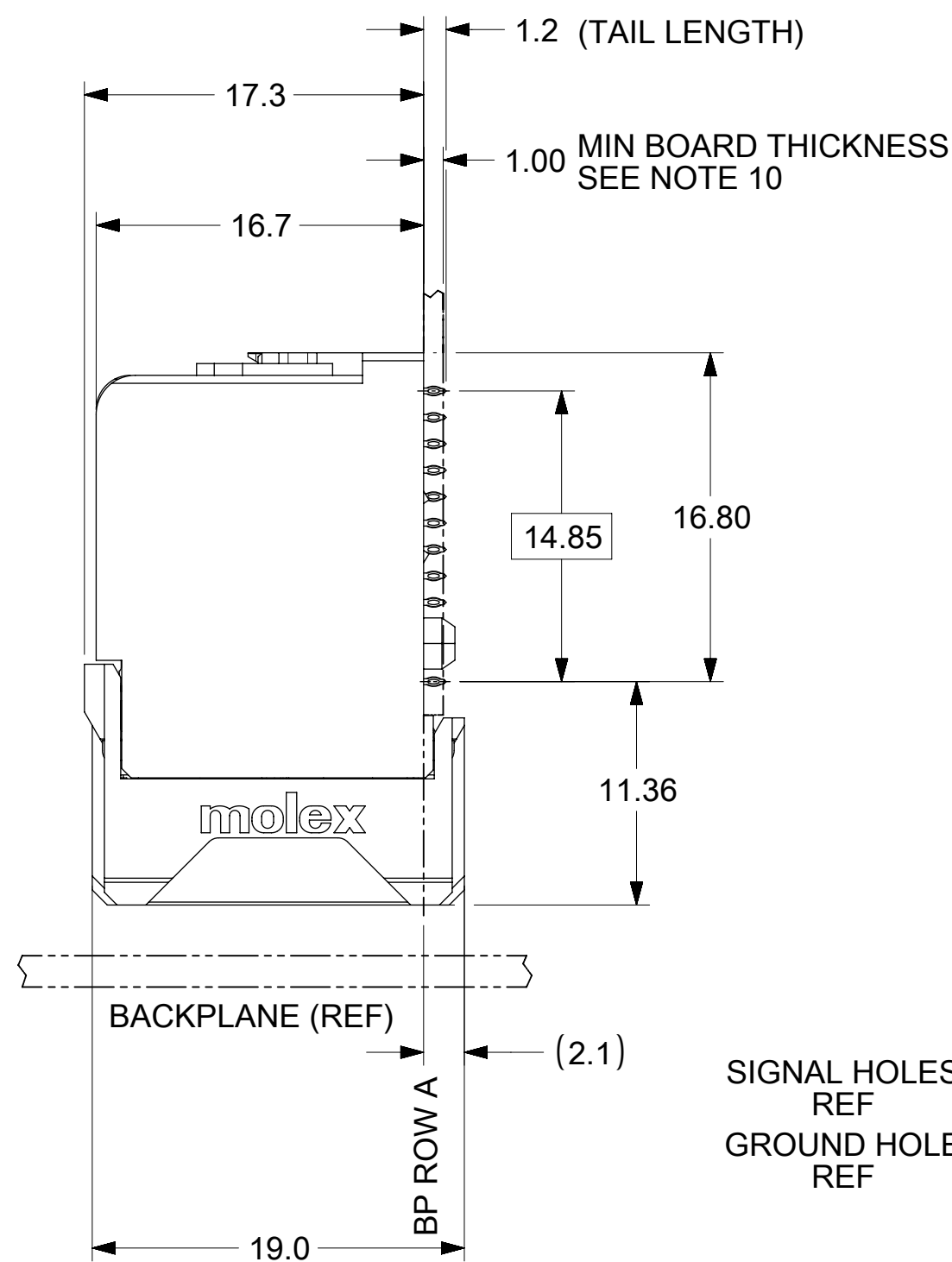


KEY SHOWN IN POSITION A



DAUGHTERCARD HOLE PATTERN (CONNECTOR SIDE)

NOTES:

1. MATERIALS: HOUSING - LIQUID CRYSTAL POLYMER (LCP), GLASS-FILLED, UL94V-0
TERMINALS - HIGH PERFORMANCE COPPER ALLOY
2. FINISH: 30µIN MIN SELECTIVE GOLD IN CONTACT AREA, SELECTIVE TIN ON PCB TAILS. NICKEL OVERALL.
3. REFER TO MOLEX PRODUCT SPEC PS-76060-999 FOR PERFORMANCE SPECIFICATIONS AND ADDITIONAL PCB INFORMATION.
4. EACH SIGNAL WAFER CONTAINS 2 COLUMNS OF TERMINALS.
5. PRODUCT IS PACKAGED PER PK-70873-610.
6. THIS PART CONFORMS TO CLASS B REQUIREMENTS OF COSMETIC SPEC PS-45499-002.
7. REFER TO MOLEX SALES DRAWING SD-76155-003 FOR THE MATING HEADERS AND SD-76500-002 FOR THE MATING RAM CONNECTORS
8. REFER TO MOLEX PCB MOUNTING GUIDE AS-76060-990 FOR ANTIPAD AND ROUTING RECOMMENDATIONS.
9. PART NUMBER 76160-5120 SHOWN ON DRAWING. KEYING FEATURES WILL CHANGE WITH COLUMN SIZE.
10. MINIMUM BOARD THICKNESS IS 1.00 mm FOR COMPLIANT PIN FUNCTIONALITY.
11. WHEN USING MOLEX SUPPLIED #2-32 SCREW 73726-0000 (9.50mm ±0.38 THREADABLE SCREW LENGTH), THE MAXIMUM BOARD THICKNESS IS 4.4mm.
12. MARKING: LOCATED APPROXIMATELY AS SHOWN. PART NUMBER AND DATE CODE.

THIS DRAWING CONTAINS INFORMATION THAT IS PROPRIETARY TO MOLEX ELECTRONIC TECHNOLOGIES, LLC AND SHOULD NOT BE USED WITHOUT WRITTEN PERMISSION

DIMENSION UNITS	SCALE	CURRENT REV	DESC: MIGRATED TO NX
mm	NTS		
GENERAL TOLERANCES (UNLESS SPECIFIED)			
ANGULAR TOL	± 0.5°	EC NO:	622030
4 PLACES	±	DRWN:	SKRISHNAMU01 2019/07/30
3 PLACES	±	CHK'D:	PRAMASWAMY 2019/08/07
2 PLACES	± 0.13	APPR:	SHONG 2019/08/08
1 PLACE	± 0.25	INITIAL REVISION:	
0 PLACES	±	DRWN:	MCARRANZA 2007/07/11
		APPR:	JLAURX 2007/07/11
DRAFT WHERE APPLICABLE MUST REMAIN WITHIN DIMENSIONS	THIRD ANGLE PROJECTION	DRAWING	SERIES
		C-SIZE	76160
DOCUMENT STATUS		DOC TYPE	DOC PART
P1	RELEASE DATE	PSD	001
2019/08/08	22:00:44	SD-76160-004	G4
MATERIAL NUMBER		CUSTOMER	SHEET NUMBER
SEE CHART	GENERAL MARKET		1 OF 2

MATERIAL NUMBER	# OF COLUMNS	# OF DIFF PAIR	DIM "A" MAX	DIM "B"	PTH ϕ
76160-**06	6	24	19.00	9.50	0.46 ± 0.04
76160-**08	8	32	22.80	13.30	
76160-**10	10	40	26.60	17.10	
76160-**16	16	64	38.00	28.50	
76160-**06	6	24	19.00	9.50	0.39 ± 0.05
76160-**38	8	32	22.80	13.30	
76160-**20	10	40	26.60	17.10	
76160-**26	16	64	38.00	28.50	

76160-****

MODULE & TAIL PLATING TYPE
5 = RIGHT GUIDED LEAD-FREE

POLARIZATION KEY ORIENTATION

0 = NO KEY
1 = A 5 = E
2 = B 6 = F
3 = C 7 = G
4 = D 8 = H

OF COLUMNS
06 = 6 COL 0.46 PTH
08 = 8 COL 0.46 PTH
10 = 10 COL 0.46 PTH
16 = 16 COL 0.46 PTH
20 = 10 COL 0.39 PTH
26 = 16 COL 0.39 PTH
38 = 8 COL 0.39 PTH
36 = 6 COL 0.39 PTH

THIS DRAWING CONTAINS INFORMATION THAT IS PROPRIETARY TO MOLEX ELECTRONIC TECHNOLOGIES, LLC AND SHOULD NOT BE USED WITHOUT WRITTEN PERMISSION

DIMENSION UNITS	SCALE	CURRENT REV DESC: MIGRATED TO NX		molex		
mm	NTS					
GENERAL TOLERANCES (UNLESS SPECIFIED)		EC NO: 622030		IMPACT 100 OHM DC		
ANGULAR TOL	$\pm 0.5^\circ$	DRWN: SKRISHNAMU01	2019/07/30	4 PAIR SIGNAL MODULE GUIDE RIGHT SALES DWG		
4 PLACES	\pm	CHK'D: PRAMASWAMY	2019/08/07	PRODUCT CUSTOMER DRAWING		
3 PLACES	\pm	APPR: SHONG	2019/08/08	DOCUMENT NUMBER		
2 PLACES	± 0.13	INITIAL REVISION:		SD-76160-004		
1 PLACE	± 0.25	DRWN: MCARRANZA	2007/07/11	DOC TYPE	DOC PART	REVISION
0 PLACES	\pm	APPR: JLAURX	2007/07/11	PSD	001	G4
DRAFT WHERE APPLICABLE MUST REMAIN WITHIN DIMENSIONS	THIRD ANGLE PROJECTION	DRAWING	SERIES	MATERIAL NUMBER	CUSTOMER	SHEET NUMBER
		C-SIZE	76160	SEE CHART	GENERAL MARKET	2 OF 2

DOCUMENT STATUS	P1	RELEASE DATE	2019/08/08 22:00:44
-----------------	----	--------------	---------------------