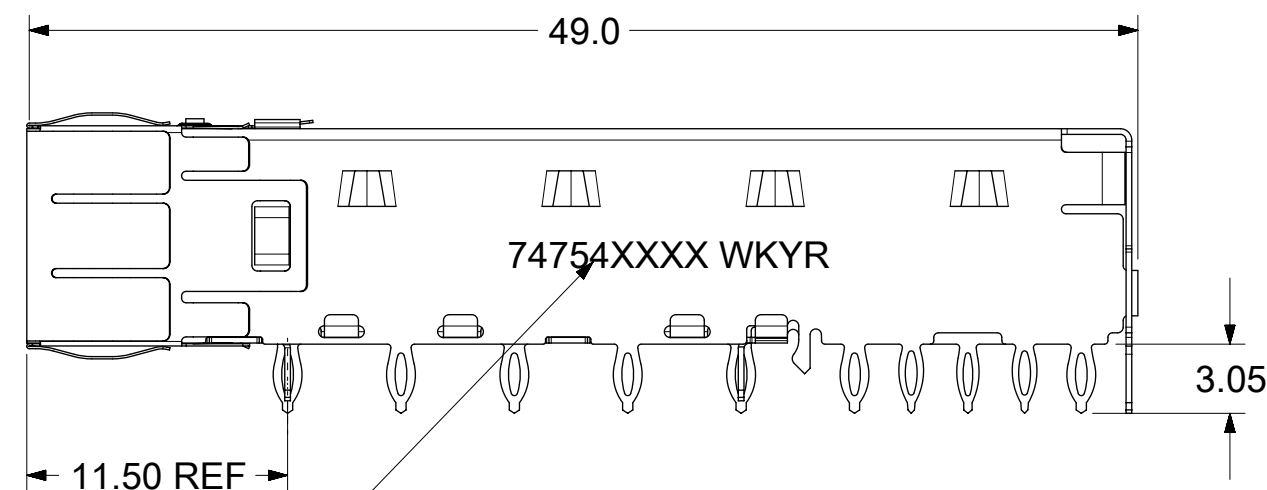
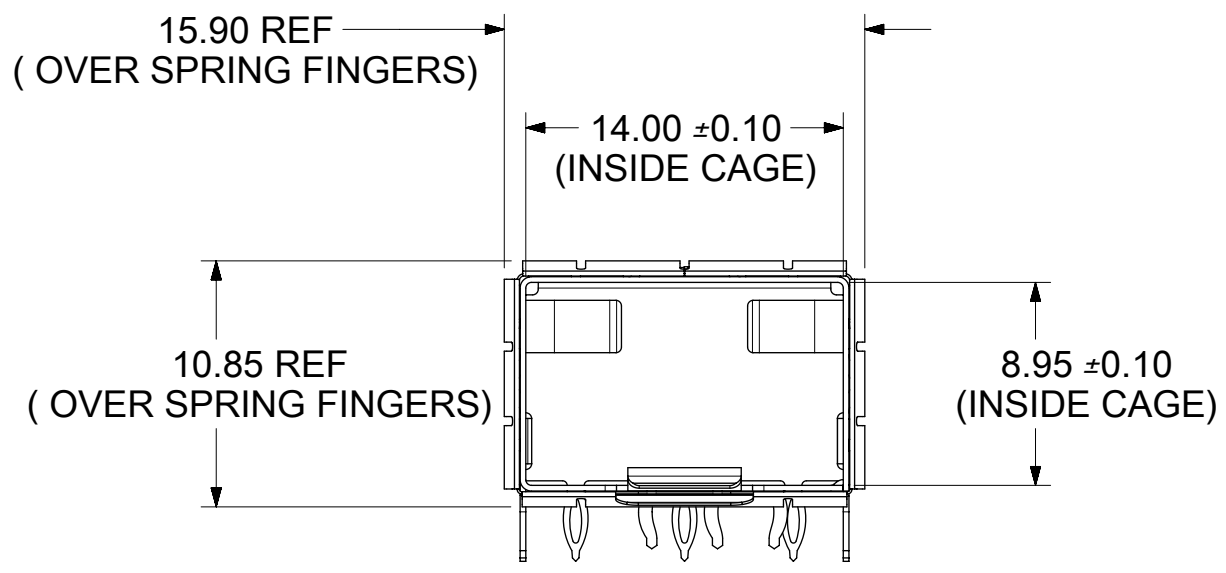


OPTIONAL POLYIMIDE INSULATOR ATTACHED TO BOTTOM OF CAGE MATERIAL NUMBER 747540163 REFERENCE

EMI SPRING FINGER

SFP+ 1X1 CAGE					
PART NO.	POLYIMIDE INSULATOR	WELD POINT QUANTITY	PACKAGING	PLATING	SHEET
747540101	---	0	TRAY	NICKEL	1
747540108	---	6	TRAY	NICKEL	2
747540132	---	0	TRAY	NICKEL	1
747540133	---	0	TRAY	MATT-TIN	1
747541101	YES	0	TRAY	NICKEL	1
747548101	---	0	TAPE & REEL	NICKEL	1



COMPLETED / PARTIAL PART NO. AND WEEK/YEAR DATE CODE TO BE PRINTED / STAMPED ON THE SIDE OF COMPLETED CAGE ASSEMBLY APPROXIMATELY AS SHOWN.

NOTES:

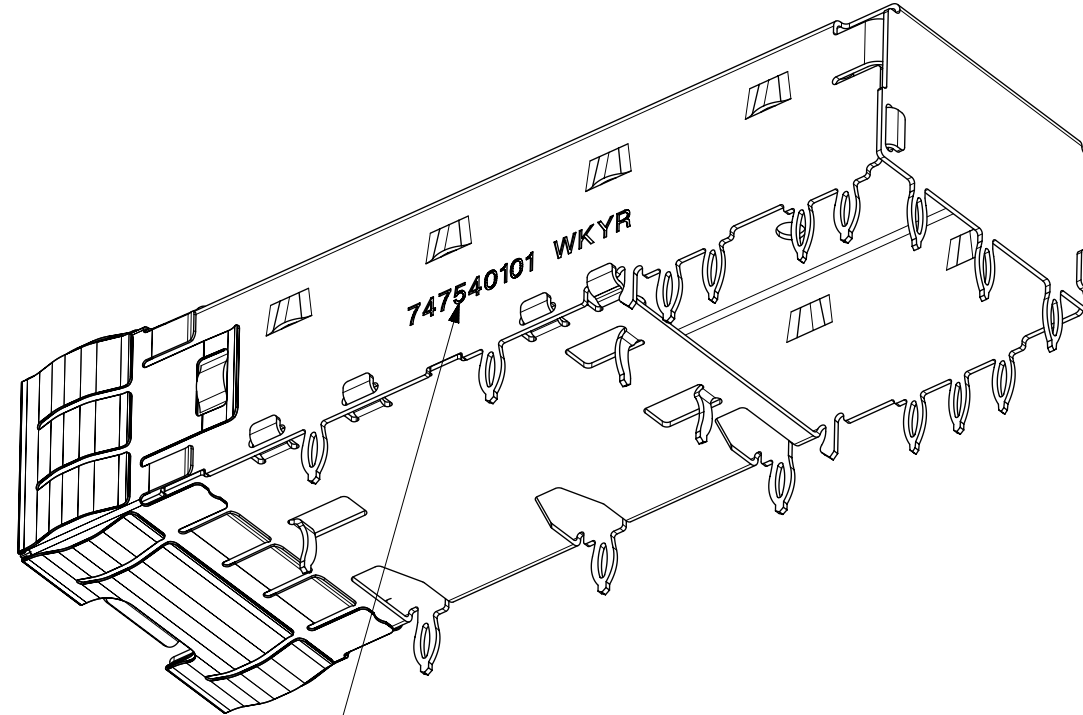
- MATERIAL:  
CAGE: COPPER ALLOY, THICKNESS 0.25mm, PLATING REFER TO TABLE.  
SPRING FINGER: NICKEL PLATED COPPER ALLOY, THICKNESS 0.10mm
- PRESS FIT LEGS 3.05 LONG -  
1.57 MINIMUM PCB THICKNESS FOR SINGLE SIDED USE
- OPTIONAL LIGHT PIPE ASSEMBLY AVAILABLE
- PORTS ARE DESIGNED FOR SFP+ TRANSCEIVERS AND ARE BACKWARDS COMPATIBLE WITH SFP TRANSCEIVERS
- NO RoHS EXEMPTIONS

WEEK/YEAR DATE CODE TABLE	
WK	01 THRU 52 OR 53 EXAMPLE: 01 = FIRST WEEK OF YEAR 52 = LAST WEEK OF YEAR
YR	18, 19, 20 ETC. EXAMPLE: YEAR 2018 = 18

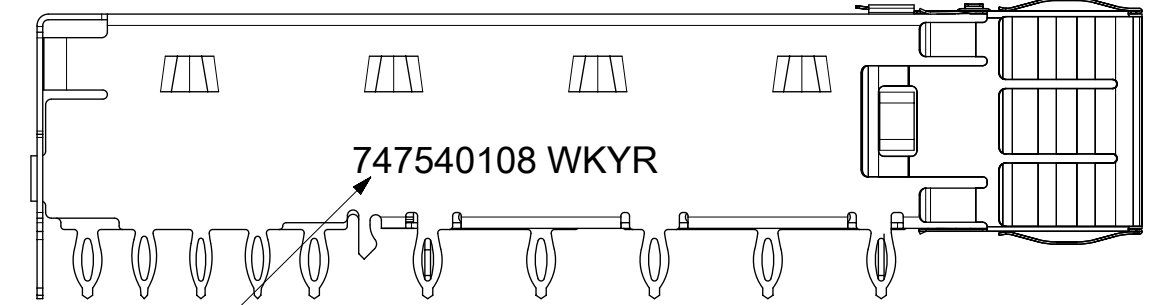
THIS DRAWING CONTAINS INFORMATION THAT IS PROPRIETARY TO MOLEX ELECTRONIC TECHNOLOGIES, LLC AND SHOULD NOT BE USED WITHOUT WRITTEN PERMISSION

DIMENSION UNITS	SCALE	CURRENT REV DESC: SEE REVISION TABLE		<b>molex</b>			
mm	3:1						
GENERAL TOLERANCES (UNLESS SPECIFIED)		EC NO: 177979		SFP+ 1X1 CAGE ASSY PRESS FIT, WITH EMI SPRING FINGERS			
ANGULAR TOL	± 0.5°	DRWN: DSUN15	2018/06/14				
4 PLACES	±	CHK'D: YYEH	2018/06/15	PRODUCT CUSTOMER DRAWING			
3 PLACES	±	APPR: RCHEN08	2018/06/20				
2 PLACES	± 0.13	INITIAL REVISION:		DOCUMENT NUMBER			
1 PLACE	± 0.25	DRWN: MAZAM	2017/01/16				747540101
0 PLACES	±	APPR: RCHEN08	2018/01/05	DOC TYPE	DOC PART	REVISION	
DRAFT WHERE APPLICABLE MUST REMAIN WITHIN DIMENSIONS		THIRD ANGLE PROJECTION	DRAWING	SERIES	MATERIAL NUMBER	CUSTOMER	SHEET NUMBER
			C-SIZE	74754	SEE PART NUMBER TABLE	GENERAL MARKET	1 OF 6

747540108



MOLEX INTERNAL USE ONLY



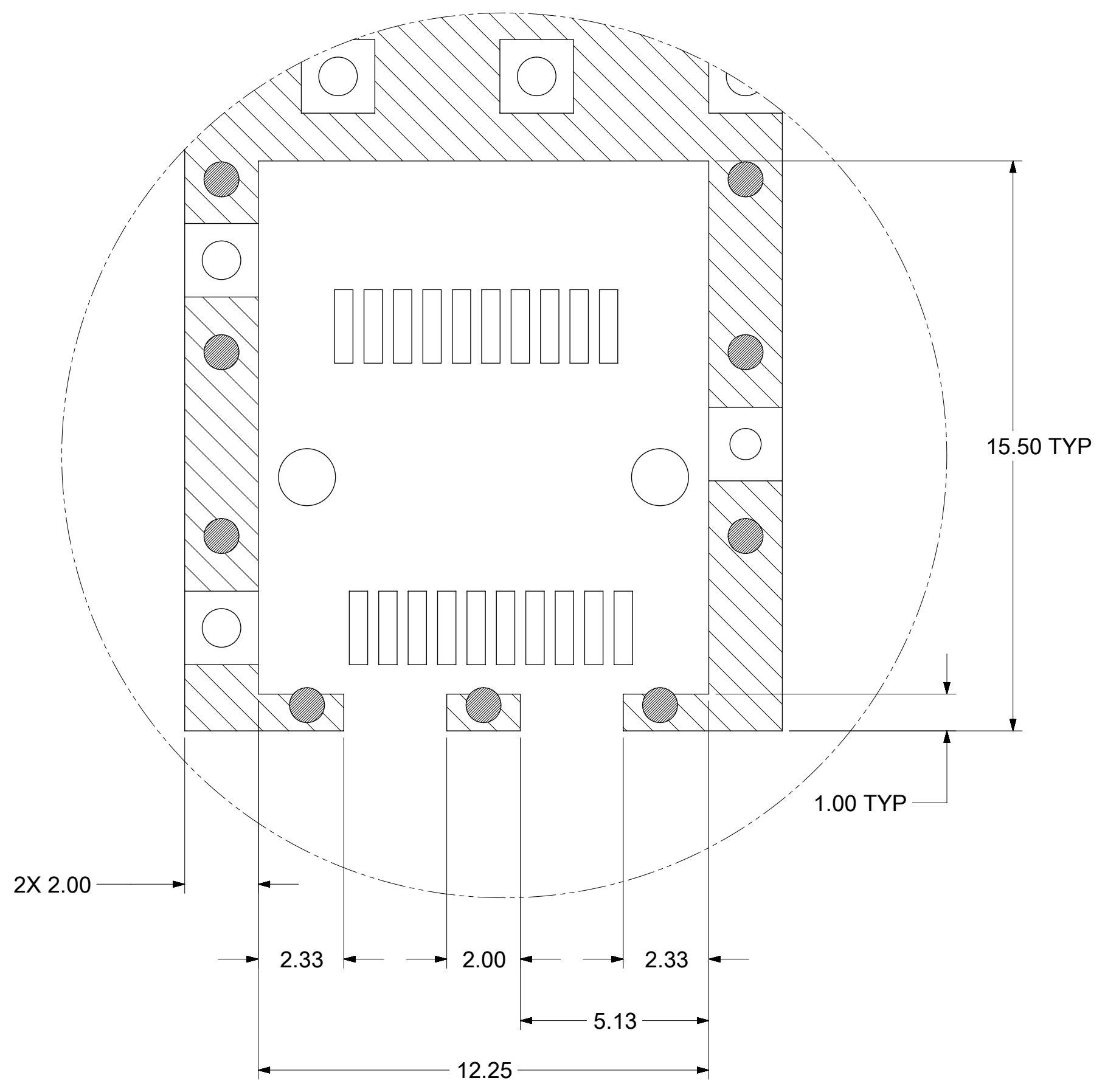
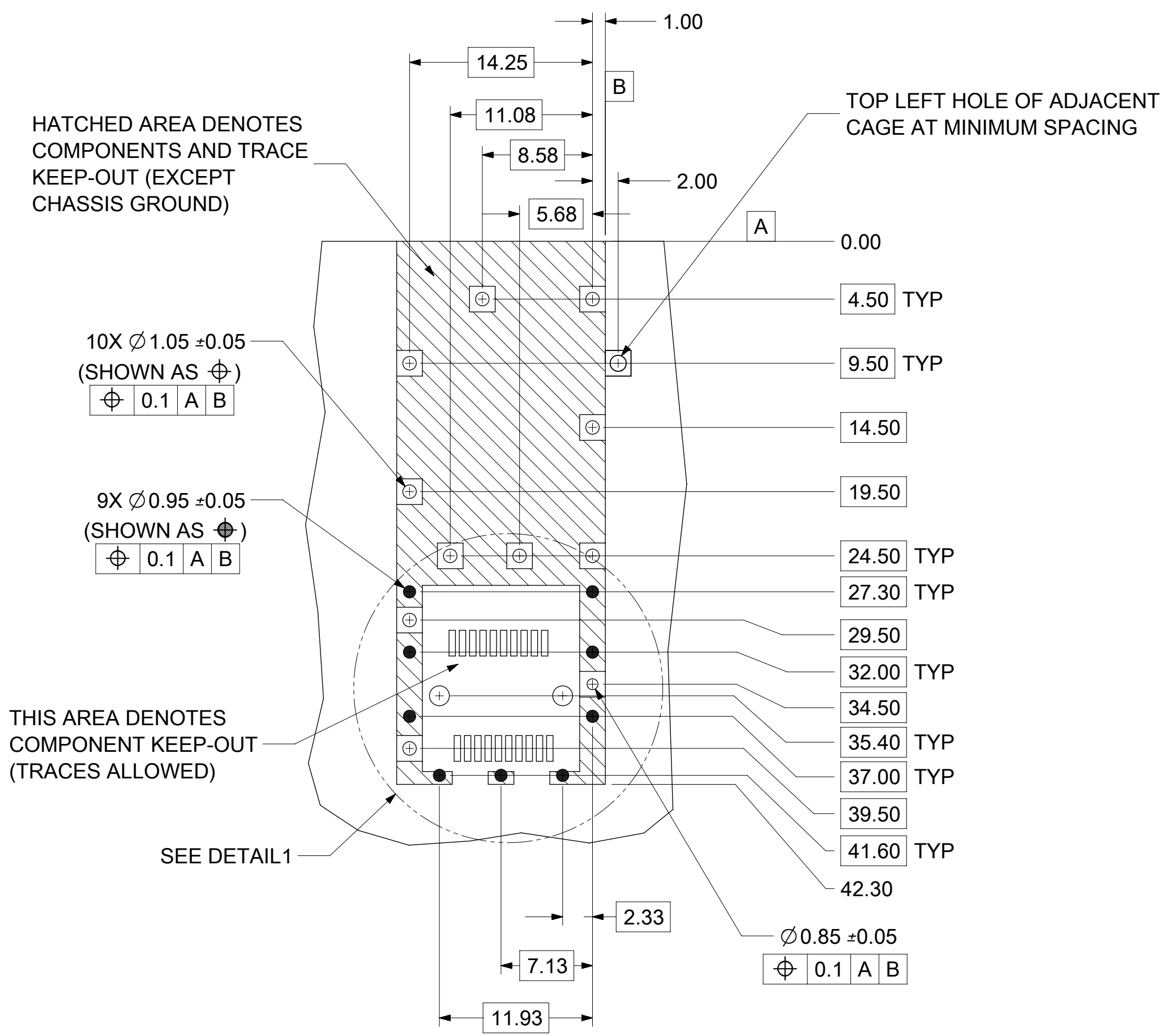
COMPLETED PART NO. AND WEEK/YEAR DATE CODE TO BE PRINTED ON THE SIDE OF COMPLETED CAGE ASSEMBLY APPROXIMATELY AS SHOWN.

THIS DRAWING CONTAINS INFORMATION THAT IS PROPRIETARY TO MOLEX ELECTRONIC TECHNOLOGIES, LLC AND SHOULD NOT BE USED WITHOUT WRITTEN PERMISSION

DIMENSION UNITS		SCALE		CURRENT REV DESC: SEE REVISION TABLE				<b>molex</b>							
mm		5:1													
GENERAL TOLERANCES (UNLESS SPECIFIED)				EC NO: 177979				SFP+ 1X1 CAGE ASSY PRESS FIT, WITH EMI SPRING FINGERS							
ANGULAR TOL ± 0.5°				DRWN: DSUN15 2018/06/14											
4 PLACES ±				CHK'D: YYEH 2018/06/15											
3 PLACES ±				APPR: RCHEN08 2018/06/20				PRODUCT CUSTOMER DRAWING							
2 PLACES ± 0.13				INITIAL REVISION:				DOCUMENT NUMBER		DOC TYPE		DOC PART		REVISION	
1 PLACE ± 0.25				DRWN: MAZAM 2017/01/16				747540101		PSD		ASY		M	
0 PLACES ±				APPR: RCHEN08 2018/01/05											
DRAFT WHERE APPLICABLE MUST REMAIN WITHIN DIMENSIONS				THIRD ANGLE PROJECTION		DRAWING		SERIES		MATERIAL NUMBER		CUSTOMER		SHEET NUMBER	
						C-SIZE		74754		GENERAL MARKET		2 OF 6			

DOCUMENT STATUS	P1	RELEASE DATE	2018/06/20	08:31:44
-----------------	----	--------------	------------	----------

# PCB LAYOUT FOR SINGLE SIDE MOUNT

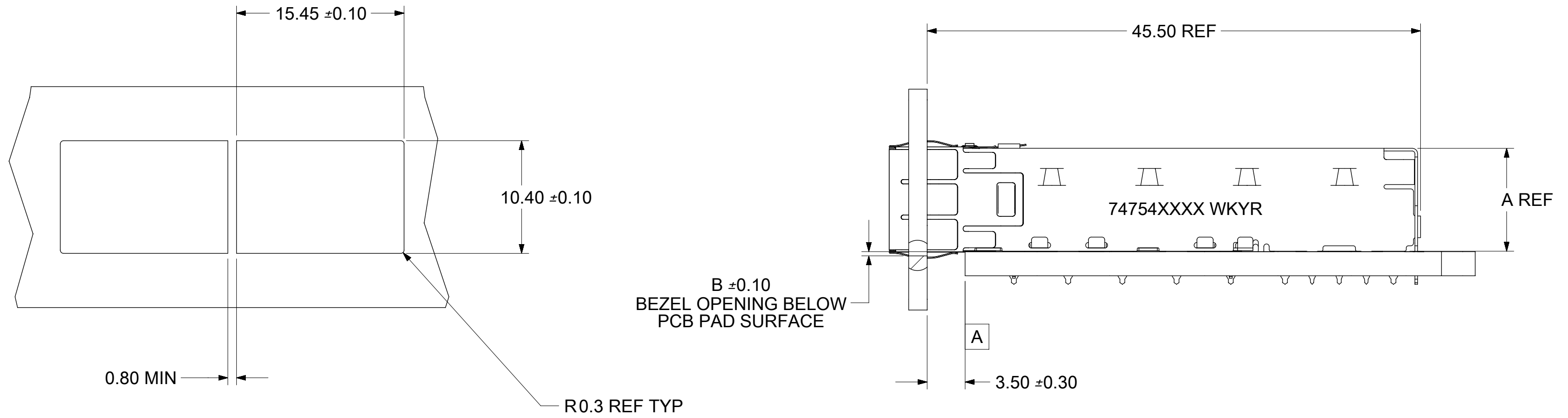


DETAIL 1  
SCALE 8:1  
HOST CONNECTOR DETAIL

- NOTES:
1. PADS AND VIAS CONNECT TO CHASSIS GROUND (RECOMMEND PADS TO BE 2.00mm SQUARE)
  2. RECOMMENDED THRU HOLE PLATING INCLUDES HASL, OSP, OR IMMERSION (GOLD, SILVER, OR TIN).
  3. CONNECTOR PAD LAYOUT PER SFP+ MSA WILL ACCOMMODATE MOLEX CONNECTOR SERIES 74441 OR EQUIVALENT.

THIS DRAWING CONTAINS INFORMATION THAT IS PROPRIETARY TO MOLEX ELECTRONIC TECHNOLOGIES, LLC AND SHOULD NOT BE USED WITHOUT WRITTEN PERMISSION									
DIMENSION UNITS		SCALE		CURRENT REV DESC: SEE REVISION TABLE					
mm		3:1		<p><b>molex</b></p> <p>SFP+ 1X1 CAGE ASSY PRESS FIT, WITH EMI SPRING FINGERS</p> <p>PRODUCT CUSTOMER DRAWING</p> <p>DOCUMENT NUMBER: 747540101   DOC TYPE: PSD   DOC PART: ASY   REVISION: M</p> <p>MATERIAL NUMBER: SEE PART NUMBER TABLE   CUSTOMER: GENERAL MARKET   SHEET NUMBER: 3 OF 6</p>					
GENERAL TOLERANCES (UNLESS SPECIFIED)									
ANGULAR TOL ± 0.5°									
4 PLACES ±		EC NO: 177979							
3 PLACES ±		DRWN: DSUN15 2018/06/14							
2 PLACES ± 0.13		CHK'D: YYEH 2018/06/15							
1 PLACE ± 0.25		APPR: RCHEN08 2018/06/20							
0 PLACES ±		INITIAL REVISION:							
DRAFT WHERE APPLICABLE MUST REMAIN WITHIN DIMENSIONS		THIRD ANGLE PROJECTION		DRAWING		SERIES		MATERIAL NUMBER	
		C-SIZE		74754		2017/01/16		CUSTOMER	
						2018/01/05		GENERAL MARKET	

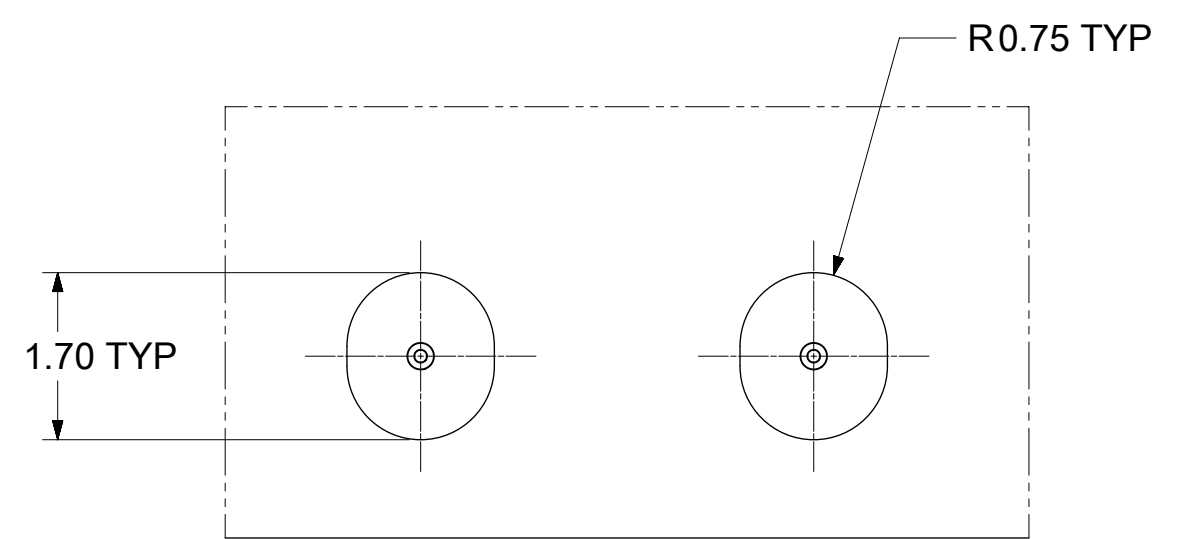
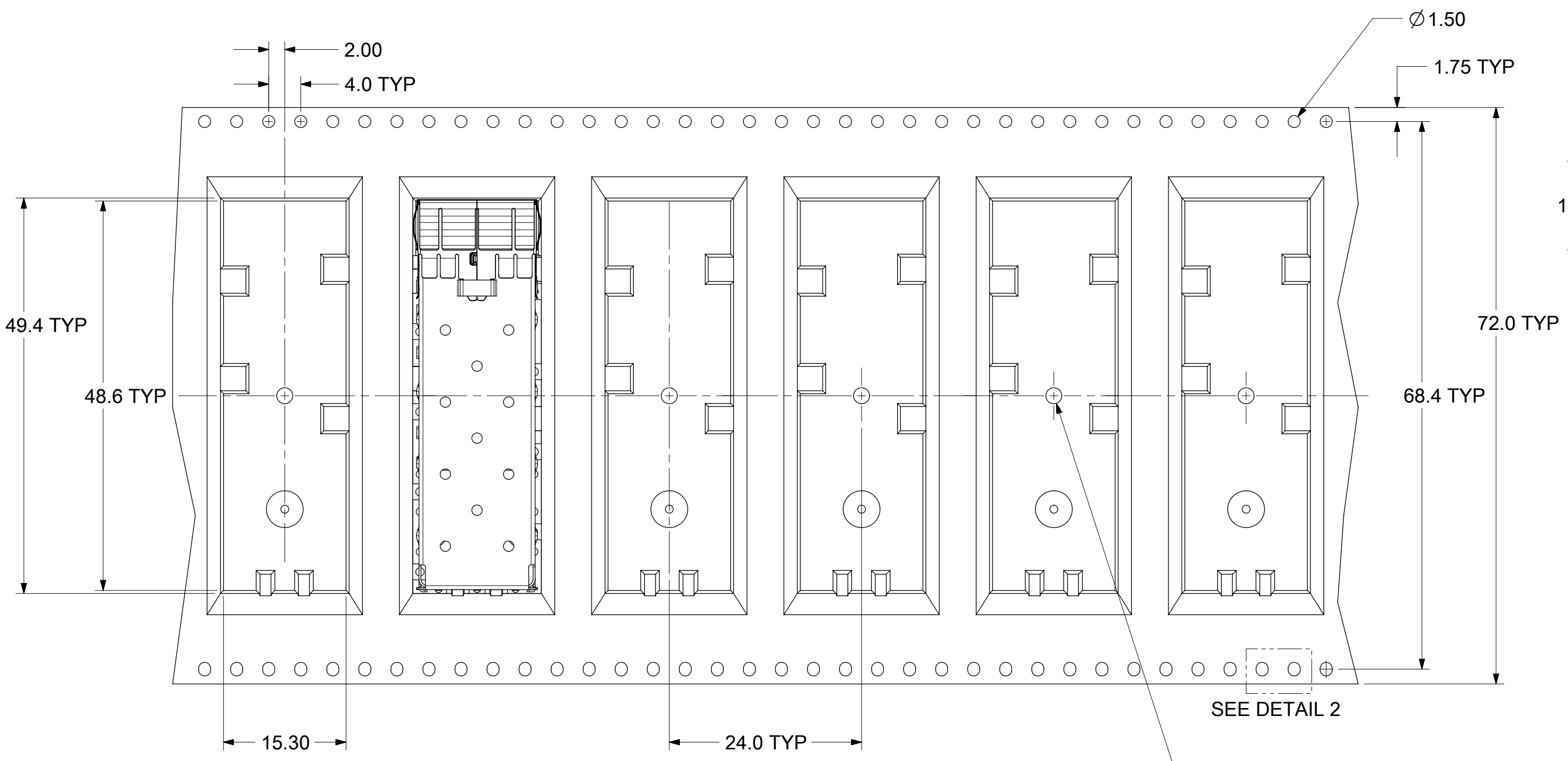
# BEZEL AND BOARD POSITION DIMENSIONS FOR SINGLE SIDE MOUNTING (SPRING FINGER)



SFP+ 1X1 CAGE		
PART NO.	DIM A	DIM B
747540101	9.47	0.43
747540108	9.47	0.43
747540132	9.65	0.25
747540133	9.65	0.25
747541101	9.47	0.43
747548101	9.47	0.43

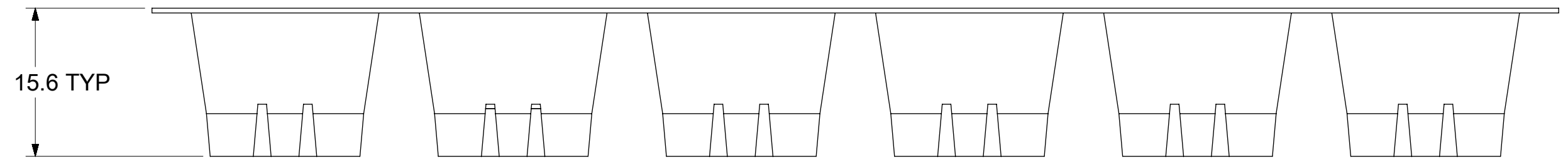
THIS DRAWING CONTAINS INFORMATION THAT IS PROPRIETARY TO MOLEX ELECTRONIC TECHNOLOGIES, LLC AND SHOULD NOT BE USED WITHOUT WRITTEN PERMISSION										
DIMENSION UNITS	SCALE	CURRENT REV DESC: SEE REVISION TABLE				molex				
mm	3:1					SFP+ 1X1 CAGE ASSY PRESS FIT, WITH EMI SPRING FINGERS				
GENERAL TOLERANCES (UNLESS SPECIFIED)						PRODUCT CUSTOMER DRAWING				
ANGULAR TOL	± 0.5°	EC NO: 177979		2018/06/14		DOCUMENT NUMBER		DOC TYPE   DOC PART   REVISION		
4 PLACES	±	DRWN: DSUN15		2018/06/15		747540101		PSD	ASY	M
3 PLACES	±	CHK'D: YYEH		2018/06/20						
2 PLACES	± 0.13	APPR: RCHEN08								
1 PLACE	± 0.25	INITIAL REVISION:								
0 PLACES	±	DRWN: MAZAM		2017/01/16		MATERIAL NUMBER		CUSTOMER		SHEET NUMBER
DRAFT WHERE APPLICABLE MUST REMAIN WITHIN DIMENSIONS		THIRD ANGLE PROJECTION		DRAWING		SERIES		SEE PART NUMBER TABLE		GENERAL MARKET
				C-SIZE		74754		4 OF 6		

DOCUMENT STATUS	P1	RELEASE DATE	2018/06/20	08:31:44
-----------------	----	--------------	------------	----------



DETAIL 2  
SCALE 13:1

TAPE FEED DIRECTION →



THIS DRAWING CONTAINS INFORMATION THAT IS PROPRIETARY TO MOLEX ELECTRONIC TECHNOLOGIES, LLC AND SHOULD NOT BE USED WITHOUT WRITTEN PERMISSION									
DIMENSION UNITS		SCALE		CURRENT REV DESC: SEE REVISION TABLE					
mm		2:1		<p><b>molex</b></p> <p>SFP+ 1X1 CAGE ASSY PRESS FIT, WITH EMI SPRING FINGERS</p> <p>PRODUCT CUSTOMER DRAWING</p>					
GENERAL TOLERANCES (UNLESS SPECIFIED)									
ANGULAR TOL		± 0.5°							
4 PLACES		±							
3 PLACES		±							
2 PLACES		± 0.13		INITIAL REVISION:		DOCUMENT NUMBER		DOC TYPE   DOC PART   REVISION	
1 PLACE		± 0.25		DRWN: MAZAM		2017/01/16		747540101	
0 PLACES		±		APPR: RCHEN08		2018/01/05		PSD   ASY   M	
DRAFT WHERE APPLICABLE MUST REMAIN WITHIN DIMENSIONS				THIRD ANGLE PROJECTION		DRAWING		SERIES	
						C-SIZE		74754	
DOCUMENT STATUS				MATERIAL NUMBER		CUSTOMER		SHEET NUMBER	
P1				SEE PART NUMBER TABLE		GENERAL MARKET		5 OF 6	
RELEASE DATE		2018/06/20 08:31:44							

REV	DATE	DESCRIPTION
E	2014/01/10	1. ADDED P/N: 747541101. [SHT 1] 2. ADDED P/N: 747540108. [SHT 1] 3. ADDED REV HISTORY LIST. [SHT 5]
F	2014/02/24	1. ADDED P/N: 747540132 & 747540133 [SHT 1] [SHT 3] REMOVE NOTE 6 [SHT 1]
G	2014/07/04	1. REVISED 747540132 & 747540133 DIM B FROM 0.40 TO 0.25.[SHEET 3]
H	2014/09/11	1. ADDED DIMENSION " 11.50 REF. " @D14. [SHEET 1]
J	2015/02/25	1. P/N DESCRIPTION CHANGED AS "COMPLETED / PARTIAL PART NO. AND WEEK/YEAR DATE CODE TO BE PRINTED / STAMPED ON THE SIDE OF COMPLETED CAGE ASSEMBLY APPROXIMATELY AS SHOWN." [SHEET 1]
K	2018/01/04	1. REMASTERED FROM SD-74754-0101 REV_ J TO 747540101 PSD ASY REV_ K IN NX. 2. SHEET 3 : E7 : ADDED DIMENSION R0.3 REF TYP
L	2018/01/23	1.SHEET 1: CORRECTED TYPO TO CHANGE WELDING POINT FROM 14 TO 6 PCS MATCHING WITH ACTUAL SAMPLE FOR 747540108
L1	2018/02/05	UPDATED DRAWING TO REMOVE PRE-RELEASE STAMP FOR ALL SHEET BECAUSE OF SYSTEM PROBLEM
L2	2018/03/07	UPDATED THE DRAWING TO ADD THE MATERIAL NUMBER ON THE TITLE BLOCK
L3	2018/03/12	SHEET 1: G06: CORRECTED SYSTEM ERROR TO ADD THE 74754XXXX WKYR SHEET 3: F04: CHANGED FROM SPECIFIC P/N 747540101 TO COMMON P/N 74754XXXX FOR BETTER UNDERSTANDING
L4	2018/03/20	SHEET 3: F04: CORRECTED THE SYSTEM ERROR ABOUT POSITION OF 74754XXXX WKYR
M	2018/06/14	ADDED SHEET 2 FOR 747540108 DETAIL AND ADDED 747540108WKYR PRINTING ON SIDE OF CAGE FOR BETTER UNDERSTANDING

THIS DRAWING CONTAINS INFORMATION THAT IS PROPRIETARY TO MOLEX ELECTRONIC TECHNOLOGIES, LLC AND SHOULD NOT BE USED WITHOUT WRITTEN PERMISSION

DIMENSION UNITS	SCALE	CURRENT REV DESC: SEE REVISION TABLE		<b>molex</b>		
mm	1:1					
GENERAL TOLERANCES (UNLESS SPECIFIED)		EC NO: 177979		SFP+ 1X1 CAGE ASSY PRESS FIT, WITH EMI SPRING FINGERS		
ANGULAR TOL	± 0.5°	DRWN: DSUN15	2018/06/14			
4 PLACES	±	CHK'D: YYEH	2018/06/15	PRODUCT CUSTOMER DRAWING		
3 PLACES	±	APPR: RCHEN08	2018/06/20			
2 PLACES	± 0.13	INITIAL REVISION:		DOCUMENT NUMBER	DOC TYPE	DOC PART
1 PLACE	± 0.25	DRWN: MAZAM	2017/01/16	747540101	PSD	ASY
0 PLACES	±	APPR: RCHEN08	2018/01/05			M
DRAFT WHERE APPLICABLE MUST REMAIN WITHIN DIMENSIONS	THIRD ANGLE PROJECTION	DRAWING	SERIES	MATERIAL NUMBER	CUSTOMER	SHEET NUMBER
		C-SIZE	74754	SEE PART NUMBER TABLE	GENERAL MARKET	6 OF 6