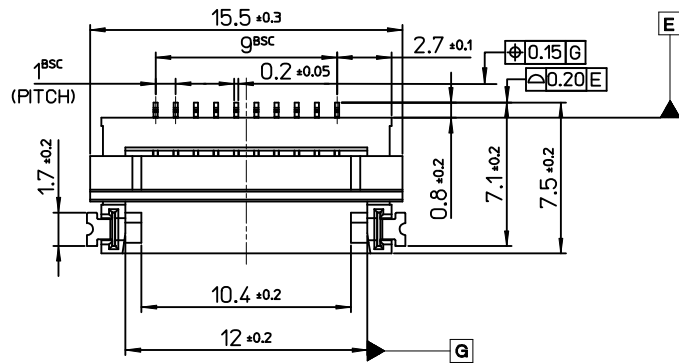


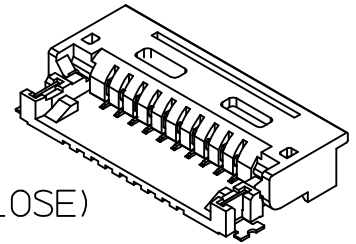
LEAD FREE

MOLEX CONFIDENTIAL

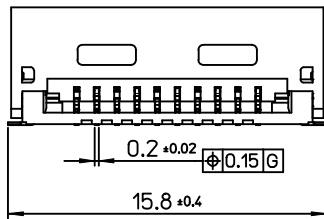


(OPEN)

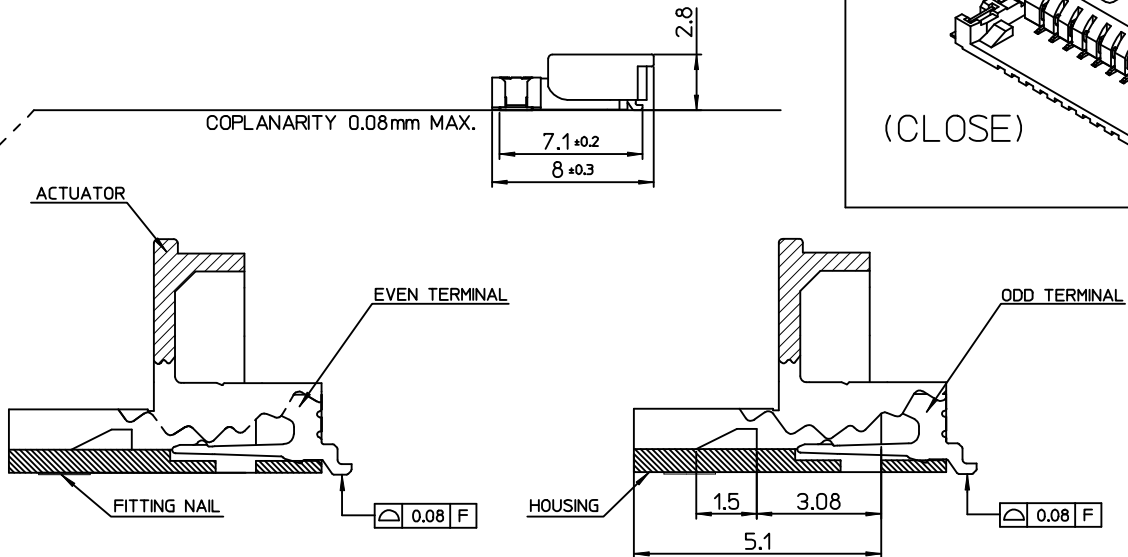
ISOMETRIC VIEW



(CLOSE)



COPLANARITY : 0.08 MAX.



NOTES

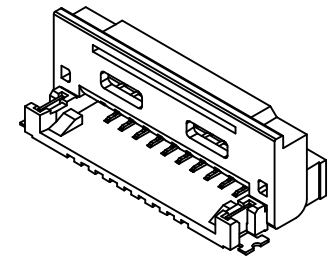
- MATERIAL
 - HOUSING : PA46, GLASS FILLED. UL94V-0, COLOR: BEIGE (NON HALOGEN FREE, 49456-1017) LCP, GLASS FILLED, UL94V-0, COLOR: NATURAL (HALOGEN FREE, 49456-1047)
 - ACTUATOR : LCP,(OR NYLON) GLASS FILLED. UL94V-0, COLOR:BLACK
 - TERMINAL : COPPER ALLOY
 - FITTING NAIL : COPPER ALLOY
- FINISHES
 - TERMINAL : Tin[Sn] 1.5~3um OVER NICKEL(Ni) PLATING 2~4um
 - FITTING NAIL : TIN(Sn) 1~3um OVER NICKEL(Ni) PLATING 1~3um
- PRODUCT SPECIFICATION : PS-49456-001
- PACKING SPECIFICATION : PK-49456-001
- ACTUATOR IS OPEN IN THE EMBOSSED PACKING

HALOGEN FREE	494561047	10
NON HALOGEN FREE	494561017	
TYPE	MATERIAL NO.	CKT

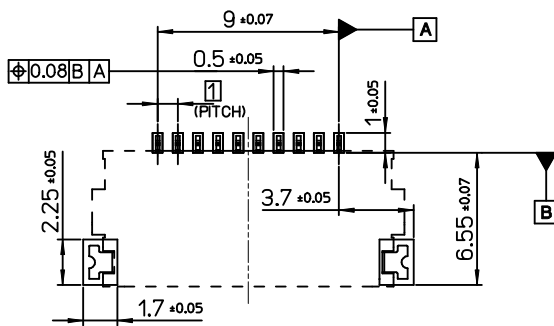
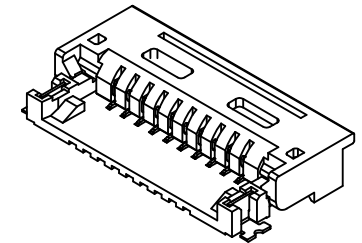
REVISED EC NO: KOR2017-0033 DRW:KJHWANG 2016/12/01 CHK:DKSKIM 2016/12/01 APPR:YSKIM02 2016/12/05 B4	QUALITY SYMBOLS ▽=0 ◻=0	GENERAL TOLERANCES (UNLESS SPECIFIED)		DIMENSION STYLE MM ONLY		SCALE	DESIGN UNITS	THIRD ANGLE PROJECTION		
		4 PLACES	± ---	± ---	DRAWN BY	DATE	TITLE	1.0 FFC BACKFLIP CONN. HOUSING ASSY 10P (BOTTOM CONTACT) MOLEX INCORPORATED SD-49456-001 1 OF 3		
		3 PLACES	± ---	± ---	CHECKED BY	DATE				
		2 PLACES	± 0.25	± ---	APPROVED BY	DATE				
1 PLACE	± 0.3	± ---	YSOOKIM	2007/01/22						
		ANGULAR ± 1 °		MATERIAL NO.		DOCUMENT NO.				
DRAFT WHERE APPLICABLE MUST REMAIN WITHIN DIMENSIONS				SEE TABLE						
				SIZE A3		THIS DRAWING CONTAINS INFORMATION THAT IS PROPRIETARY TO MOLEX INCORPORATED AND SHOULD NOT BE USED WITHOUT WRITTEN PERMISSION				

LEAD-FREE

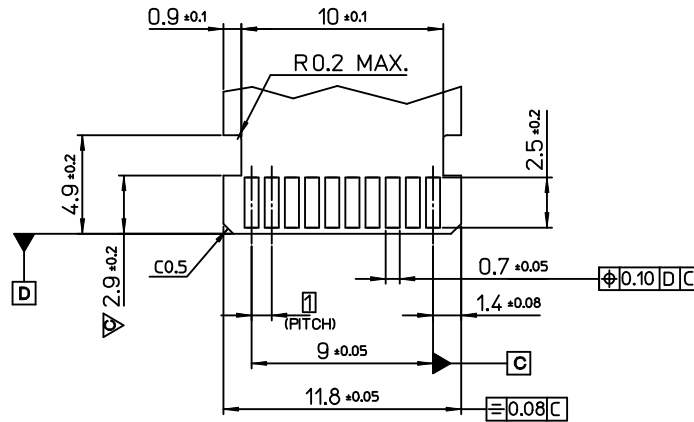
MOLEX CONFIDENTIAL



ISOMETRIC VIEW



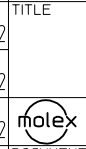
P.C. BOARD DIMENSION (RECOMMEND)



FPC/FFC DIMENSION (RECOMMEND)
(FLIM THICKNESS = 0.3 ± 0.05)

HALOGEN FREE	494561047	10
NON HALOGEN FREE	494561017	
TYPE	MATERIAL NO.	CKT

REVIDED EC NO: KOR2017-0033 DRW: KYHWANG 2016/12/01 CHK: KSKIM 2016/12/01 APPR: YSKIM02 2016/12/05	QUALITY SYMBOLS ▽=0 ◻=0	GENERAL TOLERANCES (UNLESS SPECIFIED)		DIMENSION STYLE MM ONLY		SCALE	DESIGN UNITS	THIRD ANGLE PROJECTION		
			mm	INCH	DRAWN BY	DATE	TITLE			
		4 PLACES	± ---	± ---	JHLEE05	2007/01/22	1.0 FFC BACKFLIP CONN. HOUSING ASSY 10P (BOTTOM CONTACT)			
		3 PLACES	± ---	± ---	CHECKED BY	DATE				
	2 PLACES	± 0.25	± ---	KSKIM	2007/01/22					
	1 PLACE	± 0.3	± ---	APPROVED BY	DATE					
		ANGULAR ± 1 °		YSOOKIM	2007/01/22					
		DRAFT WHERE APPLICABLE MUST REMAIN WITHIN DIMENSIONS		MATERIAL NO.						
				SEE TABLE						
				SIZE A3	THIS DRAWING CONTAINS INFORMATION THAT IS PROPRIETARY TO MOLEX INCORPORATED AND SHOULD NOT BE USED WITHOUT WRITTEN PERMISSION					

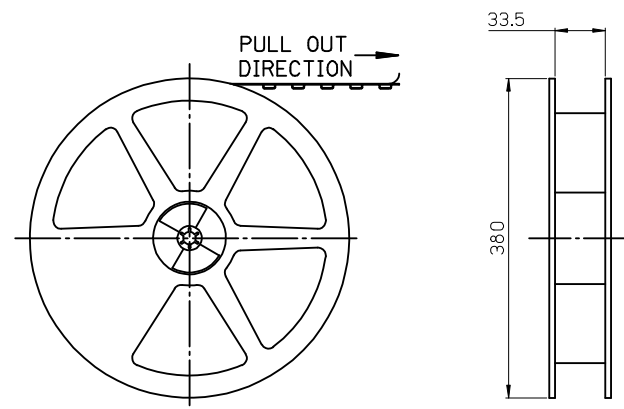
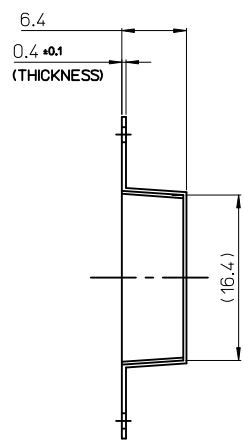
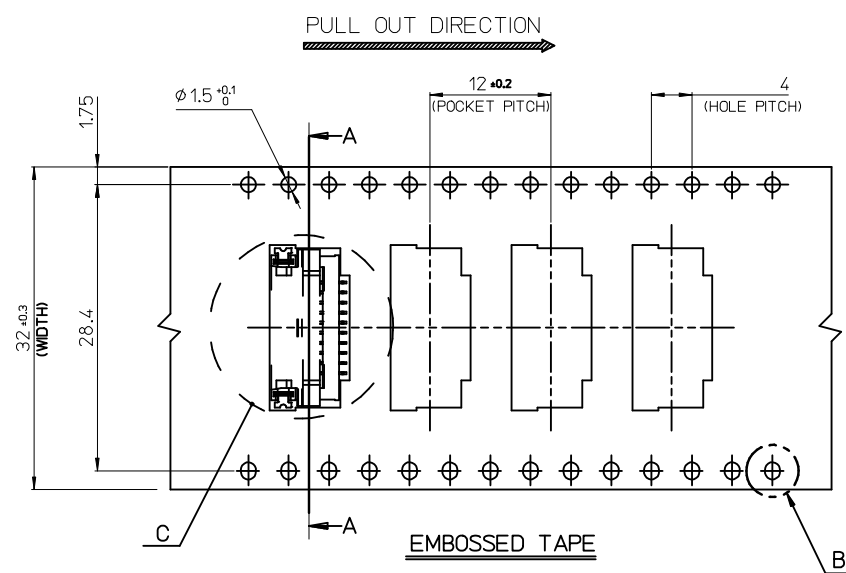


MOLEX INCORPORATED

SD-49456-001

SHEET NO. 2 OF 3

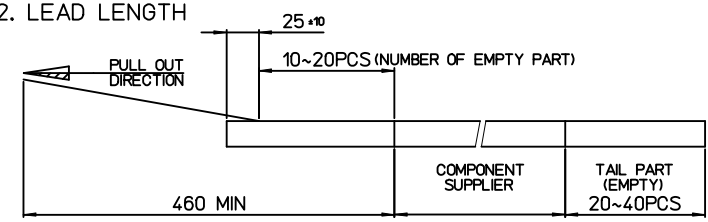
10 9 8 7 6 5 4 3 2 1



PLASTIC BOBBIN

NOTES

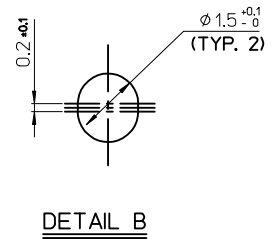
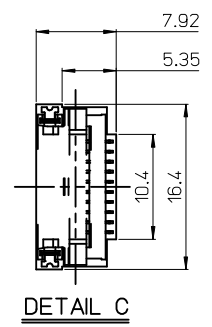
- 1. QUANTITY OF CONNECTORS : 1200PCS/REEL
- 2. LEAD LENGTH



- 3. PEELING OFF FORCE OF COVER TAPE : 0.1N~0.59N(10.2GF~60GF)
(PEELING DIRECTION AS SHOW IN FOLLOW FIG.)
PEELING OFF SPEED : 300mm/Min.(Ref.)



- 4. FLASH IN ANY PORTION SHOULD BE LESS THAN 0.20mm MAX.



HALOGEN FREE	494561047	494561040	49456-9910	32mm
NON-HALOGEN FREE	494561017	494561010		
TYPE	MATERIAL NO.	CONNECTOR	EMBOSS TAPE	TAPE WIDTH
3	PLASTIC BOBBIN	HI P.S	WHITE	
2	COVER TAPE	P.E.T	25.5mm	
1	CARRIER (EMBOSS) TAPE	P.E.T	-	
NO.	DESCRIPTION	MATERIAL	REMARK	

REVISED
 EC NO: KOR2017-0033
 DRWNG: YHWANG 2016/12/01
 CHKD: KSK IM 2016/12/01
 APPR: YSKI MO2 2016/12/05

QUALITY SYMBOLS	▽=0	◇=0
	GENERAL TOLERANCES (UNLESS SPECIFIED)	
	mm	INCH
4 PLACES	± ---	± ---
3 PLACES	± ---	± ---
2 PLACES	± 0.25	± ---
1 PLACE	± 0.3	± ---
ANGULAR ± 1 °		
DRAFT WHERE APPLICABLE MUST REMAIN WITHIN DIMENSIONS		

DIMENSION STYLE		SCALE	DESIGN UNITS
MM ONLY			METRIC
DRAWN BY	DATE	TITLE	
JHLEE05	2007/01/22	1.0 FFC BACKFLIP CONN. HOUSING ASSY 10P (BOTTOM CONTACT)	
CHECKED BY	DATE	MOLEX INCORPORATED	
KSK IM	2007/01/22	SD-49456-001	
APPROVED BY	DATE	SHEET NO.	
YSOOKIM	2007/01/22	3 OF 3	
MATERIAL NO.		DOCUMENT NO.	
SEE TABLE			

THIRD ANGLE PROJECTION	
MATERIAL NO. SD-49456-001	
DOCUMENT NO.	
SHEET NO. 3 OF 3	
THIS DRAWING CONTAINS INFORMATION THAT IS PROPRIETARY TO MOLEX INCORPORATED AND SHOULD NOT BE USED WITHOUT WRITTEN PERMISSION	

9 8 7 6 5 4 3 2 1