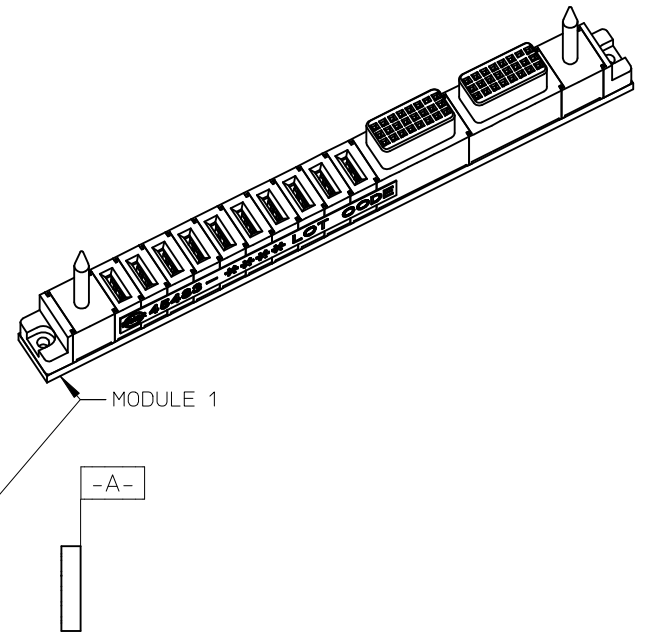
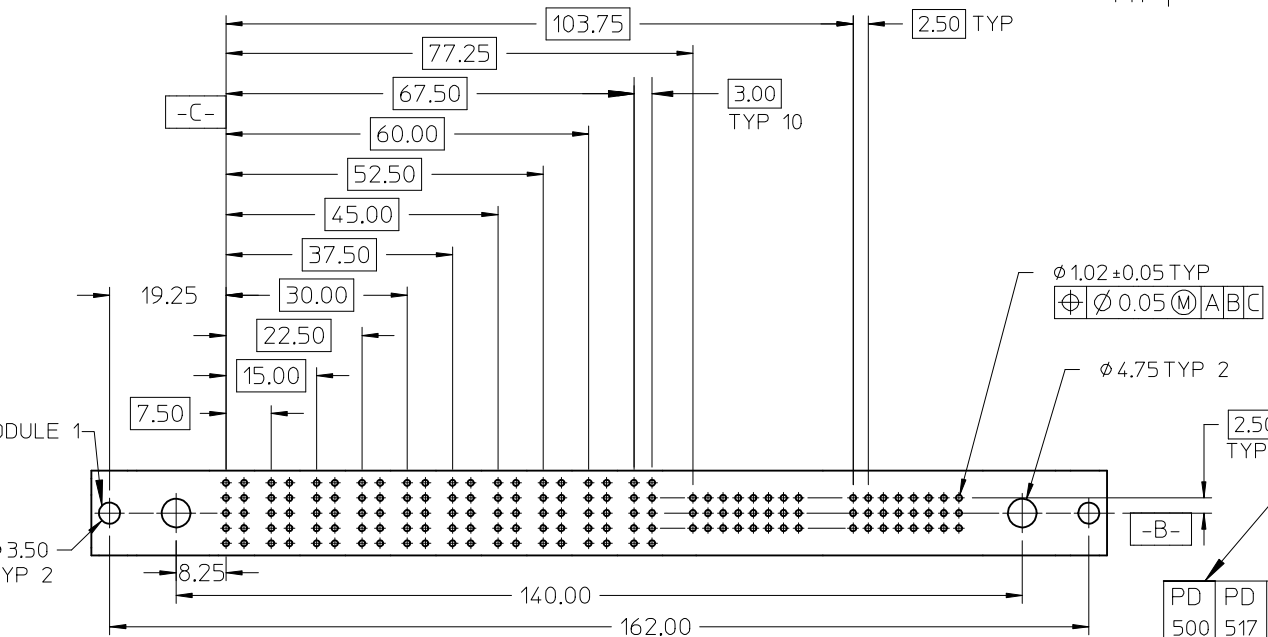
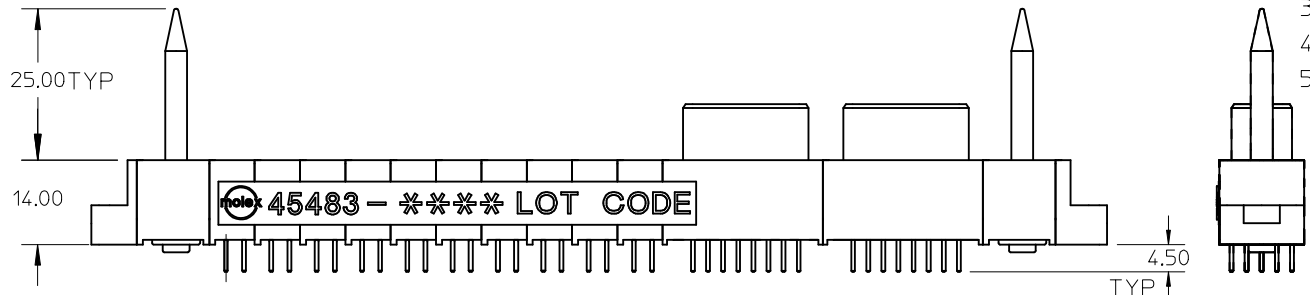


- NOTES:
- MATERIAL: LCP, GLASS FILLED, UL94V-0, BLACK.  
CONTACTS: COPPER ALLOY
  - FINISH: SELECT GOLD: 30 MI MIN.  
SELECT TIN: 100 MI MIN.  
BOTH OVER NICKEL.
  - PRODUCT SPECIFICATION: PS-45424-001.
  - PACKAGING SPECIFICATION: PK-45483-001.
  - ACTIVE GUIDE ACCEPTS SCREW SIZE: 4-40 UNC-2A.



PD	PD	PD	PD	PD	PD	PD	PD	PD	PD	PD	PD	PD	PD	PD	PD	PD
500	517	100	100	100	100	100	100	100	100	100	100	301	301	517	501	

PCB LAYOUT: COMPONENT SIDE  
PCB THICKNESS: 3.18  
PCB TOLERANCE: ± 0.05

EC NO: UCP2005-1959  
DRWN: ADRATN02005/05/12  
CHKD: SAMIEC 2005/05/16  
APPR: YMARGULI 2005/05/18

DESCRIPTION

REV

GENERAL TOLERANCES (UNLESS SPECIFIED)

	mm	INCH
4 PLACES	± ---	± ---
3 PLACES	± ---	± ---
2 PLACES	± 0.25	± ---
1 PLACE	± 0.38	± ---

ANGULAR ± 1/2°

DRAFT WHERE APPLICABLE

MUST REMAIN WITHIN DIMENSIONS

SCALE 1:1.33

DESIGN UNITS METRIC

DIMENSION STYLE MM ONLY

DRAWN BY DATE

SCHAFFER

CHECKED BY DATE

SAMIEC

APPROVED BY DATE

MARGULIS

THIRD ANGLE PROJECTION

REVISE ON CAD ONLY

TITLE

POWER DOCK ASSEMBLY SOCKET VERTICAL SOLDER TAIL

MOLEX MOLEX INCORPORATED

MATERIAL NO. 454830149

DOCUMENT NO. SD-45483-149

SHEET NO. 1 OF 1

THIS DRAWING CONTAINS INFORMATION THAT IS PROPRIETARY TO MOLEX INCORPORATED AND SHOULD NOT BE USED WITHOUT WRITTEN PERMISSION