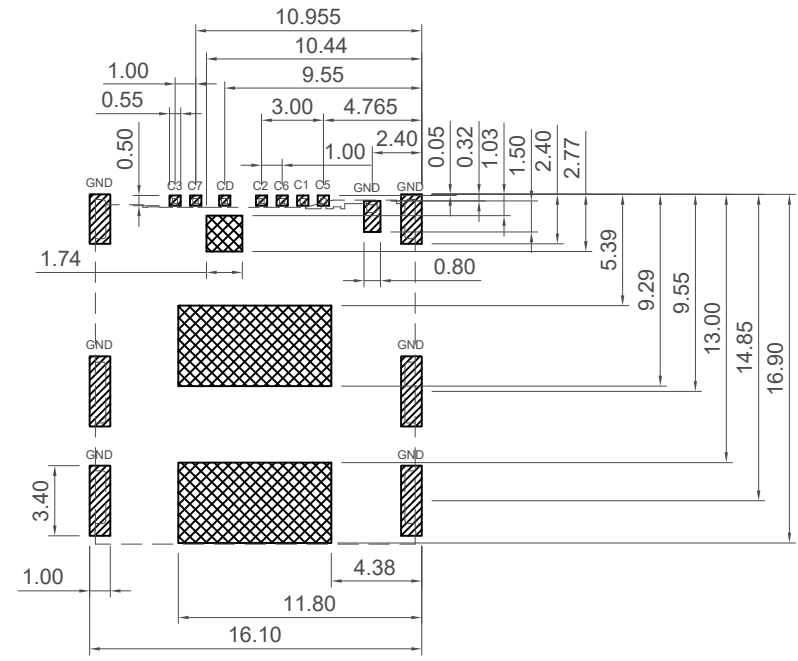
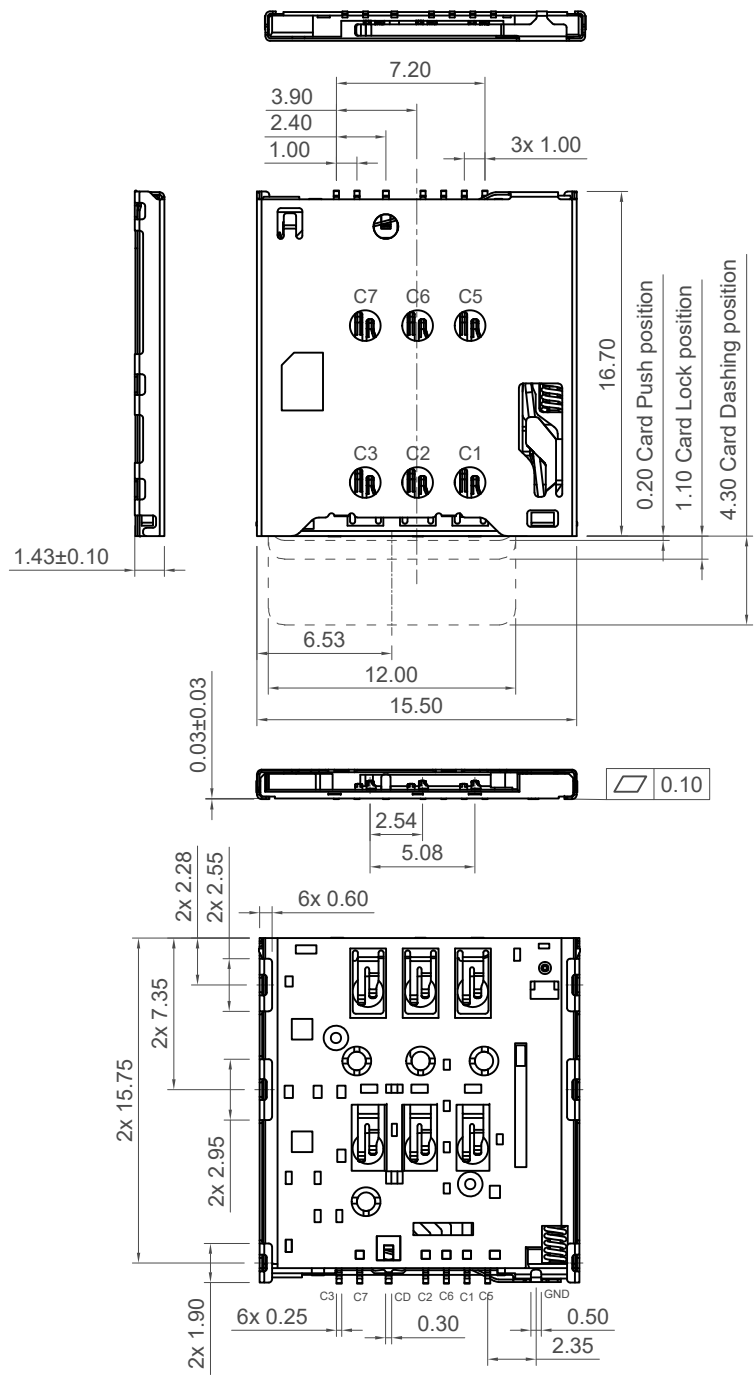


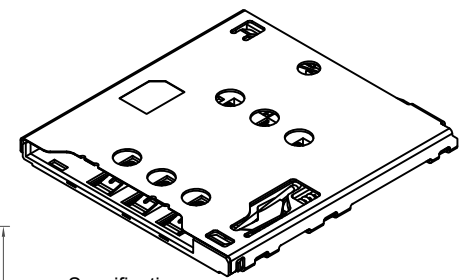
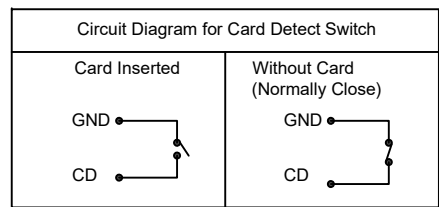
H
G
F
E
D
C
B
A



Recommended PCB Layout
General Tolerance ± 0.05

Locating peg holes only applicable to locating peg version

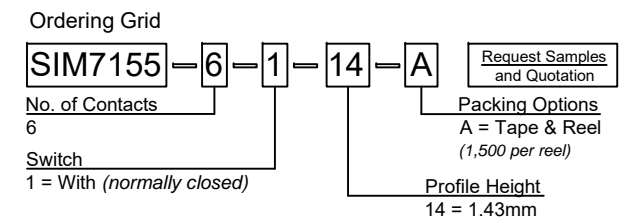
 Solder Area Keep Out Area Component Outline



Specification:
Material:
 Housing: LCP, S475, UL94V-0, Black
 Slider: LCP, MG350, UL94V-0, Black
 Contact Terminal: Copper Alloy, C5210-EH
 Shell: Stainless Steel, SUS304
 Link: Stainless Steel, USB304
 Spring: Stainless Steel, SWP-B

Plating:
Contact Terminal:
 Contact Area: Gold Flash
 Solder area: Gold Flash
 Underplating: Ni overall 50 μ m min.
Shell: Ni overall, 50 μ m min.
 Solder area: Gold Flash
Link & Spring: Heating Treatment

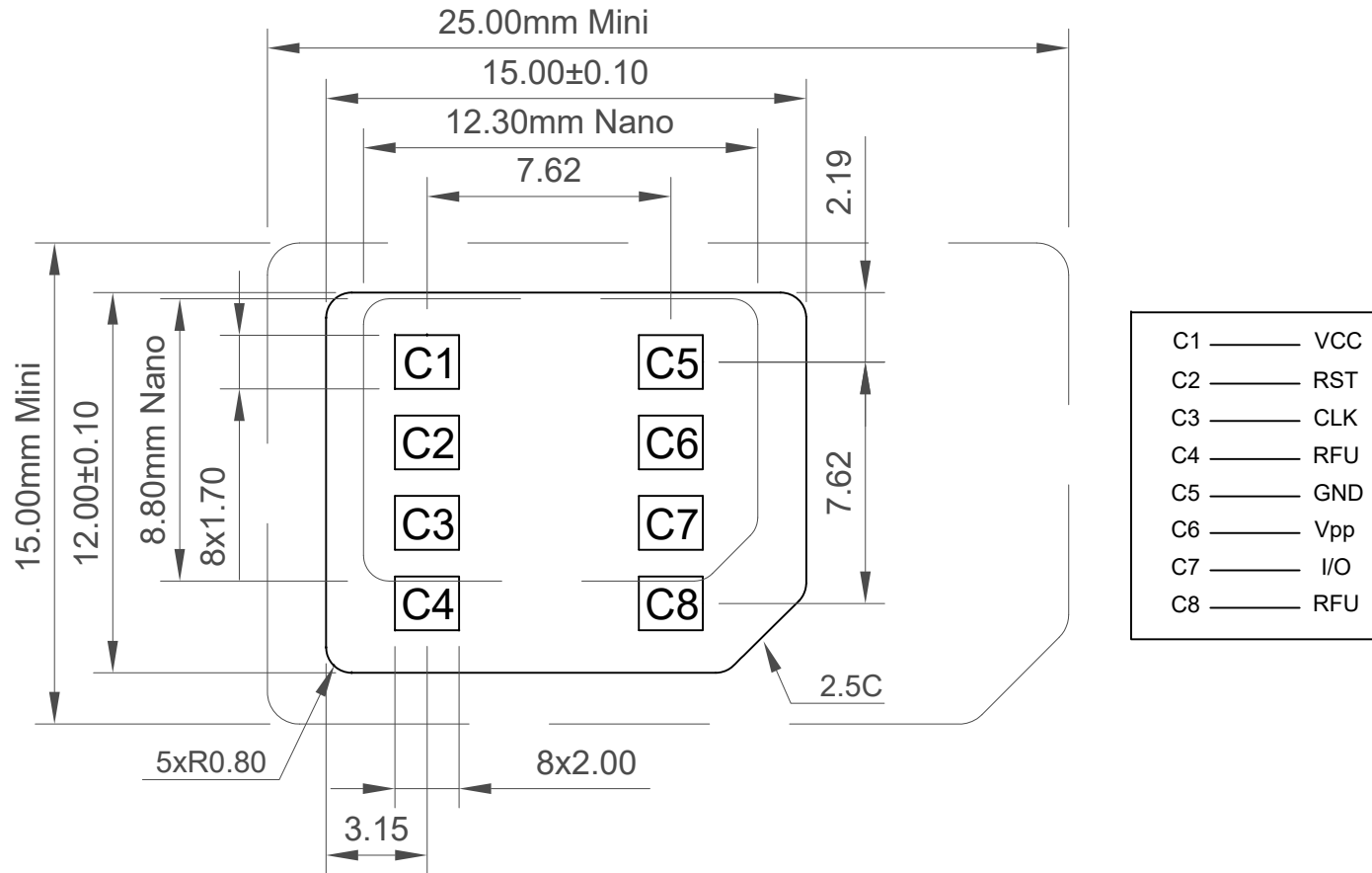
Electrical:
 Voltage Rating: 30V max.
 Current Rating: 0.5A max.
 Dielectric Withstanding: 500V AC
 Insulation Resistance: 1000 M Ω min.
 Contact Resistance:
 Initial: 100 m Ω max. (signal)
 300 m Ω max. (switch)
 Final: 150 m Ω max. (signal)
 400 m Ω max. (switch)
Mechanical:
 Duration: 3000 cycles
 Operating Temperature: -40°C to +85°C



Part Number SIM7155		Product Description Micro SIM Card Connector - Push-Push Type 6 Pin, SMT, 1.43mm Profile			 www.gct.co			
Drawing Date 12th April 2021								
By	CC	Tolerances (Except as Noted)	Units:	 3rd Angle Projection	This drawing is confidential and copyright of Global Connector Technology, Ltd (GCT). This drawing must not be copied or disclosed without written consent. E & OE			
Detail	Drawing Release	Length	Metric (mm)					
Revision	A1	X.X \pm 0.30	Angle			X. $^{\circ}$ \pm 2 $^{\circ}$		
Date	23/11/22	X.XX \pm 0.25				X.XXX \pm 0.10		
		X.XXX \pm 0.10			<table border="1"> <tr> <td>Not to Scale</td> <td>Drawn By CC</td> <td>Sheet No. 1/3</td> </tr> </table>	Not to Scale	Drawn By CC	Sheet No. 1/3
Not to Scale	Drawn By CC	Sheet No. 1/3						

Micro SIM Reference

thickness = 0.76 ± 0.08



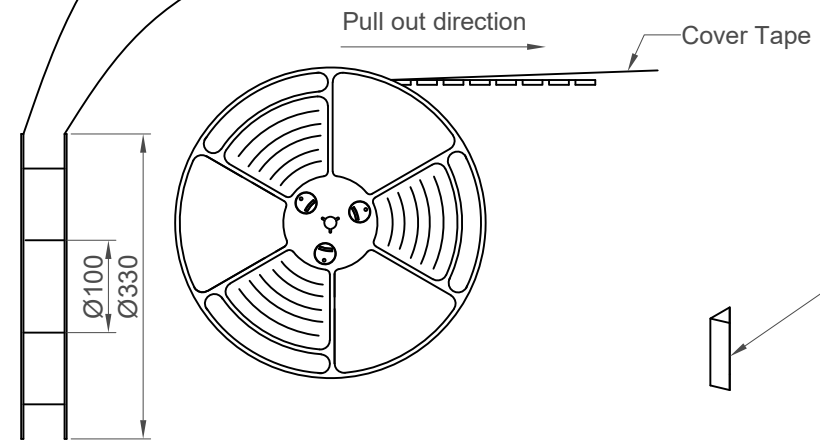
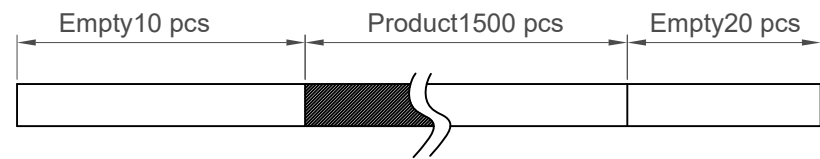
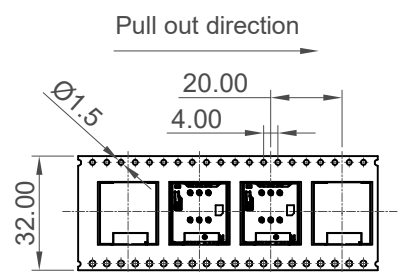
Part Number		Product Description	
SIM7155		Micro SIM Card Connector - Push-Push Type	
Drawing Date		6 Pin, SMT, 1.43mm Profile	
12th April 2021			
By	CC	Tolerances (Except as Noted)	Units:
Detail	Drawing Release	Length	Metric (mm)
Revision	A1	X.X ± 0.30	
Date	23/11/22	X.XX ± 0.25	
		X.XXX ± 0.10	
		X.° ± 2°	

GCT
www.gct.co

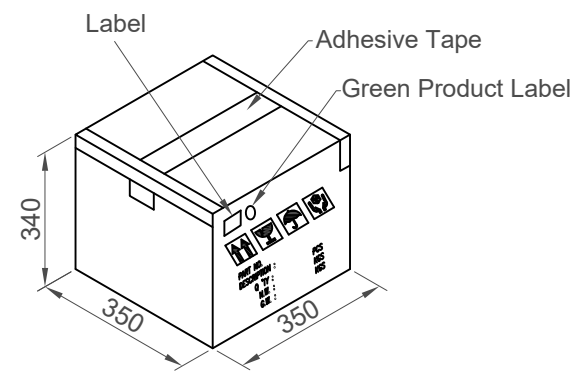
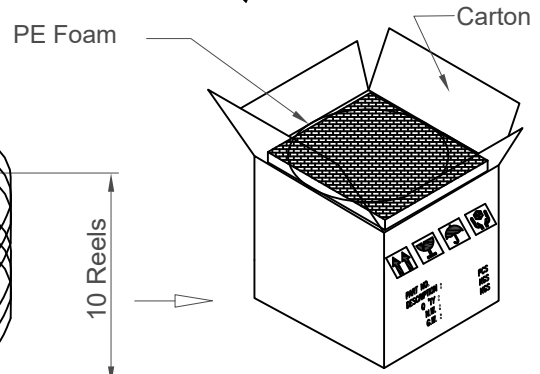
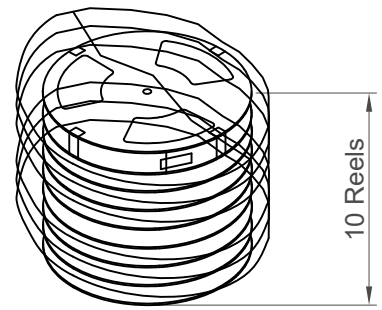
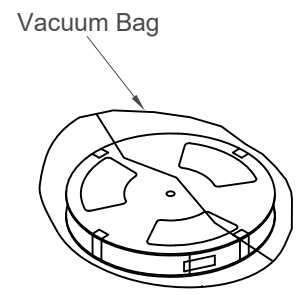
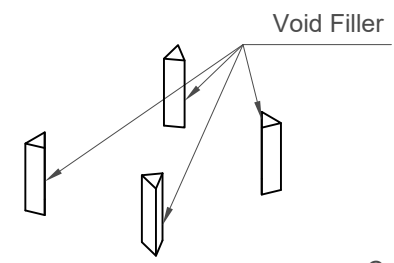
This drawing is confidential and copyright of Global Connector Technology, Ltd (GCT). This drawing must not be copied or disclosed without written consent. E & OE

Not to Scale | Drawn By CC | Sheet No. 2/3

H
G
F
E
D
C
B
A



Pcs/Reel	Reels/Carton	Pcs/Carton
1500	8	12000



Part Number		Product Description		
SIM7155		Micro SIM Card Connector - Push-Push Type		
Drawing Date		6 Pin, SMT, 1.43mm Profile		
12th April 2021				
By	CC	Tolerances (Except as Noted)	Units:	
Detail	Drawing Release	Length	Metric (mm)	
Revision	A1	X.X ± 0.30		
Date	23/11/22	X.XX ± 0.25		This drawing is confidential and copyright of Global Connector Technology, Ltd (GCT). This drawing must not be copied or disclosed without written consent. E & OE
		X.XXX ± 0.10	3rd Angle Projection	



Not to Scale	Drawn By CC	Sheet No. 3/3
--------------	-------------	---------------

1 2 3 4 5 6 7 8