

Overview

KEMET's PEG130 is an electrolytic capacitor with an outstanding electrical performance. This product is constructed in a polarized, all-welded design, with tinned copper wire leads and a negative pole connected to the case of the capacitor. The PEG130 winding is housed in a cylindrical aluminum can with a high purity aluminium lid and a high quality rubber gasket. The low ESR is a result of a low resistive electrolyte/paper system and an all-welded design.

Applications

KEMET's PEG130 is a new generation of high performance axial electrolytic capacitors, designed for applications with very long service life requirements. The capacitors are especially suitable for LED/lamp power supplies, automotive and low voltage power electronic applications.

Benefits

- Next-generation high performance axial series
- Very long operational life (up to 160,000 hours at 80°C)
- Minimal heat generation
- Low ESR electrolyte/paper system
- Available with capacitances as high as 6,300 μF and voltage options of 25, 40, and 63 VDC
- Polarized all-welded design
- Outstanding electrical performance



Part Number System

PEG130	H	H	436	0	Q	E4
Series	Rated Voltage (VDC)	Size Code	Capacitance Code (μF)	Version	Capacitance Tolerance	Packaging
Axial Aluminum Electrolytic	H = 25 K = 40 M = 63	See Dimension Table	The last two digits represent significant figures. The first digit indicates the total number digits.	0 = Standard	Q = -10/+30%	See Ordering Options Table

Performance Characteristics

Item	Performance Characteristics	
Capacitance Range	900 – 6,300 μ F	
Rated Voltage	25 – 63 VDC	
Operating Temperature	–40 to +105°C	
Capacitance Tolerance	–10/+30% at 100 Hz/+20°C	
Operational Lifetime	45,000 hours at +105°C (hours, D = 20 mm)	
Shelf Life	5,000 hours at +105°C or 10 years at +40°C 0 VDC	
Leakage Current	$I = 0.003 CV + 4.0 (\mu A)$	
	C = rated capacitance (μ F), V = rated voltage (VDC). Voltage applied for 5 minutes at +20°C.	
Vibration Test Specifications	Procedure	Requirements
	0.75 mm displacement amplitude or 10 g maximum acceleration. Vibration applied for three 2-hour sessions at 10 – 2,000 Hz (capacitor clamped by body).	No leakage of electrolyte or other visible damage. Deviations in capacitance from initial measurements must not exceed: $\Delta C/C < 5\%$
Standards	IEC 60384–4 long life grade 40/125/56	

Compensation Factor of Ripple Current (RC) vs. Frequency

Frequency	100 Hz	300 Hz	1 kHz	5 kHz	100 kHz
Coefficient	0.35	0.57	0.80	1.00	1.04

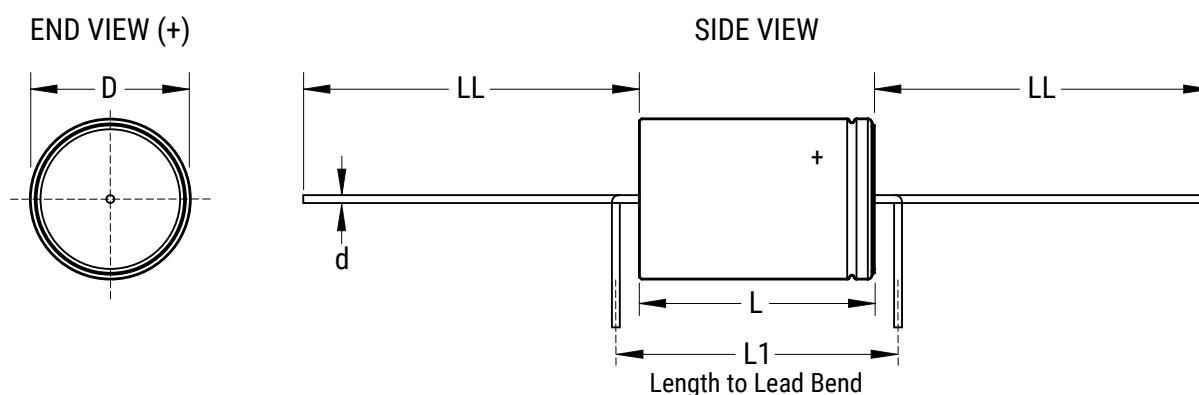
Test Method & Performance

Endurance Life Test	
Conditions	Performance
Temperature	+105°C
Test Duration	12,000 hours
Ripple Current	Maximum ripple current specified in table
Voltage	The sum of DC voltage and the peak AC voltage must not exceed the rated voltage of the capacitor
Performance	The following specifications will be satisfied when the capacitor is tested at +20°C:
Capacitance Change	Within 15% of the initial value
Equivalent Series Resistance	Does not exceed 200% of the initial value
Leakage Current	Does not exceed leakage current limit

Ordering Options Table

Packaging Kind	Lead Length (mm)	Lead and Packaging Code
Standard Packaging Options		
Bulk (box)	40 +3/-2	L1 (Obsolete)
Tray	40 +3/-2	E4

Dimensions – Millimeters



Size Code	Dimensions in mm				Tray	Approximate Weight Grams
	D	L	L1	d	LL	
	±0.5	±1	Minimum	±0.03	±2	
H	20	29.0	35.0	1.0	40	13
J	20	37.0	43.0	1.0	40	20
L	20	45.0	52.0	1.0	40	24

Note: L1 is KEMET's recommendation for minimum distance between symmetrical lead bend. Available only for customer specific part numbers. Lead bend dimensions must be specified and confirmed per article.

Shelf Life

The capacitance, ESR and impedance of a capacitor will not change significantly after extended storage periods, however, the leakage current will very slowly increase. KEMET products are particularly stable and allow a shelf life in excess of ten years at 40°C. See sectional specification under each product series for specific data.

Failure Rate

Estimated field failure rate: ≤ 0.15 ppm (failures per year/produced number of capacitors per year).
The expected failure rate for this capacitor range is based on field experience for capacitors with structural similarity.

Environmental Compliance



All Part Numbers in this datasheet are Reach and RoHS compliant and Halogen-Free.

As an environmentally conscious company, KEMET is working continuously with improvements concerning the environmental effects of both our capacitors and their production.

In Europe (RoHS Directive) and in some other geographical areas such as China, legislation has been put in place to prevent the use of some hazardous materials, such as lead (Pb), in electronic equipment. All products in this catalog are produced to help our customers' obligations to guarantee their products and fulfill these legislative requirements. The only material of concern in our products has been lead (Pb), which has been removed from all designs to fulfill the requirement of containing less than 0.1% of lead in any homogeneous material. KEMET will closely follow any changes in legislation worldwide and make any necessary changes in its products, whenever needed.

Some customer segments such as medical, military and automotive electronics may still require the use of lead in electrode coatings. To clarify the situation and distinguish products from each other, a special symbol is used on the packaging labels for RoHS compatible capacitors.

Due to customer requirements, there may appear additional markings such as lead-free (LF), or lead-free wires (LFW) on the label.

Table 1 – Ratings & Part Number Reference

VDC	Rated Capacitance 100 Hz 20°C (µF)	Size Code	Case Size D x L (mm)	Ripple Current Maximum					ESR Maximum			Part Number
				100 Hz 105°C (A)	≥ 5 kHz 60°C (A)	≥ 5 kHz 80°C (A)	≥ 5 kHz 100°C (A)	≥ 5 kHz 105°C (A)	100 Hz 20°C (mΩ)	100 kHz 20°C (mΩ)	5 – 100 kHz 105°C (mΩ)	
25	3600	H	20 x 29	1.72	8.9	7.2	4.1	2.7	47	32	16.6	PEG130HH4360QE4
25	4800	J	20 x 37	2.11	10.8	8.8	4.9	3.2	36	24	13.0	PEG130HJ4480QE4
25	6300	L	20 x 45	2.45	12.1	9.9	5.5	3.6	30	21	11.3	PEG130HL4630QE4
40	2000	H	20 x 29	1.44	8.8	7.2	4.0	2.6	59	32	17.0	PEG130KH4200QE4
40	3000	J	20 x 37	1.85	10.7	8.7	4.9	3.2	42	24	13.1	PEG130KJ4300QE4
40	3900	L	20 x 45	2.18	12.3	10.0	5.5	3.6	33	19	11.3	PEG130KL4390QE4
63	900	H	20 x 29	1.06	7.2	5.9	3.3	2.2	94	40	25.1	PEG130MH3900QE4
63	1400	J	20 x 37	1.40	9.0	7.4	4.1	2.7	64	29	18.8	PEG130MJ4140QE4
63	1800	L	20 x 45	1.65	10.4	8.4	4.7	3.1	51	24	15.9	PEG130ML4180QE4

VDC	Rated Capacitance	Size Code	Case Size	Ripple Current					ESR			Part Number
-----	-------------------	-----------	-----------	----------------	--	--	--	--	-----	--	--	-------------

Operational Life

Operational life (L_{op}) at ambient temperature T_a and ripple current I_{AC} .

Example:

Article: PEG130HH4360Q (20 x 27 mm)

Ambient temperature (T_a): +80°C

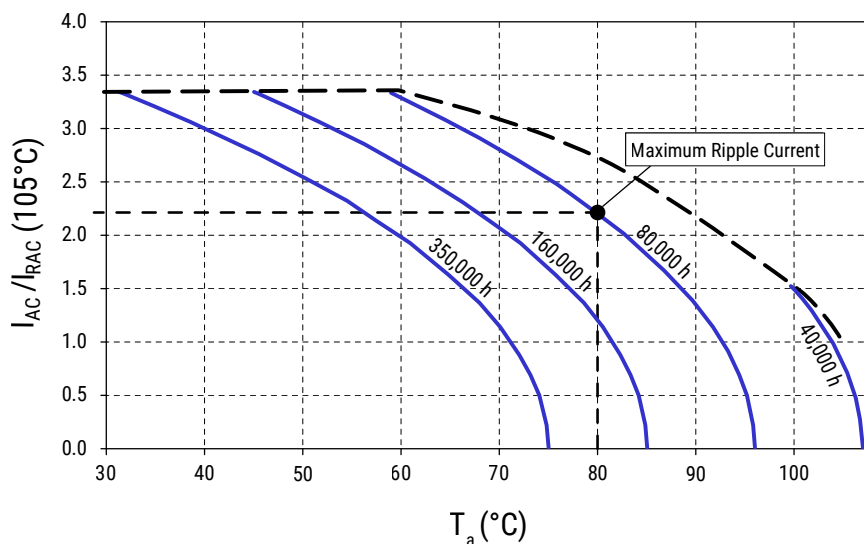
Ripple current at 5 kHz (I_{AC}): 5.9 A

$I_{RAC} (+105^\circ\text{C} \geq 5 \text{ kHz}) = 2.7 \text{ A}$ (from data table)

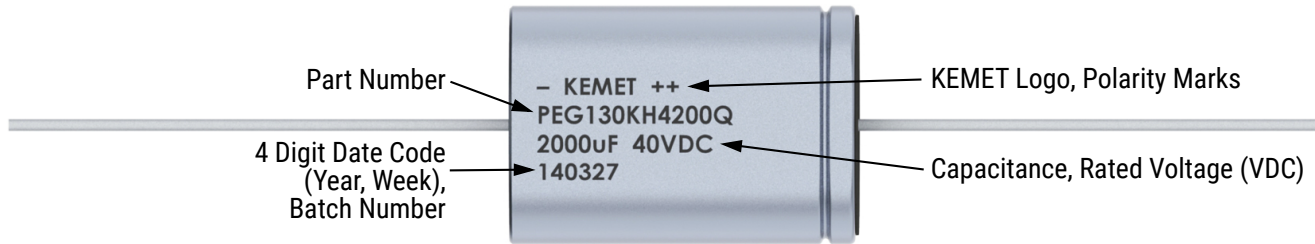
$\rightarrow I_{AC} / I_{RAC} (+105^\circ\text{C}) = 2.2$

Operational life: interpolation between the

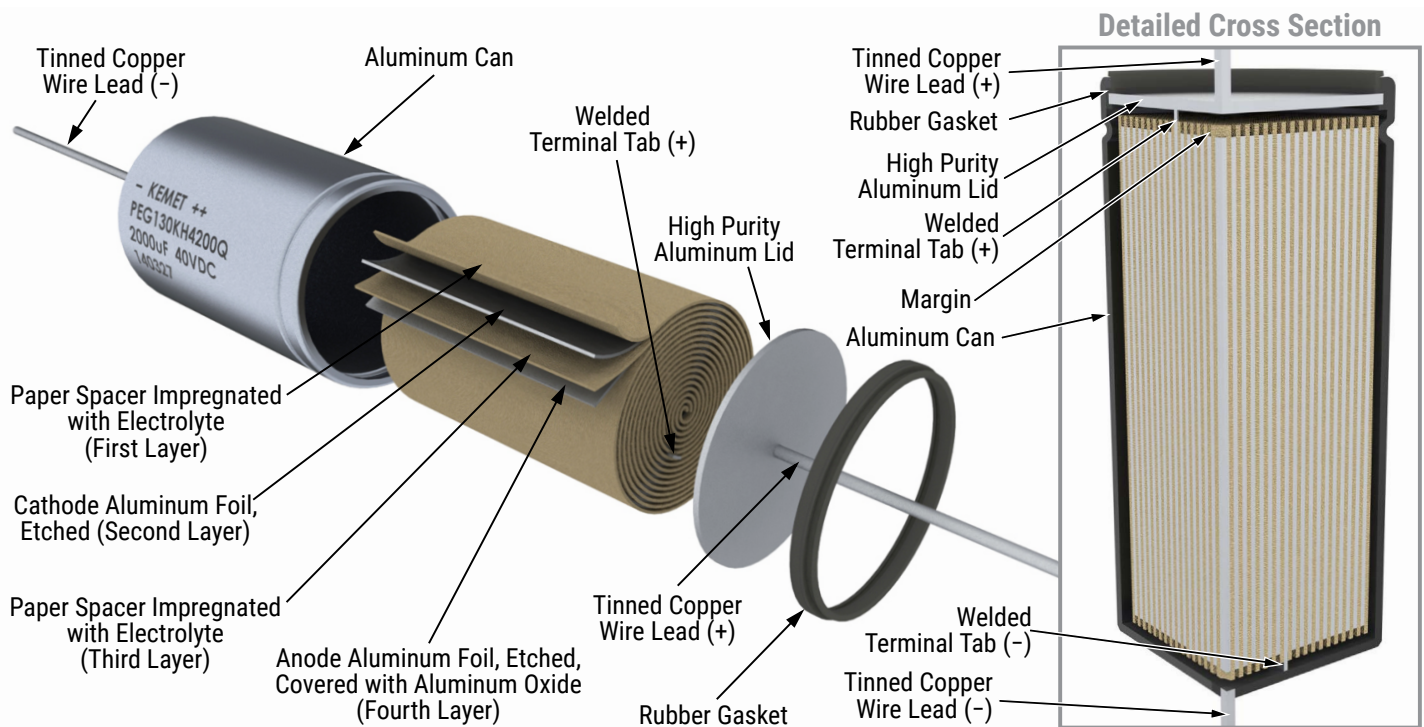
L_{op} -curves $\rightarrow L_{op} \sim 80 \text{ kh}$ (blue curves)



Marking

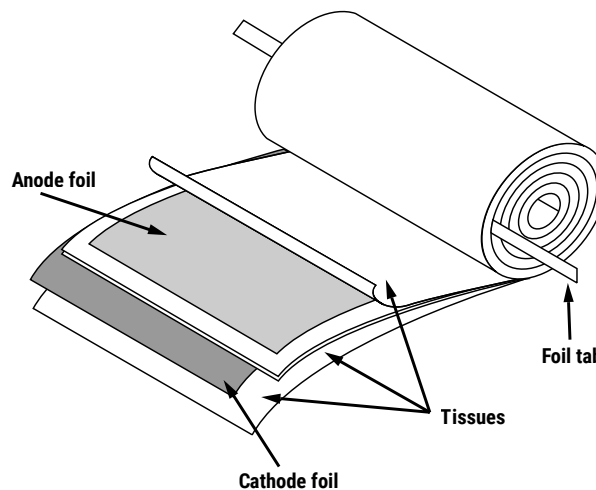


Construction



Construction Data

The manufacturing process begins with the anode foil being electrochemically etched to increase the surface area and then “formed” to produce the aluminum oxide layer. Both the anode and cathode foils are then interleaved with absorbent paper and wound into a cylinder. During the winding process, aluminum tabs are attached to each foil to provide the electrical contact.



The winding is assembled to the capacitor aluminum can and to the aluminum lid. The can is filled with electrolyte and the winding is impregnated during a vacuum treatment. The capacitor is sealed. Throughout the process, all materials inside the housing must be maintained at the highest purity and be compatible with the electrolyte.

Each capacitor is aged and tested before being packed. The purpose of aging is to repair any damage in the oxide layer and thus reduce the leakage current to a very low level. Aging is carried out at elevated temperature and is accomplished by applying voltage to the device while carefully controlling the supply current. The process takes between 2 and 20 hours, depending on voltage rating.

Damage to the oxide layer can occur due to a variety of reasons:

- Slitting of the anode foil after forming
- Attaching the tabs to the anode foil
- Minor mechanical damage caused during winding

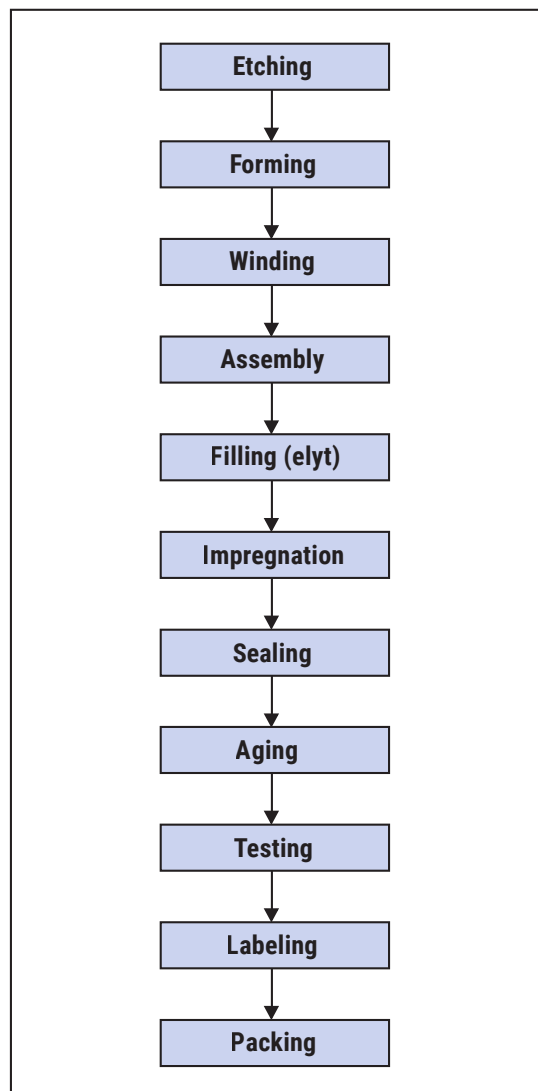
The following tests are applied for each individual capacitor.

Electrical:

- Leakage current
- Capacitance
- ESR
- Tan delta

Mechanical/Visual:

- Pull strength test of wire terminals
- Print detail
- Box labels
- Packaging, including packed quantity



KEMET Electronics Corporation Sales Offices

For a complete list of our global sales offices, please visit www.kemet.com/sales.

Disclaimer

All product specifications, statements, information and data (collectively, the “Information”) in this datasheet are subject to change. The customer is responsible for checking and verifying the extent to which the Information contained in this publication is applicable to an order at the time the order is placed. All Information given herein is believed to be accurate and reliable, but it is presented without guarantee, warranty, or responsibility of any kind, expressed or implied.

Statements of suitability for certain applications are based on KEMET Electronics Corporation’s (“KEMET”) knowledge of typical operating conditions for such applications, but are not intended to constitute – and KEMET specifically disclaims – any warranty concerning suitability for a specific customer application or use. The Information is intended for use only by customers who have the requisite experience and capability to determine the correct products for their application. Any technical advice inferred from this Information or otherwise provided by KEMET with reference to the use of KEMET’s products is given gratis, and KEMET assumes no obligation or liability for the advice given or results obtained.

Although KEMET designs and manufactures its products to the most stringent quality and safety standards, given the current state of the art, isolated component failures may still occur. Accordingly, customer applications which require a high degree of reliability or safety should employ suitable designs or other safeguards (such as installation of protective circuitry or redundancies) in order to ensure that the failure of an electrical component does not result in a risk of personal injury or property damage.

Although all product-related warnings, cautions and notes must be observed, the customer should not assume that all safety measures are indicated or that other measures may not be required.

KEMET requires its products to be packaged and shipped on pallets. This is because KEMET’s products are specifically designed to be packed onto pallets during shipment. If for any reason, the products are removed from pallets by the shipping party and shipped to the end customer, then additional external protection is required. In this instance, an external box with two carton layers and an upwards orientation sticker must be used by the shipping party, with the empty space filled with filling material, and afterwards sealing the box. If this packing and packaging guideline is not followed by the shipping party, the shipping party, and not KEMET, will be held responsible for any packaging, packing and/or product damages upon delivery of the products to the end customer. KEMET hereby disclaims any liability for damages to the products or otherwise that have been, or threaten to be, inflicted, result from or are in any way related to the packaging, packing or damage by the shipping party in contravention of the packing and packaging guidelines herein.

KEMET is a registered trademark of KEMET Electronics Corporation.