

# Connector Solutions M23 Elite Series

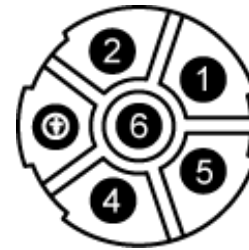
STEP 1  
Choose Plug

STEP 2  
Choose Receptacle

## Plugs



## Receptacles



See page 14 for connector configurations

## Plug Kits



## Receptacle Extension



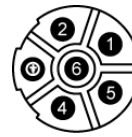
## Receptacle Kits



**BULK CABLE starts  
on page 23**

SEE TABLE ON NEXT PAGE FOR PART DETAILS

Complete datasheets can be found at [www.amphenol-sine.com](http://www.amphenol-sine.com)



**6 POSITIONS**  
**28A / 630V**  
**Threaded**

**Number of Contacts: 6    Contact Size: 2.0mm**  
 Sealing: IP66/67    AWG: 18-14 (0.75 - 2.5 mm<sup>2</sup>)

### Connector Part Numbers

| Part Number       | Connector Type  | Contact Type<br>male = pin<br>female = socket | Figure Drawings |
|-------------------|---|---|-----------------|
|                   | PLUGS   |   |                 |
| MB7CKN0600-S1     | Plug, straight, threaded<br>7.0-11.0mm cord grip      | Socket  | 1               |
| MB7CKN0600-S1-KIT | Plug kit, straight, threaded<br>7.0-11.0mm cord grip  | Socket  | 1               |
| MB7CKN0600-S2     | Plug, straight, threaded<br>11.0-14.5mm cord grip     | Socket  | 1               |
| MB7CKN0600-S2-KIT | Plug kit, straight, threaded<br>11.0-14.5mm cord grip | Socket  | 1               |
| MB7CKN0600-S3     | Plug, straight, threaded<br>14.5-17.0mm cord grip     | Socket  | 1               |
| MB7CKN0600-S3-KIT | Plug kit, straight, threaded<br>14.5-17.0mm cord grip | Socket  | 1               |

↑ Contacts supplied separately see Chart 1 page 114

| Part Number    | Connector Type   | Contact Type<br>male = pin<br>female = socket | Figure Drawings |
|----------------|--|---|-----------------|
|                | RECEPTACLES  |   |                 |
| MB7RJN0601     | Receptacle, 90° rotatable, threaded<br>Standard Flange (25.7x25.7)     | Pin   | 2               |
| MB7RJN0601-KIT | Receptacle Kit, 90° rotatable, threaded<br>Standard Flange (25.7x25.7) | Pin   | 2               |
| MB7RJN0602     | Receptacle, 90° rotatable, threaded<br>Large Flange (28.0x28.0)        | Pin   | 3               |
| MB7RJN0602-KIT | Receptacle Kit, 90° rotatable, threaded<br>Large Flange (28.0x28.0)    | Pin   | 3               |
| MB7JJN0600-S1  | Receptacle extension, threaded,<br>7.5-11.0mm Cable OD Range           | Pin   | 4               |
| MB7JJN0600-S2  | Receptacle extension, threaded,<br>11.0-14.5mm Cable OD Range          | Pin   | 4               |
| MB7JJN0600-S3  | Receptacle extension, threaded,<br>14.5-17.0mm Cable OD Range          | Pin   | 4               |

↑ Contacts supplied separately see Chart 2 page 114

\*Standard Series receptacles are offered here as additional options for mating with Elite Series plugs.  
 See Assembly Instructions starting on page 266

**Style:**    **Number of Contacts:** 6    **Contact Size:** 2.0mm

Sealing: IP66/67    AWG: 18-14 (0.75 - 2.5 mm<sup>2</sup>)

Connector Part Numbers continued

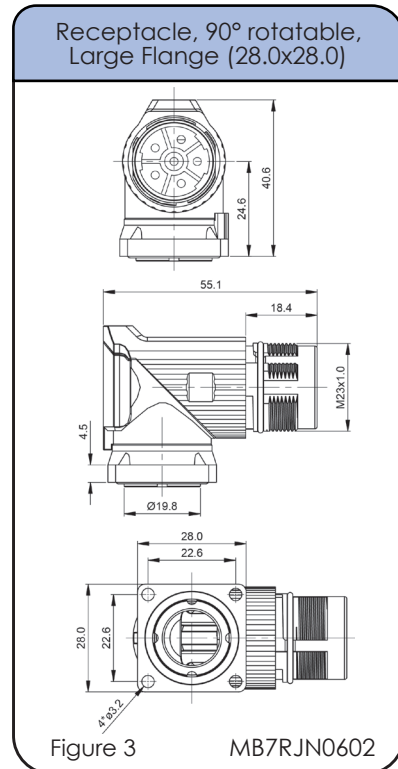
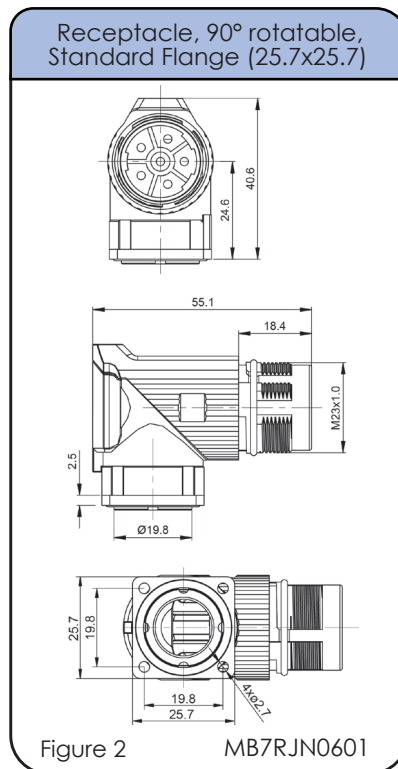
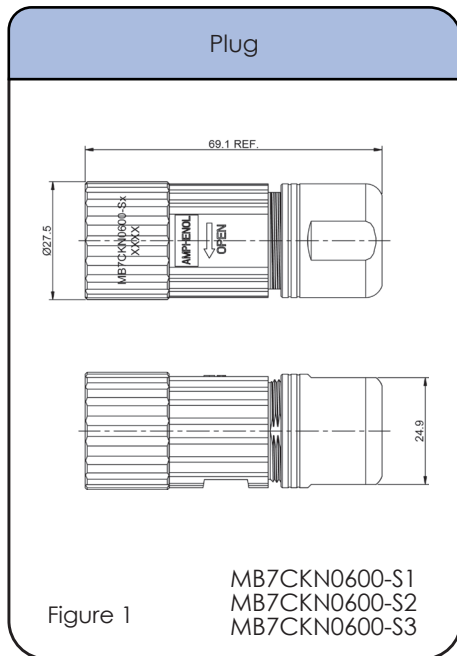
| Part Number     | Connector Type<br>RECEPTACLES                                 | Contact Type<br>male = pin<br>female = socket | Figure Drawings |
|-----------------|---|---|-----------------|
| MB1LLN0600*     | Receptacle, straight, flange mount, threaded                  | Pin   | 5               |
| MB1LLN0600-KIT* | Receptacle kit, straight, threaded.<br>Kit includes contacts. | Pin   | 5               |
| MB1LKN0600*     | Receptacle, straight, threaded                                | Pin   | 6               |

↑ Contacts supplied separately see Chart 3 page 114

## Dimensions

See Chart 1 for contacts options

See Chart 2 for contacts options for 90° Rotatable Receptacles



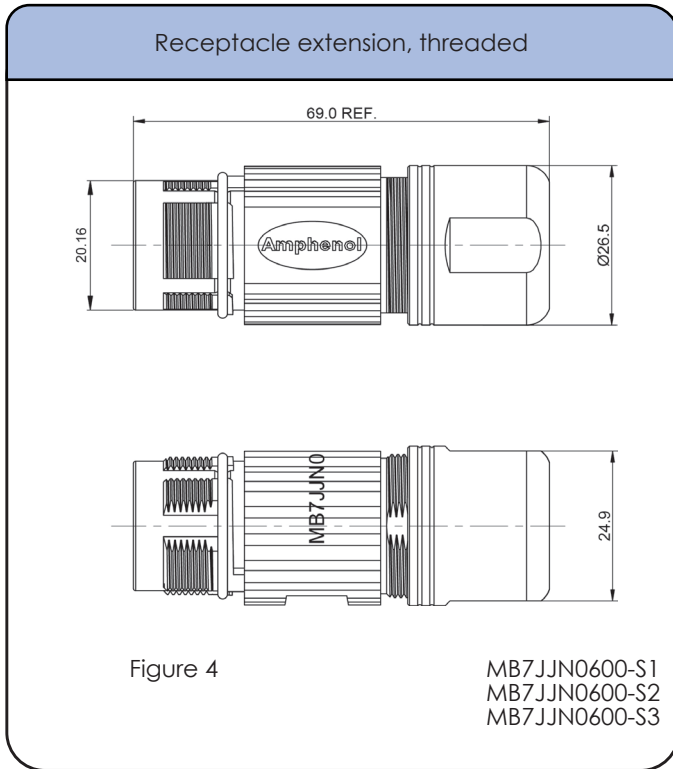


**6 POSITIONS**  
**28A / 630V**  
**Threaded**

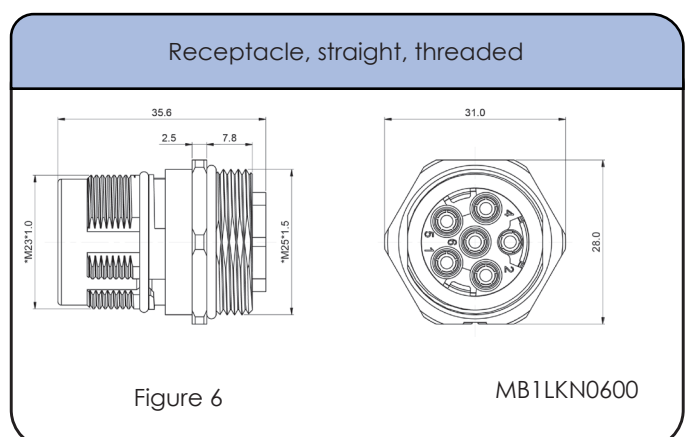
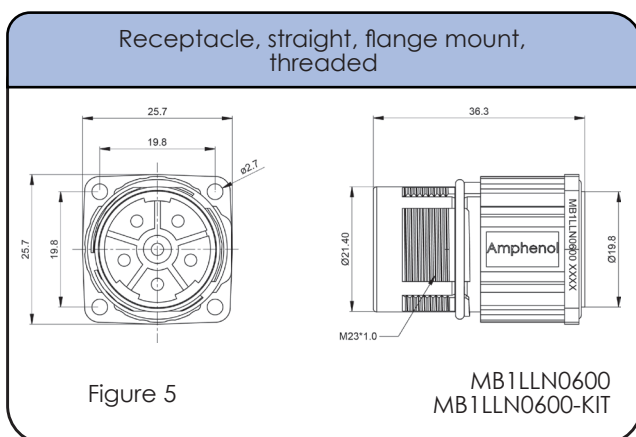
**Style:**    **Number of Contacts:** 6    **Contact Size:** 2.0mm  
**Sealing:** IP66/67    **AWG:** 18-14 (0.75 - 2.5 mm<sup>2</sup>)

## Dimensions

See Chart 2 for contacts options



See Chart 3 for contacts options for all straight receptacles



**Style:**    **Number of Contacts:** 6    **Contact Size:** 2.0mm

Sealing: IP66/67    AWG: 18-14 (0.75 - 2.5 mm<sup>2</sup>)

## Contacts



### CHART 1 Crimp Contacts, Machined

For parts: MB7CKN0600-S1, MB7CKN0600-S2, MB7CKN0800-S3

| Part #   | Size  | Type   | AWG   | mm <sup>2</sup> | Plating |
|----------|-------|--------|-------|-----------------|---------|
| SC000260 | 2.0mm | Socket | 18-20 | 2.5 - 5.0       | Gold    |

### CHART 2 Crimp Contacts, Machined

For parts: MB7RJN0601, MB7RJN0602, MB7JJN0600-S1,S2,S3

| Part #   | Size  | Type | AWG   | mm <sup>2</sup> | Plating |
|----------|-------|------|-------|-----------------|---------|
| SC000262 | 2.0mm | Pin  | 18-14 | 0.75 - 2.5      | Gold    |

### CHART 3 Crimp Contacts, Machined

For Parts: MB1LLN0600, MB1LKN0600, MB1LLN0600-KIT

| Part #   | Size  | Type | AWG   | mm <sup>2</sup> | Plating |
|----------|-------|------|-------|-----------------|---------|
| SC000036 | 2.0mm | Pin  | 18-14 | 1.5 - 0.75      | Gold    |



6 POSITIONS  
28A / 630V  
Threaded

**Style:**    **Number of Contacts:** 6    **Contact Size:** 2.0mm  
**Sealing:** IP66/67    **AWG:** 18-14 (0.75 - 2.5 mm<sup>2</sup>)

## Tools & Accessories

Universal hand crimp tool. Uses universal positioner part no. UH2-5\*  
Wire Range 12-26AWG



AF8

Pneumatic crimp tool. Uses universal positioner part no. UH2-5\*  
Wire Range 12-26AWG



WA27F

Extraction tool. Used for removal of 2.0mm contacts from inserts.



50-54931-2

Universal positioner is used with the universal hand crimp tool (AF8).  
Wire range 12-26AWG



UH2-5

Dust Cap for Receptacle



P29687

Dust Cap for Plug, Threaded



P30663-06

\* The universal positioner is not included with the crimp tools and must be ordered separately.

\* The extraction tool is only required to remove contacts from part numbers beginning with MB1