

# CGA7F1C0G3F120K085KA

TDK Item Description : CGA7F1C0G3F120KT\*\*\*\*



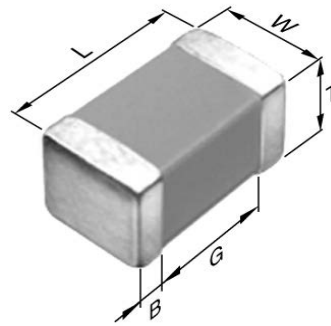
Equivalent C4520C0G3F120K for Automotive

## Application & Main Feature

Automotive Grade ( High Voltage (1000V and over) )

## Series

CGA7(4520) [EIA CC1808]



## Dimensions

L 4.50mm +/-0.4mm  
 W 2.00mm +/-0.2mm  
 T 0.85mm +/-0.15mm  
 B 0.20mm Min.  
 G

## Temperature Characteristic

C0G (-55 to 125 degC 0+/-30ppm/degC)

## Rated Voltage

3F (3000Vdc)

## Capacitance

12pF

## Capacitance Tolerance

K (+/-10%)

## Q Factor

640 Min.

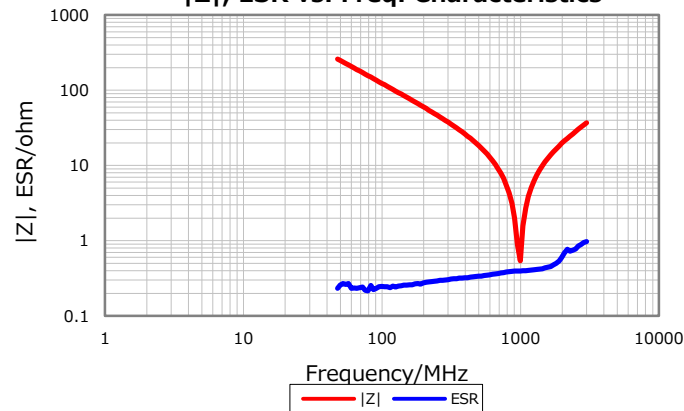
## Insulation Resistance

10Gohm Min.

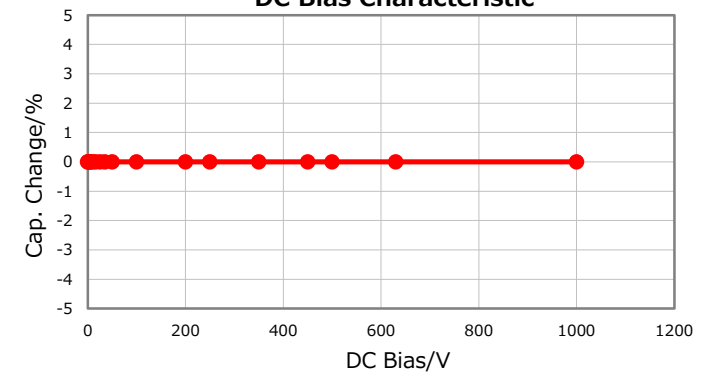
## AEC-Q200

Yes

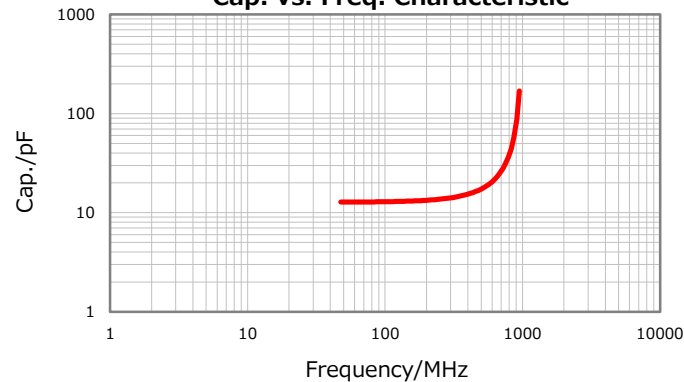
**|Z|, ESR vs. Freq. Characteristics**



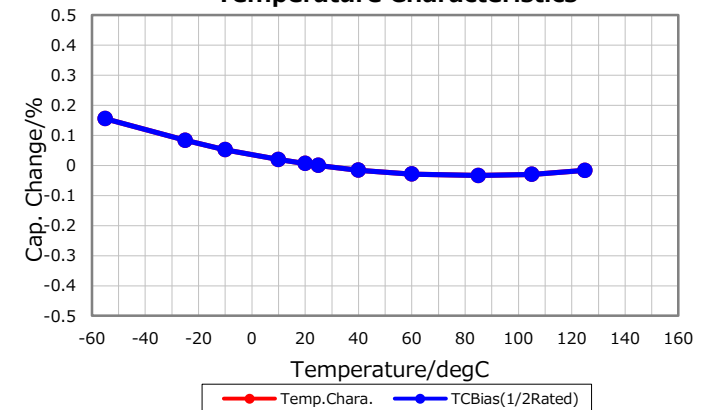
**DC Bias Characteristic**



**Cap. vs. Freq. Characteristic**



**Temperature Characteristics**



Characterization Sheet ( Multilayer Ceramic Chip Capacitors )



All specifications are subject to change without notice.

March 23, 2018