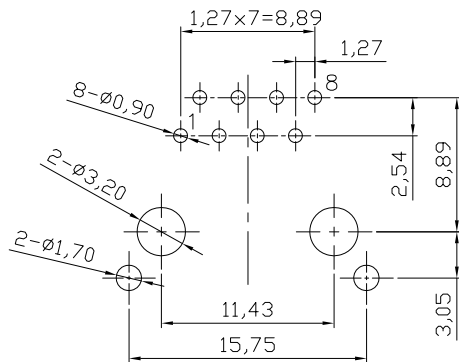


ADD-1(W)×8,5(L)×1,25(H)



PC Board Layout  
Component Side Shown

**NOTES:**

**Mechanical:**

1. Housing material : Polyester UL94V-0 ,  
Color: Black
2. Contact material: Phosphor Bronze t=0.35mm
3. Contact plating: Contact area---Selective gold plating  
Tails---Tin plated all over 50u" Nickel
4. Shell material: Copper Alloy
5. Shell plating: Nickel plated
6. Operating Life: 750 Cycles min.
7. PCB Retention Pre-solder: 1 LB min.
8. PCB Retention Post-solder: 10 LBS min.

**Electrical:**

1. Voltage Rating: 125VAC.
2. Current Rating: 1.5AMP.
3. Contact Resistance: 30mΩ max.
4. Insulation Resistance: 1000MΩ min. @ 500 VDC
5. Dielectric Strength: 1000 VAC 60Hz, 1 min.  
Pin to Pin 1000 VAC RMS 60Hz, 1min.  
Pin to Shield 1500 VAC RMS 60Hz, 1min.

**Environmental:**

1. Storage: -40°C To +85°C
2. Operation: -40°C~+85°C
3. Wave Soldering Temp: 200~220°C(5~10S)
- Packing: 60pcs/Tray, 1440pcs/Carton

Order code: A-2014-2S-X-N

- Contact plating:
- 1: selective 15u" gold
  - 2: selective 30u" gold
  - 3: selective 50u" gold
  - 4: selective 6u" gold

**RoHS compliant**  
Unit:mm

Scale	Free						Date	Name	Customer-No.
TOLERANCE						Drawn	27.05.2013	Amy	
X.X	±0.20					Approved	27.05.2013	Amy	
X.XX	±0.15								
X.XXX	±0.10								
DIM	TOL								Drawing-No.
									<b>ASS 5708 CO</b>
									rev00
Angle	±5°	Id.	Modification	Date	Name			Replace	SHEET



Customer-No.  
ASSMANN WSW-No. **A-2014-2S-X-N**  
Drawing-No.

**ASS 5708 CO** rev00  
Replace SHEET