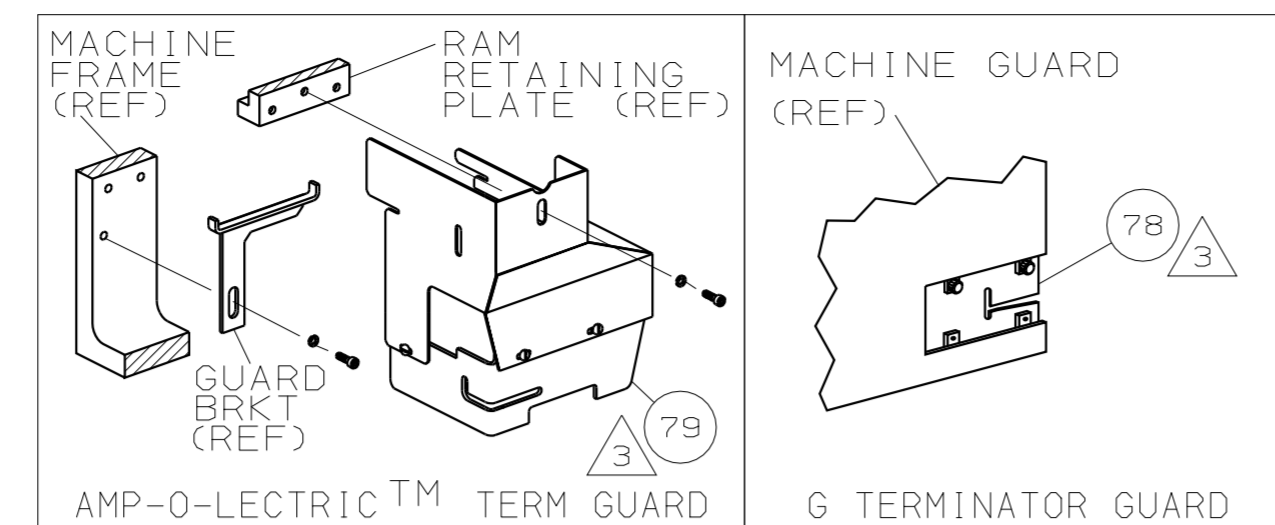
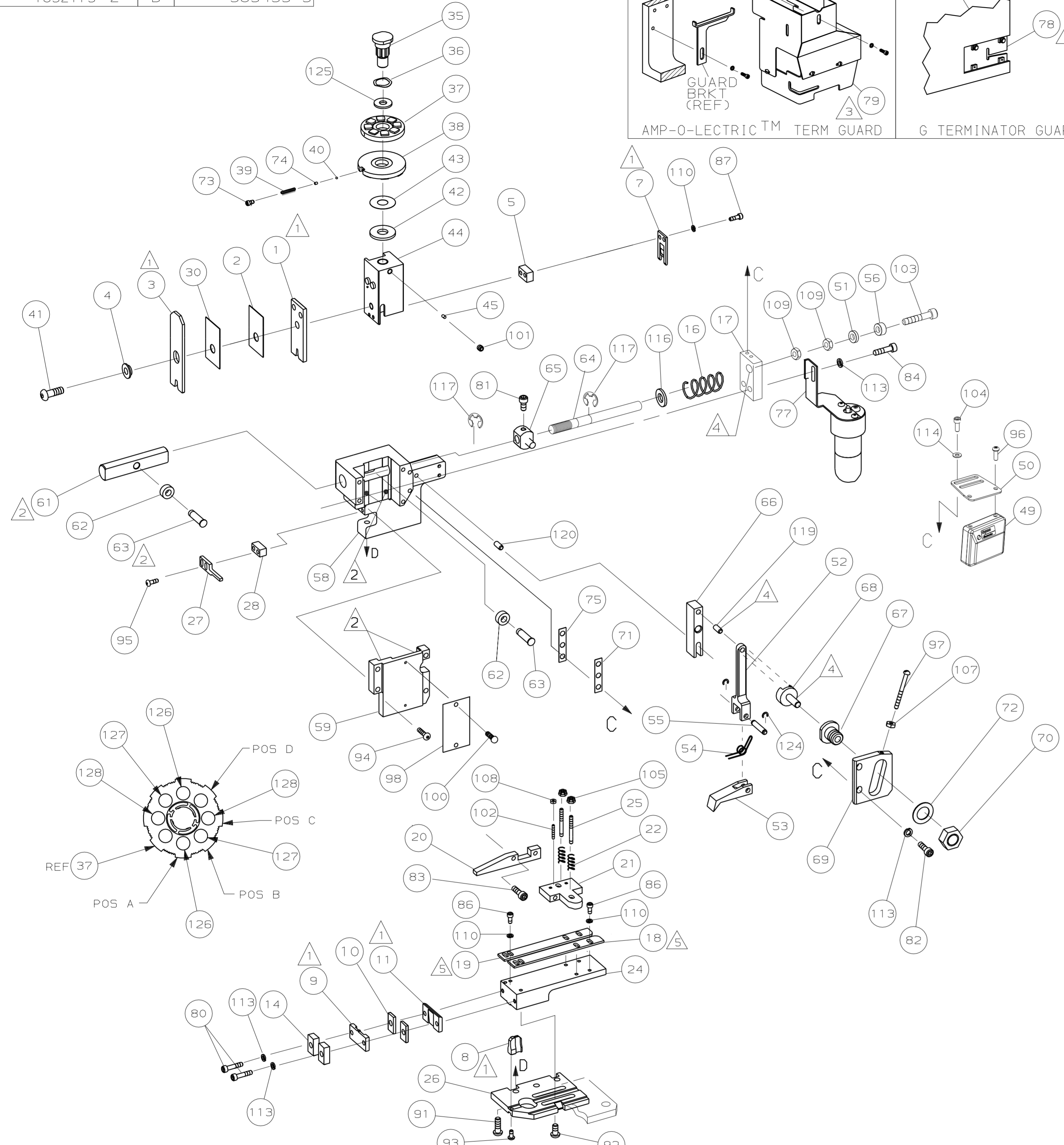


PART NUMBER	REV	FIRST USED
1852173-1	B	854400-1
1852173-2	B	565435-5

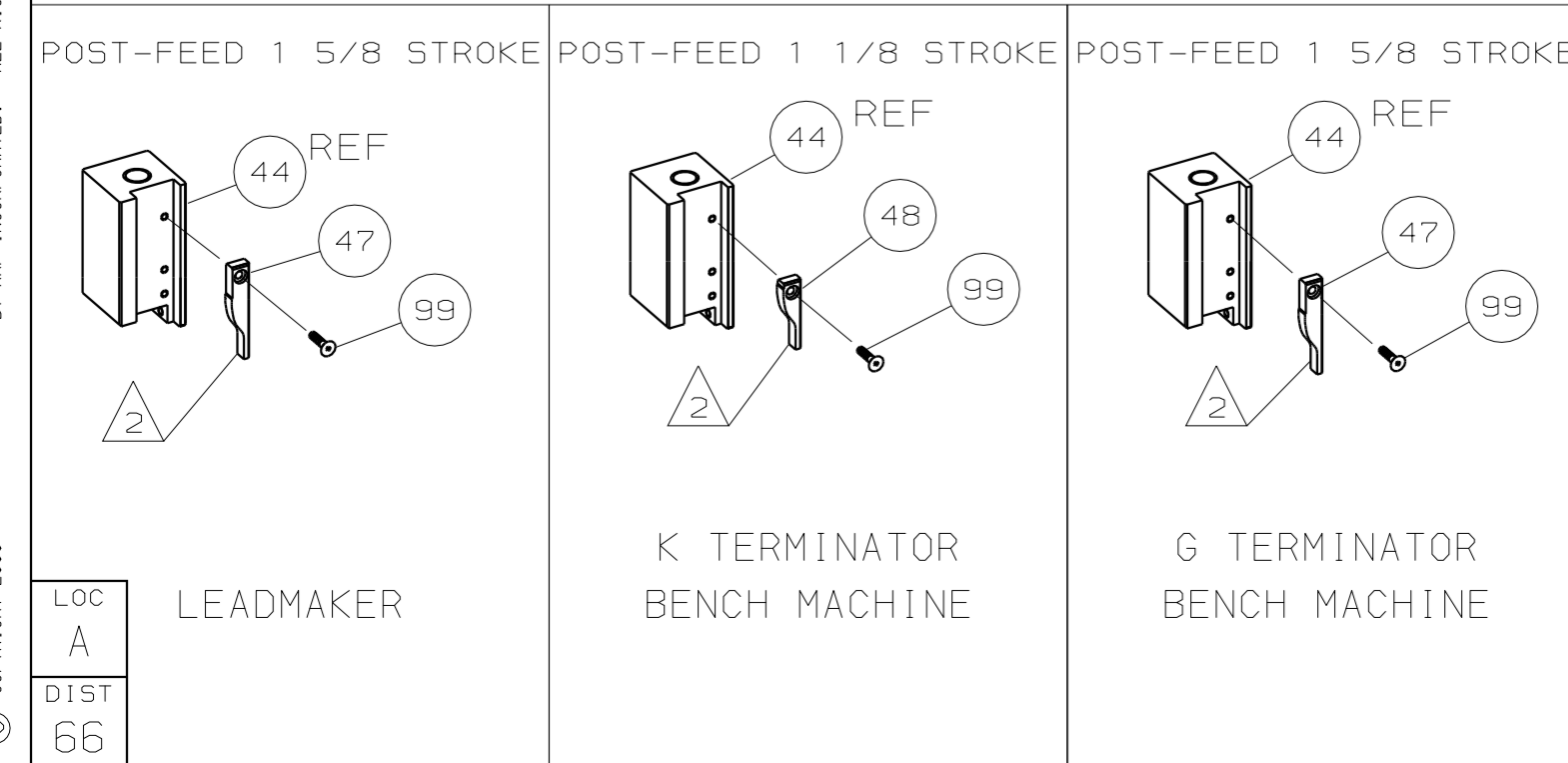


TYCO TERM PN		MFG TERM PN		ESCUBEDO TERMINAL AMP CRIMP SPECS		
PAD LTR	CRIMP HEIGHT	WIRE SIZE				
A	.060 ±.002 [1.52 ±0.05mm]	1.0mm <sup>2</sup>				
B	.056 ±.002 [1.42 ±0.05mm]	0.75mm <sup>2</sup>				
C	.052 ±.002 [1.32 ±0.05mm]	0.5mm <sup>2</sup>				
D	NOT	USED				
CRIMP	SIZE	TYPE	RANGE			
WIRE	.090 [2.29mm]	F	0.5-1.0mm <sup>2</sup>			
INSUL	.130 [3.30mm]	F	ø1.8-2.5mm			
WIRE STRIP LENGTH	TERM APPL	SPEC	FEED	APPL INSTRUCTION	SET UP GAGE	LAYOUT
.188-.203	NONE		.748	408-8039	-	L4032

-1		LEADMAKER & BENCH MODEL G		MECH POST FEED		
-2		BENCH MODEL K		MECH POST FEED		
1	1	-	A	22594-8	NUT, HEX	70
1	1	-	B	240628-1	PLATE, ADJ	69
1	1	-	B	240626-1	SHAFT, PIVOT	68
1	1	-	B	240633-1	BUSHING	67
1	1	-	A	455680-2	LEVER, INTERMEDIATE	66
1	1	-	B	240629-1	BLOCK, PIVOT	65
1	1	-	A	1804311-1	SCR, ADJ	64
1	1	-	B	240659-3	PIN, CAM ROLLER	63
1	1	-	B	240658-1	CAM, ROLLER	62
1	1	-	B	454398-1	ROD, FEED	61
1	1	-	C	458268-1	CAP, RAM	59
1	1	-	D	458267-1	HOUSING	58
1	1	-	A3	1804299-1	SPACER, MAGNET	56
1	1	-	B	240624-1	PIN, FEED FINGER	55
1	1	-	B	691499-1	SPRING, FEED FINGER	54
1	1	-	B	694921-5	FINGER, FEED	53
1	1	-	B	240634-3	LEVER, TERMINAL	52
1	1	-	A	1804310-1	MAGNET, RING	51
1	1	-	A	1804303-1	BRACKET, COUNTER MOUNTING	50
1	1	-	A	1804300-1	APPLICATOR COUNTER ASSEMBLY	49
1	-	-	B	690501-3	CAM, POST FEED 1 1/8 ST	48
-	1	-	B	690501-4	CAM, POST-FEED 1 5/8 ST	47
1	1	-	A	690191-1	PLUG, NYLON	45
1	1	-	C	458266-2	RAM	44
1	1	-	A	690125-1	WASHER, LAMINATED	43
1	1	-	A	690124-1	WASHER, RAM	42
1	1	-	A	7-21002-9	BOLT, CRIMPER (5/16-24x1.00)	41
1	1	-	A	23241-6	BALL, STEEL	40
1	1	-	A	690170-1	SPRING, COMPRESSION	39
1	1	-	C	690142-1	DISC, INSULATION	38
1	1	-	D	354777-1	WIRE DISC, PLASTIC	37
1	1	-	A	22480-5	WASHER, SPRING	36
1	1	-	B	690212-1	POST, RAM	35
1	1	-	B	1-455888-0	SPACER, CRIMPER	30
1	1	-	B	2-690451-4	SPACER, STRIPPER	28
1	1	-	A	468281-1	STRIPPER	27
1	1	-	C	463915-1	PLATE, BASE	26
2	2	-	A	22354-8	DRAG, STUD	25
1	1	-	B	463903-1	PLATE, STRIP GUIDE	24
2	2	-	A	2-22281-3	SPRING, DRAG	22
1	1	-	B	464451-2	ARM, STOCK DRAG	21
1	1	-	A	1-464452-1	DRAG, STOCK	20
1	1	-	B	468699-2	GUIDE, STRIP (REAR)	19
1	1	-	C	468698-2	GUIDE, STRIP (FRONT)	18
1	1	-	A	1804305-2	GUIDE, FEED ROD	17
1	1	-	A	4-22284-9	SPRING, FEED RETURN	16
2	2	-	B	469633-3	BLOCK, SUPPORT	14
1	1	-	B	458255-1	PLATE, REAR SHEAR	11
2	2	-	B	1-240645-8	SPACER, SHEAR PLATE	10
1	1	-	B	455961-5	PLATE, FRONT SHEAR	9
1	1	-	D	8-356038-7	ANVIL	8
1	1	-	B	1-469634-2	BLADE, SLUG	7
1	1	-	C	3-238075-9	SPACER, SLUG BLADE	5
1	1	-	B	238009-1	SPACER, BLOCK CRIMPER	4
1	1	-	C	464113-6	CRIMPER, INSULATION	3
1	1	-	B	2-455888-4	SPACER, CRIMPER	2
1	1	-	C	1-464112-6	CRIMPER, WIRE	1



QTY	RECD	PER	ASSY	PART NO	DESCRIPTION	ITEM NO
2	2	-	C	2-354779-7	PIN, WIRE DISC (.3125)C	129
2	2	-	C	1-354779-8	PIN, WIRE DISC (.3080)B	127
2	2	-	C	354779-9	PIN, WIRE DISC (.3035)A	126
1	1	-	A	986950-1	WASHER, FLAT PRECISION	125
2	2	-	A	21045-3	RING, RET "C" (ø.187)FD PIN	124
						123
						122
						121
1	1	-	A	1-21030-7	PIN, DOWEL (ø.187x1.50)HSG	120
1	1	-	A	1-21030-1	PIN, DOWEL (ø.187x.50)LEVER	119
						118
2	2	-	A	1-21046-6	RING, RETAINING, EXT (5/16)FD ADJ ROD	117
1	1	-	A	21899-4	WASHER, FLAT (ø5/16) SCR ADJ	116
						115
2	2	-	A	18028-2	WASHER, FLAT (M4) COUNTER	114
6	6	-	A	21024-5	WASHER, LOCK (NO. 10) SHEAR PL	113
						112
						111
6	6	-	A	21024-4	WASHER, LOCK (NO. 8) SHEAR BL	110
2	2	-	A	22593-1	NUT, HEX (1/4-20) MAGNET	109
2	2	-	A	21018-4	NUT, HEX (4-40) DRAG	108
1	1	-	A	21018-5	NUT, HEX (6-32)FD ADJ PL	107
						106
2	2	-	A	21022-2	NUT, HEX 5L (8-32)DRAG STUD	105
2	2	-	A	9-21000-9	SCR, SHC (8-32x.44) COUNTER	104
1	1	-	A	3-21081-3	SCR, SHC (1/4-20x1.25) MAGNET	103
2	2	-	A	2-21006-6	SCR, SKT SET (4-40x.62) DRAG	102
1	1	-	A	21009-2	SCR, SKT SET (1/4-20x.25) RAM	101
2	2	-	A	21017-2	SCR, DRIVE (#2x.19) ID PLATE	100
1	1	-	A	1-21002-7	SCR, BHC (6-32x.38) CAM	99
1	1	-	B	461264-1	PLATE, IDENTIFICATION	98
1	1	-	A	6-23715-5	SCR, PAN HD (6-32x1.50)FEED ADJ	97
2	2	-	A	994991-5	SCR, OVAL HD (M4X12) COUNTER	96
2	2	-	A	2-21002-2	SCR, BHC (8-32x.50) STRIPPER	95
4	4	-	A	3-21002-0	SCR, BHC (10-32x.87)HSG CAP	94
1	1	-	A	22733-8	SCR, BHC (8-32x.38 LW) ANVIL	93
4	4	-	A	3-21002-3	SCR, BHC (1/4-20x.50) ST GD PL	92
3	3	-	A	2-22733-8	SCR, BHC (1/4-20x.62) BASE PL	91
						90
						89
						88
2	2	-	A	2-21000-6	SCR, SHC (8-32x.38) SLUG BLADE	87
4	4	-	A	2-21000-7	SCR, SHC (8-32x.50) STRIP GUIDE	86
						85
2	2	-	A	3-21000-7	SCR, SKT CAP (10-32x.75)FD GDE	84
2	2	-	A	1-21000-3	SCR, SHC (4-40x.25) DRAG	83
2	2	-	A	3-21000-6	SCR, SKT CAP (10-32x.62)FD ADJ P	82
1	1	-	A	3-21000-4	SCR, SKT CAP (10-32x.38)PIVOT BL	81
2	2	-	A	4-21000-0	SCR, SKT CAP (10-32x1.25)SH PL	80
1	-	-	A	1-455750-1	GUARD ASSY	79
-	REF	-	A	679532-1	INSERT, GUARD	78
1	-	-	C	465184-9	LUBRICATOR ASSY	77
						76
1	1	-	A	238305-5	SPACER, ADJ PLATE	75
1	1	-	A	690603-1	SPRING, ASSIST	74
1	1	-	A	23030-1	SCR, SKT CAP (6-32x.25) CP DSC	73
1	1	-	A	458109-1	WASHER, FLAT (SPECIAL)	72
1	1	-	A	690517-1	SPACER	71



- 1 RECOMMENDED SPARE PARTS.
- 2 GREASE LIGHTLY.
- 3 GUARD MUST BE IN PLACE WHEN OPERATING APPLICATOR IN A BENCH MACHINE.
- 4 LUBRICATE DAILY USING NO. 20 MACHINE OIL.
- 5 STRIP GUIDE ADJUSTMENT REQUIRED TO CONVERT FROM LEFT TO RIGHT HAND TERMINALS OR VISE-VERSA.
- 6 ITEM 78 USED WITH G TERMINATOR ONLY.

QTY	RECD	PER	ASSY	PART NO	DESCRIPTION	ITEM NO
-2	-1	U/M	DWG SIZE	PART NO	DESCRIPTION	ITEM NO

QTY	RECD	PER	ASSY	PART NO	DESCRIPTION	ITEM NO
-2	-1	U/M	DWG SIZE	PART NO	DESCRIPTION	ITEM NO

THIS DRAWING IS A CONTROLLED DOCUMENT.

THIS DRAWING IS UNCLASSIFIED - RELEASED FOR PUBLICATION BY AMP INCORPORATED. ALL RIGHTS RESERVED. 15MAY2000

1852173

A

B

C

D

E

F

G

H

I

J

DIMENSIONS IN INCHES. DO NOT SCALE PRINT. TOLERANCES UNLESS OTHERWISE SPECIFIED:  
 2 PLC DEC ±  
 3 PLC DEC ±  
 4 PLC DEC ±  
 ANGLES ±  
 SURF TEXTURE: ✓  
 REMOVE BURRS, BREAK SHARP EDGES R.015 MAX

DR	05DEC05	APP	16DEC05
R.O.WILSON		T.ELBIN	
CHK	15DEC05	REL	-
R.O.WILSON			

NAME: END FEED HDM APPLICATOR MACHINE REF: MINI APPL  
 SCALE: - DWG NO: 1852173 SHEET: 1 OF 1 REV: B  
 CAGE CODE: 00779 CUSTOMER AND ASSEMBLY DRAWING RESTRICTED TO