

6

5

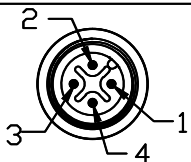
4

3

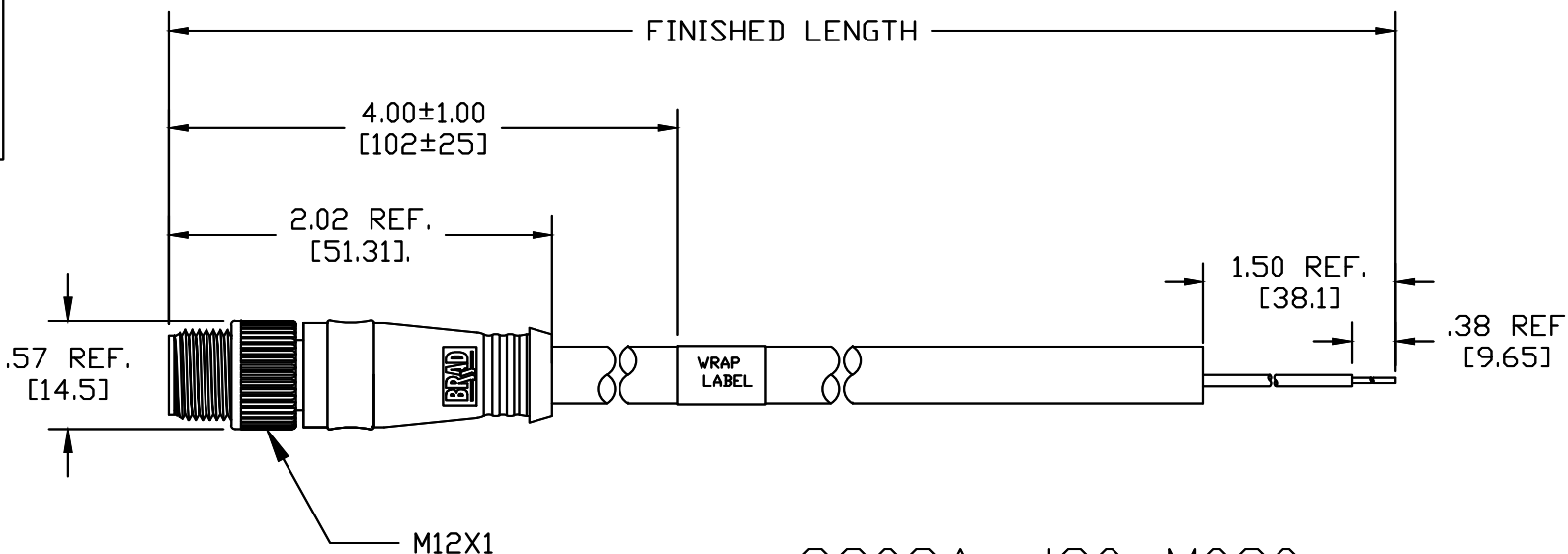
2

1

MALE INSERT
FACE VIEW



- 1 DRAIN WIRE
- 2 WHITE<DB>
- 3 YELLOW<DG>
- 4 BLUE <DA>



CC02A-J30-M020

Wire type
22/3C AWG
Brown PVC

cable length
M020----2 Meter
M100-----10 Meter

MECHANICAL
 CONTACT: GOLD/NICKEL OVER COPPER ALLOY
 INSERT : NYLON 6/6
 COUPLING NUT: ZINC DIECAST WITH BLACK EPOXY COATED
 MOLDED BODY: GREY PVC
 CABLE COLOR: BROWN
 CABLE MARKING: FANC-110SBH KURAMO FA(JAPANESE WORDS)
 CC-LINK Ver.1.10 KURAMO E162205-K c us AWM Style 2464
 I A 80C 300V VW-1 FT1 LF

ELECTRICAL
 VOLTAGE RATING: 250V AC/DC
 AMPERAGE: 4A

ENVIRONMENTAL
 PROTECTION: IP67 PER IEC 60529
 IP68 PER SPEC PS-120001-001
 OPERATION TEMP: 0°C~80°C

CABLE MARKING UPDATE EC NO: IFC2015-1192 DRWN: CAAVILES 2014/12/30 CHKD: TWOLDEGE APPR: JFMURPHY 2012/11/01	QUALITY SYMBOLS	GENERAL TOLERANCES (UNLESS SPECIFIED)		DIMENSION STYLE INCH/MM		SCALE 1:1	DESIGN UNITS INCH	THIRD ANGLE PROJECTION
	▽=0	mm	INCH	DRAWN BY TWOLDEGE	DATE 2012/09/25	TITLE CC-LINK MICRO CHANGE 4-POLE MALE STRAIGHT 20/3C SHLDED BROWN PVC		
	▽C=0	4 PLACES ±---	±---	CHECKED BY VOU	DATE ---			
	REV B	3 PLACES ±---	±.005	APPROVED BY JFMURPHY	DATE 2012/11/01	MOLEX INCORPORATED DOCUMENT NO. SD-130257-001 SHEET NO. 1 OF 1		
	2 PLACES ±.13	±.010	MATERIAL NO.					
	1 PLACE ±.25	±.020	DRAFT WHERE APPLICABLE MUST REMAIN WITHIN DIMENSIONS		THIS DRAWING CONTAINS INFORMATION THAT IS PROPRIETARY TO MOLEX INCORPORATED AND SHOULD NOT BE USED WITHOUT WRITTEN PERMISSION			

6

5

4

3

2

1

E

E

D

D

C

C

B

B

A

A