

MATERIAL NUMBER

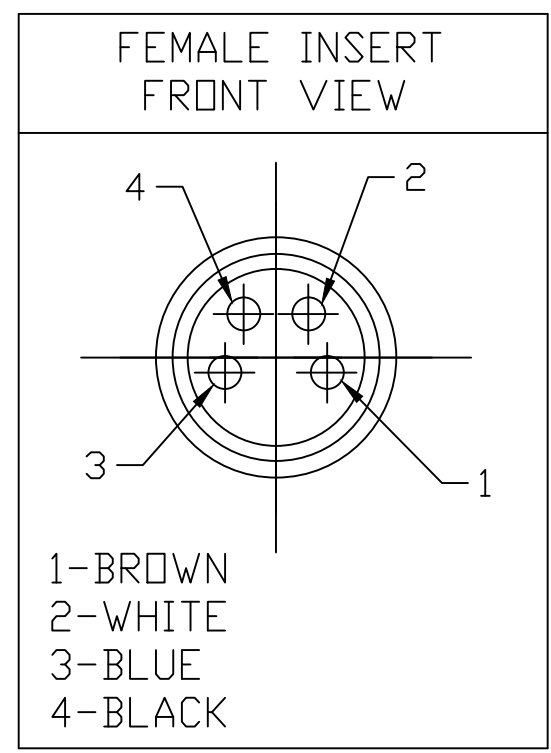
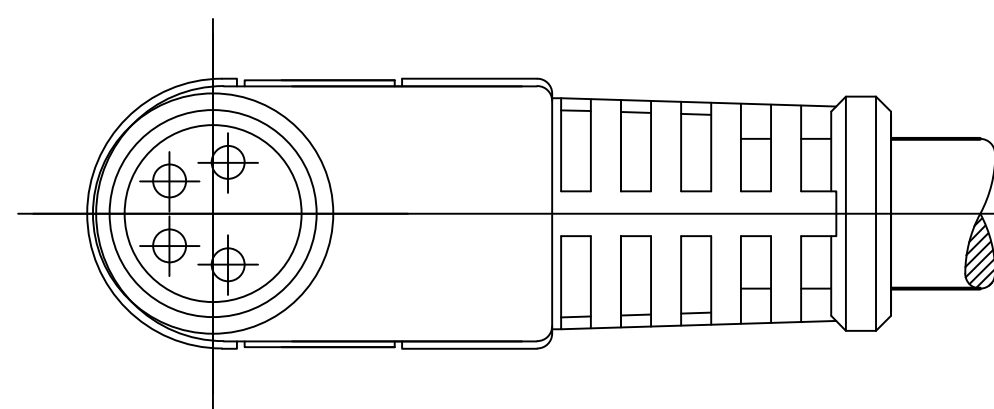
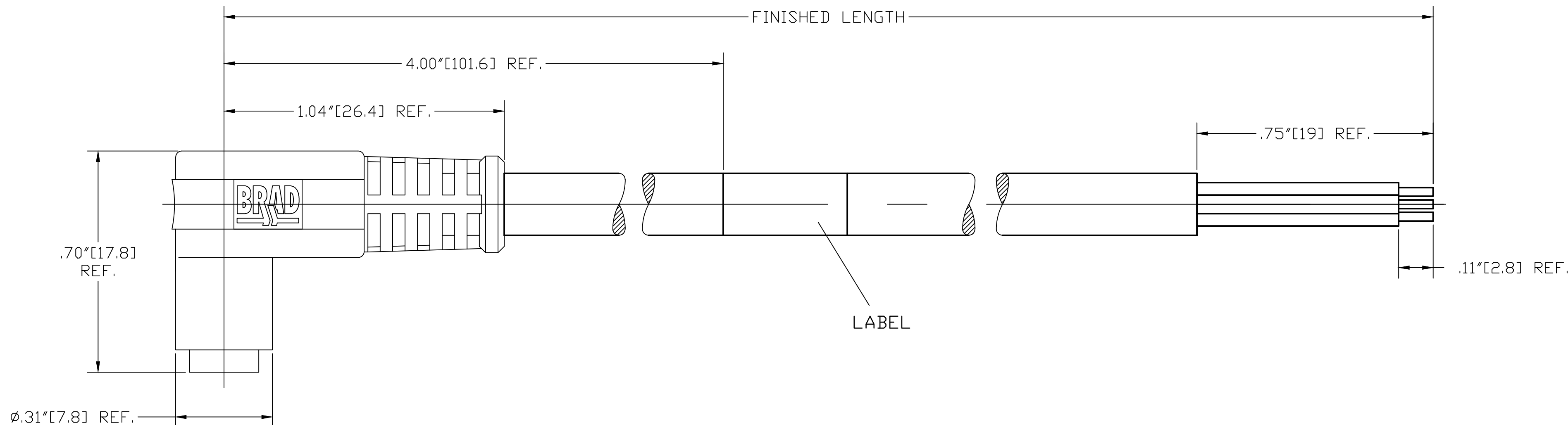
OLD PART NUMBER

FINISHED LENGTH

120088-0130

504001B09M020

6.56' +3.50" -0 [2.0M +88.9mm -0]



504001B09M020

Wire type
4x .25mm²
Yellow PUR

cable length
M020----2 Meter
M100----10 Meter

CONTACT:	GOLD/NICKEL OVER COPPER ALLOY
INSERT:	PUR, BLACK
MOLDED BODY:	RITFLEX, YELLOW
VOLTAGE RATING:	60 VAC/75 VDC
AMPERAGE RATING:	4 AMPS
PROTECTION:	IP67
OPERATING TEMPERATURE:	-20°C TO 80°C
CERTIFICATIONS:	UL LISTED, FILE NO. E152210; CSA CERTIFIED, FILE NO. LR6837

1	BROWN
2	WHITE
3	BLUE
4	BLACK

WIRING DIAGRAM

INITIAL RELEASE EC NO: IPG2014-0063 DRWN: EBRACKEN 2013/06/28 CH'KD: RSTONE APPR: BWOODMAN 2013/08/16 REV A	QUALITY SYMBOL ▽=0 ▽=0	GENERAL TOLERANCES (UNLESS SPECIFIED) <table border="1"> <tr> <td></td> <td>mm</td> <td>INCH</td> </tr> <tr> <td>4 PLACES</td> <td>±---</td> <td>±---</td> </tr> <tr> <td>3 PLACES</td> <td>±---</td> <td>±.005</td> </tr> <tr> <td>2 PLACES</td> <td>±0.13</td> <td>±.010</td> </tr> <tr> <td>1 PLACE</td> <td>±0.25</td> <td>±.020</td> </tr> </table>		mm	INCH	4 PLACES	±---	±---	3 PLACES	±---	±.005	2 PLACES	±0.13	±.010	1 PLACE	±0.25	±.020	DIMENSION STYLE IN/MM DRAWN BY DATE EBRACKEN 2013/06/18 CHECKED BY DATE RSTONE APPROVED BY DATE BWOODMAN 2013/08/16	SCALE --- DESIGN UNITS INCH THIRD ANGLE PROJECTION	TITLE NANO-CHANGE ASSEMBLY 4 POLE FP 90D SNAP #24-4 YELLOW PUR MOLEX INCORPORATED MATERIAL NO. SEE CHART DOCUMENT NO. SD-120088-032 SHEET NO. 1 OF 1
		mm	INCH																	
	4 PLACES	±---	±---																	
	3 PLACES	±---	±.005																	
2 PLACES	±0.13	±.010																		
1 PLACE	±0.25	±.020																		
DRAFT WHERE APPLICABLE MUST REMAIN WITHIN DIMENSIONS		THIS DRAWING CONTAINS INFORMATION THAT IS PROPRIETARY TO MOLEX INCORPORATED AND SHOULD NOT BE USED WITHOUT WRITTEN PERMISSION																		