

BACKPLANE HOLE PATTERN  
RECOMMENDED DIMENSION

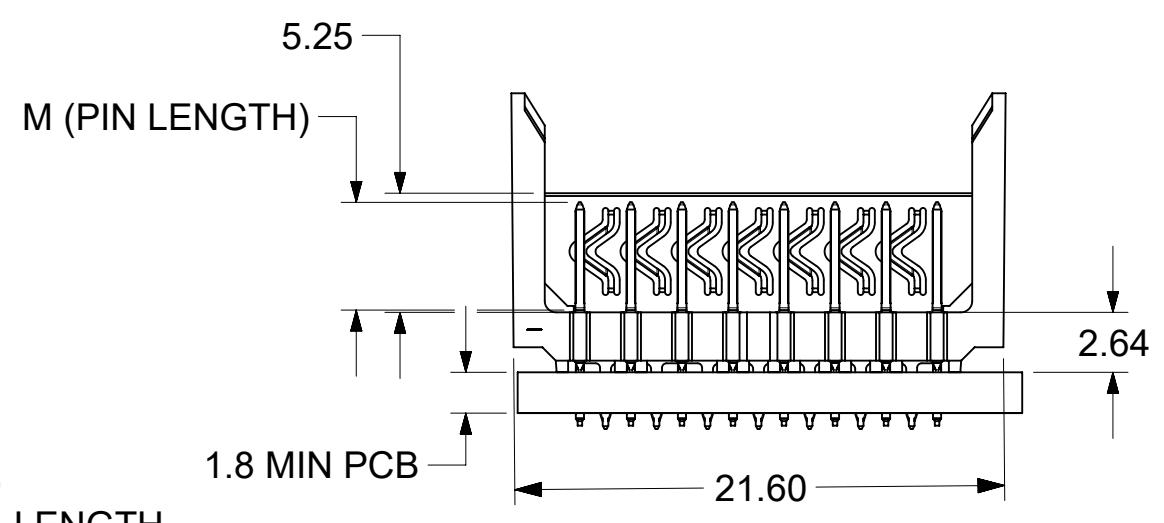
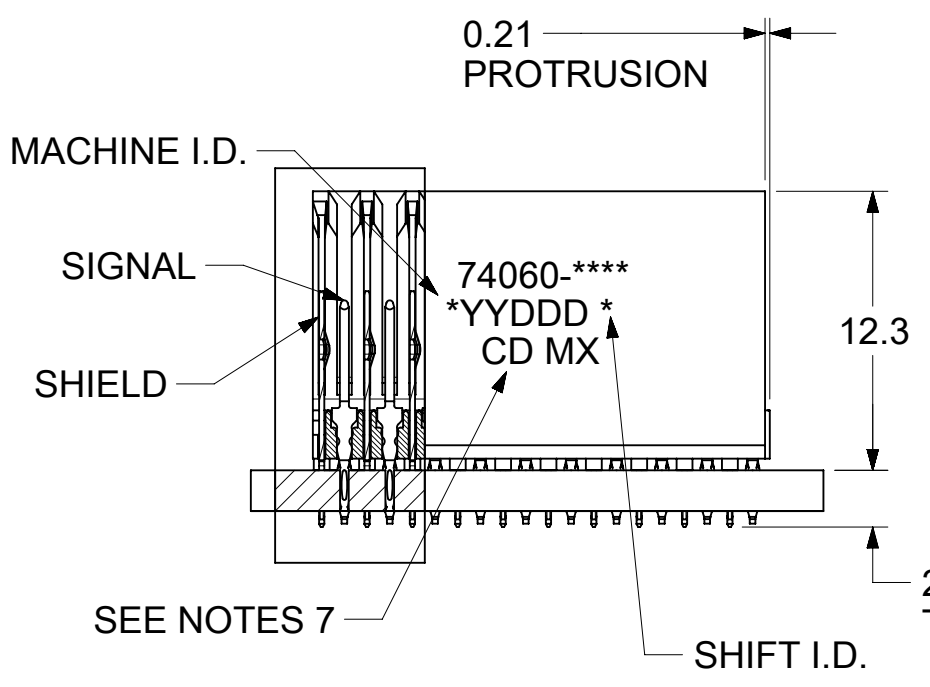
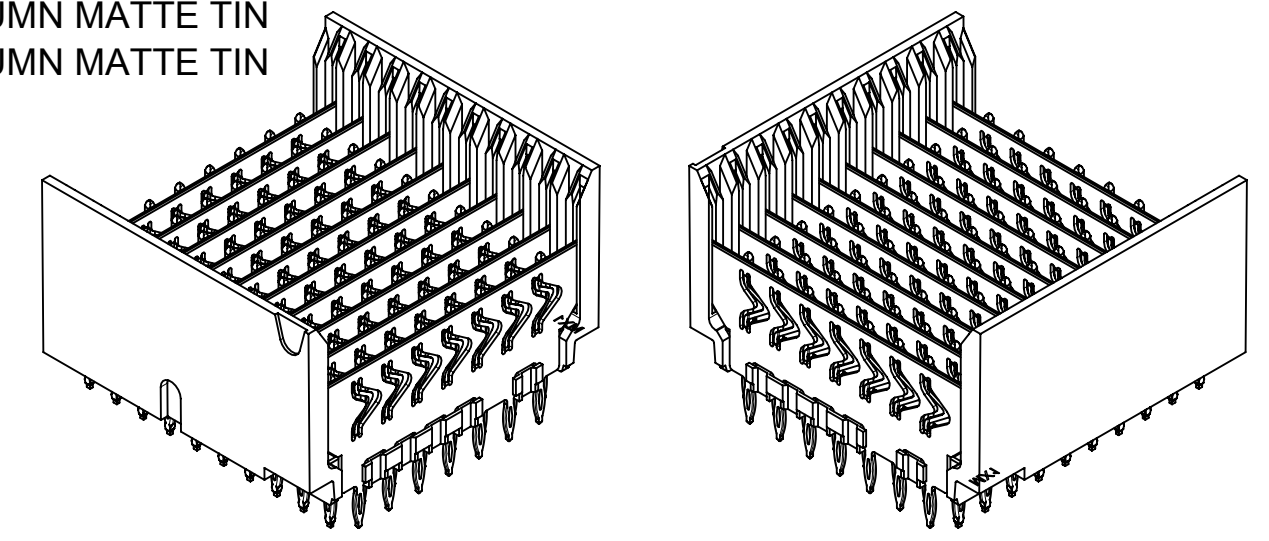
MATERIAL NUMBER ASSIGNMENT

74060-\*\* 0\*

PIN HEIGHT / PLATING  
1-4 = 0.25 or 0.76 GOLD  
6-9 = 1.27 GOLD

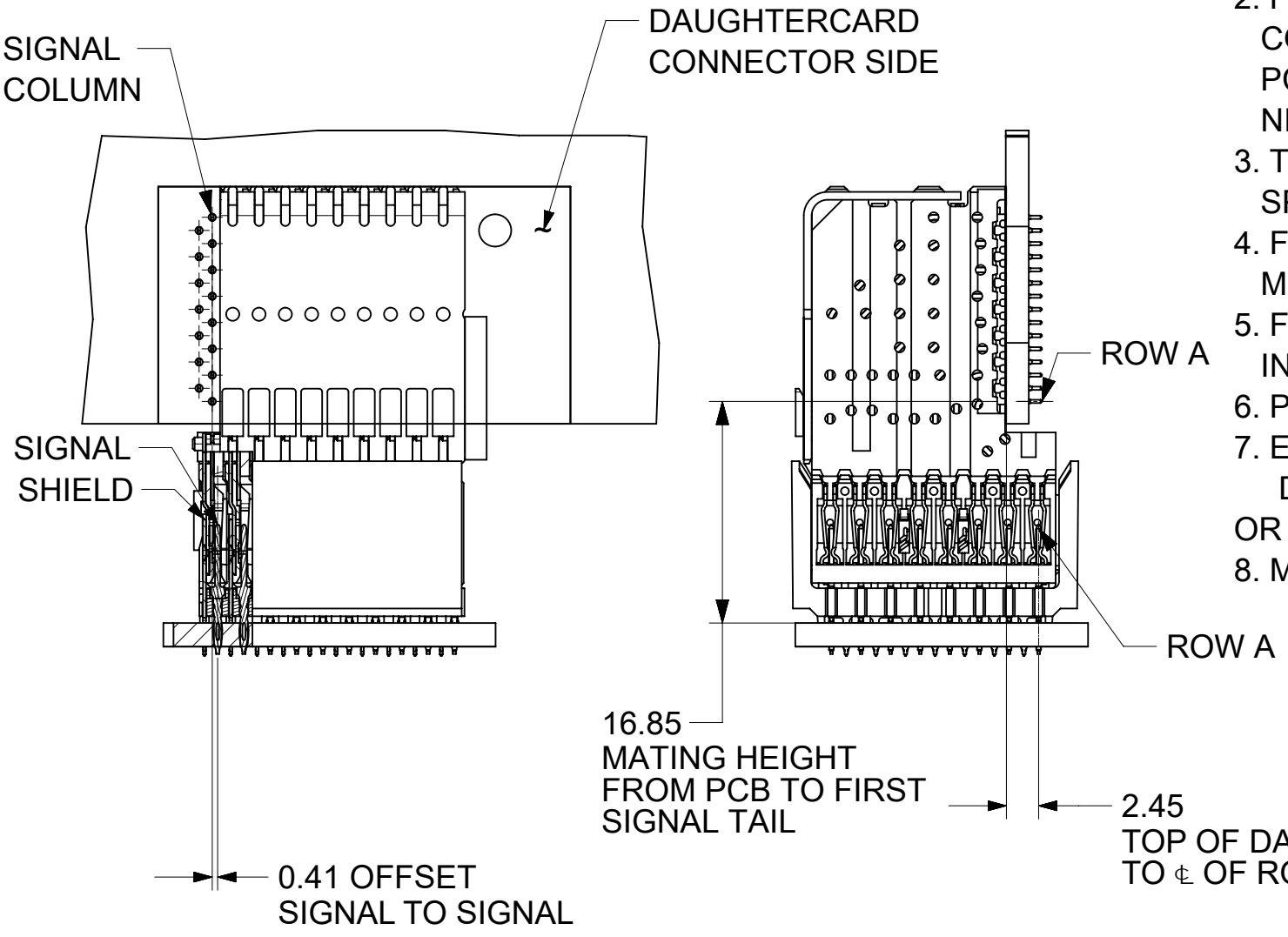
NUMBER OF COLUMNS/PLATING  
10 = 10 COLUMN MATTE TIN (FORMERLY TIN/LEAD)  
25 = 25 COLUMN MATTE TIN (FORMERLY TIN/LEAD)  
60 = 10 COLUMN MATTE TIN (MAPS)  
75 = 25 COLUMN MATTE TIN (MAPS)  
90 = 10 COLUMN MATTE TIN  
85 = 25 COLUMN MATTE TIN

1 & 6 = 4.75  
2 & 7 = 6.25  
3 & 8 = 4.25  
4 & 9 = 5.15



- NOTES:
- MATERIALS:  
HOUSING - LIQUID CRYSTAL POLYMER (LCP),  
GLASS-FILLED, UL 94V-0, COLOR: BLACK  
SIGNAL PIN & SHIELD - COPPER ALLOY
  - FINISHES:  
CONTACT AREA: SELECTIVE GOLD (Au)  
PCB TAILS: SELECTIVE MATTE TIN (Sn)  
NICKEL (Ni) OVERALL.
  - THIS PART CONFORMS TO MOLEX PRODUCT SPECIFICATION PS-74031-999
  - FOR MIXED CONTACT LENGTHS CONSULT MOLEX FOR AVAILABILITY
  - FOR SPECIFIC MATERIAL NUMBERS & MATING INFORMATION REFER TO TABLE
  - PACKAGE PER PK-74060-003
  - EITHER MARK PART WITH PART NUMBER & DATE CODE APPROXIMATELY WHERE SHOWN OR PLACE LABEL ON THE TUBE.
  - MAPS (MOLEX ADVANCED PLATING SYSTEM)

PART NUMBER	COLUMN	NUMBER OF SIGNAL PIN	NUMBER OF SHIELD	A	B	M	GOLD THICKNESS MICROMETER	TIN THICKNESS MICROMETER
74060-6001	10	80	10	20.00	18.00	4.75	0.25 MAPS	0.76-1.52
74060-*001							0.76	
74060-*006							1.27	
74060-7501	25	200	25	50.00	48.00	6.25	0.25 MAPS	
74060-*501							0.76	
74060-*506							1.27	
74060-6002	10	80	10	20.00	18.00	4.25	0.25 MAPS	
74060-*002							0.76	
74060-*007							1.27	
74060-7502	25	200	25	50.00	48.00	6.25	0.25 MAPS	
74060-*502							0.76	
74060-*507							1.27	
74060-6003	10	80	10	20.00	18.00	4.25	0.25 MAPS	
74060-*003							0.76	
74060-*008							1.27	
74060-7503	25	200	25	50.00	48.00	6.25	0.25 MAPS	
74060-*503							0.76	
74060-*508							1.27	
74060-6004	10	80	10	20.00	18.00	5.15	0.25 MAPS	
74060-*004							0.76	
74060-*009							1.27	
74060-7504	25	200	25	50.00	48.00	6.25	0.25 MAPS	
74060-*504							0.76	
74060-*509							1.27	



FUNCTIONAL SYMBOLS: FA=0, FC=0, FP=0

THIS DRAWING CONTAINS INFORMATION THAT IS PROPRIETARY TO MOLEX ELECTRONIC TECHNOLOGIES, LLC AND SHOULD NOT BE USED WITHOUT WRITTEN PERMISSION

SCALE: 3:1

GENERAL TOLERANCES (UNLESS SPECIFIED)

	MM	INCH
4 PLACES	±	±
3 PLACES	±	±
2 PLACES	± 0.25	±
1 PLACE	± 0.38	±
0 PLACES	±	±
ANGULAR TOL	± 0.5°	

EC NO: 667326  
DRWN: VARUNH  
CHK'D: JKACHLIC  
APPR: JKACHLIC

INITIAL REVISION:  
DRWN: MWANG  
APPR: SMILLER

DATE: 2021/05/03  
2021/06/18  
2021/06/18

DATE: 1998/11/09  
2012/09/07

THIRD ANGLE PROJECTION

DRAFT WHERE APPLICABLE MUST REMAIN WITHIN DIMENSIONS

CURRENT REV DESC: DRAWING UPDATED

EC NO: 667326  
DRWN: VARUNH  
CHK'D: JKACHLIC  
APPR: JKACHLIC

INITIAL REVISION:  
DRWN: MWANG  
APPR: SMILLER

DATE: 2021/05/03  
2021/06/18  
2021/06/18

DATE: 1998/11/09  
2012/09/07

THIRD ANGLE PROJECTION

DRAFT WHERE APPLICABLE MUST REMAIN WITHIN DIMENSIONS

DOCUMENT NUMBER: SD-74060-002

DOC TYPE: PSD

DOC PART: 001

REVISION: N

MATERIAL NUMBER: SEE TABLE

CUSTOMER: GENERAL MARKET

SHEET NUMBER: 1 OF 2

PRODUCT CUSTOMER DRAWING

VHDM 8 ROW  
OPEN END BACKPLANE SALES ASSEMBLY

molex

DATE	REVERSION	DESCRIPTION
2021.06.16	N	1. DRAWING MIGRATION; 2. SHEET 1 F4: ADD ISOMETRIC VIEW TO SHOW THE SIDE NOTCH ON HOUSING; 3. SHEET 1 F11: AMEND 0.21MAX TO 0.21(±0.25), PER ACTUAL PART DIMENSION; 4. SHEET 1 D12: CHANGE LOGO FROM "USA" TO "CD", SINCE PART PRODUCTION TRANSFERED TO CHENGDU ALREADY. 5. SHEET 1 A10: AMEND MATING HEIGHT FROM 14.21 TO 16.85, PER ACTUAL PART DIMENSION;

<b>FUNCTIONAL SYMBOLS</b> = 0 = 0 = 0 #####         	THIS DRAWING CONTAINS INFORMATION THAT IS PROPRIETARY TO MOLEX ELECTRONIC TECHNOLOGIES, LLC AND SHOULD NOT BE USED WITHOUT WRITTEN PERMISSION													
	DIMENSION UNITS		SCALE		CURRENT REV DESC: DRAWING UPDATED									
	mm		3:1											
	GENERAL TOLERANCES (UNLESS SPECIFIED)				EC NO: 667326		DRWN: VARUNH		2021/05/03		<b>VHDM 8 ROW</b> <b>OPEN END BACKPLANE SALES ASSEMBLY</b>			
	4 PLACES		±	±	DRWN: JKACHLIC		2021/06/18							
	3 PLACES		±	±	CHK'D: JKACHLIC		2021/06/18		<b>PRODUCT CUSTOMER DRAWING</b>					
	2 PLACES		± 0.25	±	APPR: JKACHLIC		2021/06/18							
	1 PLACE		± 0.38	±	INITIAL REVISION:				DOCUMENT NUMBER		DOC TYPE	DOC PART	REVISION	
	0 PLACES		±	±	DRWN: MQWANG		1998/09/30		SD-74060-002		PSD	001	N	
	ANGULAR TOL		± 0.5 °		APPR: MBYRNE		2000/12/15		MATERIAL NUMBER		CUSTOMER		SHEET NUMBER	
DRAFT WHERE APPLICABLE MUST REMAIN WITHIN DIMENSIONS				THIRD ANGLE PROJECTION		DRAWING	SERIES	SEE TABLE	GENERAL MARKET		2 OF 2			

DOCUMENT STATUS	P1	RELEASE DATE	2021/06/18	02:55:56
-----------------	----	--------------	------------	----------