

DESIGNED & DIMENSIONED
IN MILLIMETERS [INCHES]

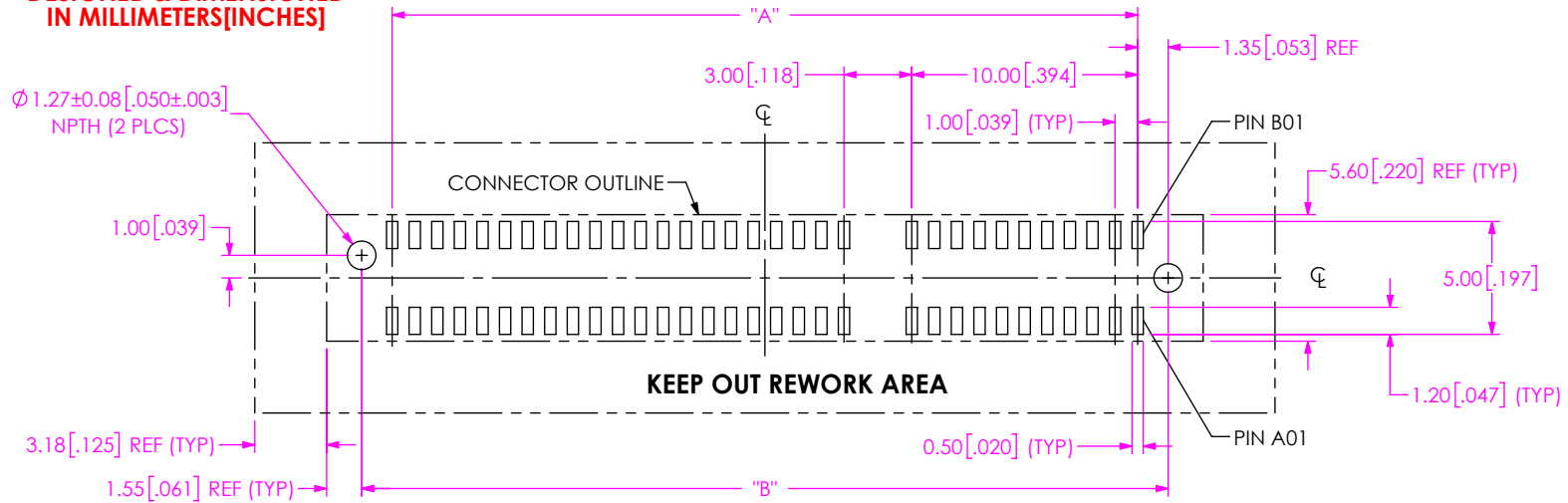


FIG 1
PCIE-G4-XX-XX-X-DV-A-K-XX FOOTPRINT SHOWN

No OF LANES	"A"	"B"	"C"
-01	19.00 [0.748]	21.70 [0.854]	23.30 [0.917]
-04	33.00 [1.299]	35.70 [1.406]	37.30 [1.469]
-08	50.00 [1.969]	52.70 [2.075]	54.30 [2.138]
-16	83.00 [3.268]	85.70 [3.374]	87.30 [3.437]

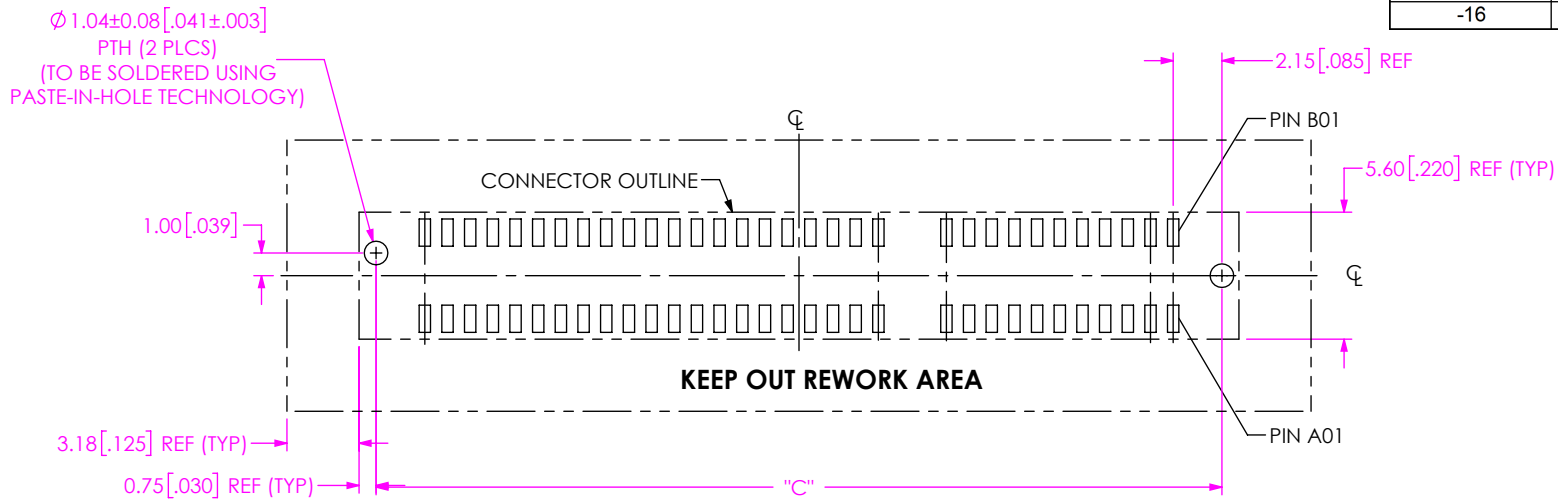


FIG 2
PCIE-G4-XX-XX-X-DV-WT-K-XX FOOTPRINT SHOWN
(DIFFERENT AS SHOWN, OTHERWISE SAME AS FIG 1)

TOLERANCES ARE:
DECIMALS
X: ± 0.3[.01]
XX: ± 0.10[.004]
XXX: ± 0.05[.0020]

ANGLES
2°

PROPRIETARY NOTE
THIS DOCUMENT CONTAINS CONFIDENTIAL AND PROPRIETARY INFORMATION AND ALL DESIGN, MANUFACTURING, REPRODUCTION, USE, PATENT RIGHTS AND SALES RIGHTS ARE EXPRESSLY RESERVED BY SAMTEC, INC. THIS DOCUMENT SHALL NOT BE DISCLOSED, IN WHOLE OR PART, TO ANY UNAUTHORIZED PERSON OR ENTITY NOR REPRODUCED, TRANSFERRED OR INCORPORATED IN ANY OTHER PROJECT IN ANY MANNER WITHOUT THE EXPRESS WRITTEN CONSENT OF SAMTEC, INC.



520 PARK EAST BLVD, NEW ALBANY, IN 47150
PHONE: 812-944-6733 FAX: 812-948-5047
e-Mail info@SAMTEC.com code 55322

NOTE:
STENCIL TO BE 0.15[.006] THICK.

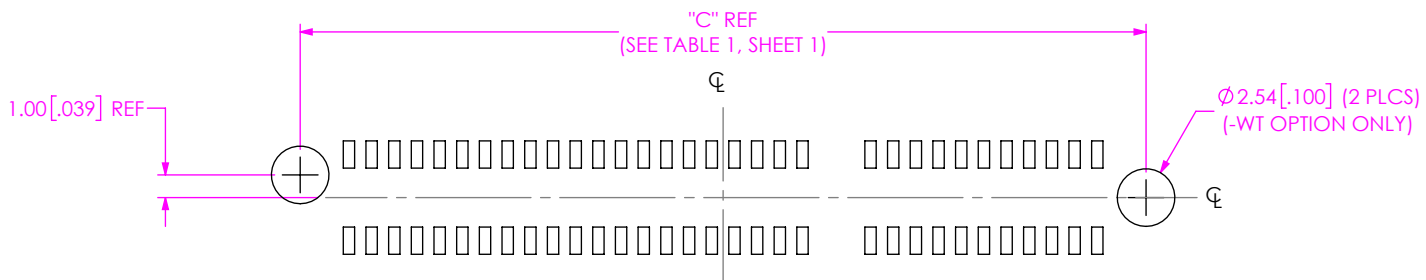


FIG 3
PCIE-G4-XX-XX-X-DV-XX-K-XX FOOTPRINT SHOWN
(DIFFERENT AS SHOWN, OTHERWISE SAME AS FIG 2)

• PROPRIETARY NOTE •
THIS DOCUMENT CONTAINS CONFIDENTIAL AND PROPRIETARY INFORMATION AND ALL DESIGN, MANUFACTURING, REPRODUCTION, USE, PATENT RIGHTS AND SALES RIGHTS ARE EXPRESSLY RESERVED BY SAMTEC, INC. THIS DOCUMENT SHALL NOT BE DISCLOSED, IN WHOLE OR PART, TO ANY UNAUTHORIZED PERSON OR ENTITY NOR REPRODUCED, TRANSFERRED OR INCORPORATED IN ANY OTHER PROJECT IN ANY MANNER WITHOUT THE EXPRESS WRITTEN CONSENT OF SAMTEC, INC.



520 PARK EAST BLVD, NEW ALBANY, IN 47150
PHONE: 812-944-6733 FAX: 812-948-5047
e-Mail info@SAMTEC.com code 55322

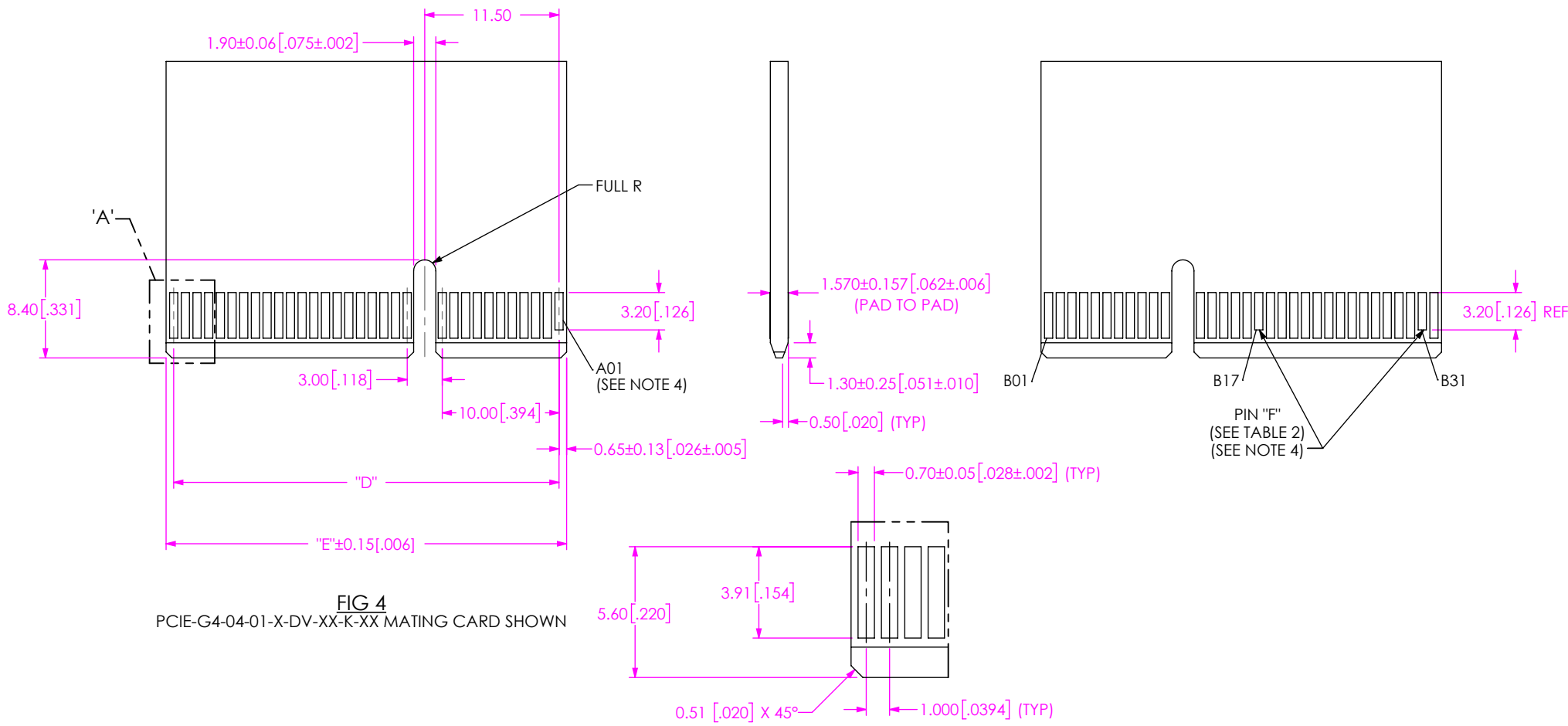


FIG 4
PCIE-G4-04-01-X-DV-XX-K-XX MATING CARD SHOWN

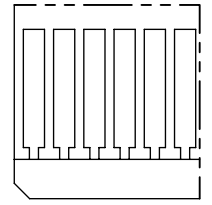
DETAIL 'A'
SCALE 4 : 1

TABLE 2			
No OF LANES	"D"	"E"	PIN "F"
-01	19.000 [0.7480]	20.30 [0.799]	B17
-04	33.000 [1.2992]	34.30 [1.350]	B31
-08	50.000 [1.9685]	51.30 [2.020]	B48
-16	83.000 [3.2677]	84.30 [3.319]	B81

NOTES:

1. ALL DIMENSIONS ARE SYMMETRIC ABOUT THE CENTERLINE.
2. PLATING TO BE .000030 INCHES GOLD WITH A HARDNESS OF 130-200 KNOOP PER ASTM B 488 TYPE 2, GRADE C.
3. FOR PROPER CONTACT REGISTRATION, PLATING BUS TIES TO BE THE WIDTH OF THE EDGE FINGER.
4. NO TIE BAR PERMITTED FROM CARD EDGE TO LEADING EDGE OF PAD FOR PINS A01 AND "F"

F:\DWG\MISC\Mktg\Footprint\PCIE-G4-XX-XX-X-DV-XX-K-XX-FOOTPRINT.SLDDRW



DETAIL 'B'
SCALE 4 : 1

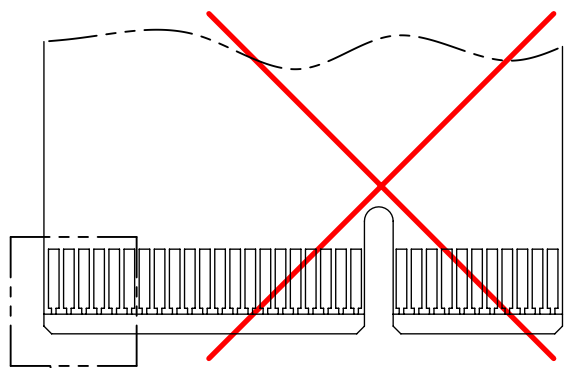


FIG 5
(SEE NOTE 3)

PROPRIETARY NOTE
THIS DOCUMENT CONTAINS CONFIDENTIAL AND PROPRIETARY INFORMATION AND ALL DESIGN, MANUFACTURING, REPRODUCTION, USE, PATENT RIGHTS AND SALES RIGHTS ARE EXPRESSLY RESERVED BY SAMTEC, INC. THIS DOCUMENT SHALL NOT BE DISCLOSED, IN WHOLE OR PART, TO ANY UNAUTHORIZED PERSON OR ENTITY NOR REPRODUCED, TRANSFERRED OR INCORPORATED IN ANY OTHER PROJECT IN ANY MANNER WITHOUT THE EXPRESS WRITTEN CONSENT OF SAMTEC, INC.



520 PARK EAST BLVD, NEW ALBANY, IN 47150
PHONE: 812-944-6733 FAX: 812-948-5047
e-Mail info@SAMTEC.com code 55322