



Data Sheet

AT-1127-ST-HT-R

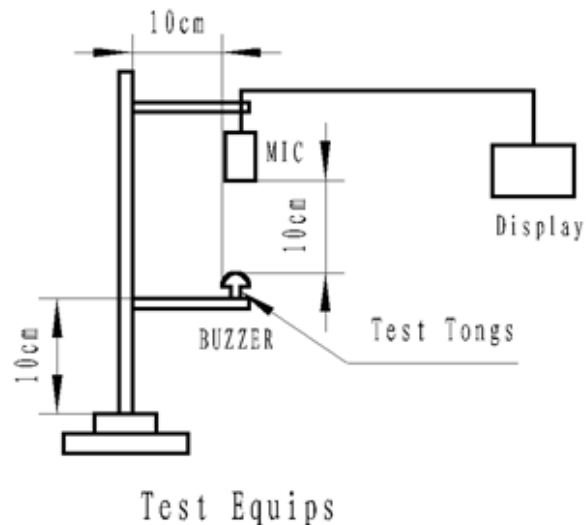
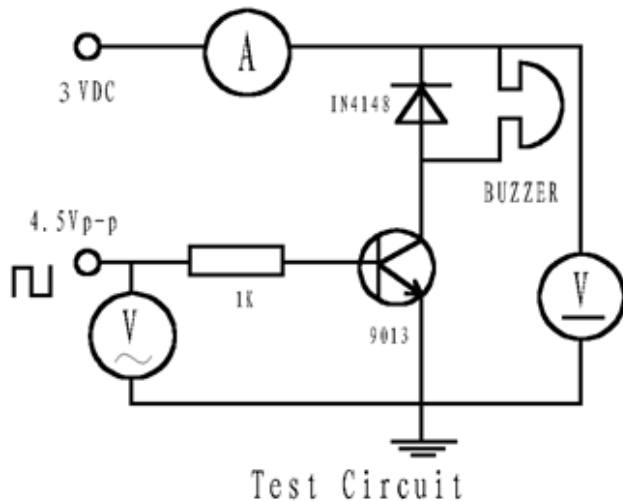
PUI Audio's **High-Temp** line of products is designed with ultra-wide operating temperatures. The **AT-1127-ST-HT-R** is designed for high output at 2700 Hz in a small package.

- Only weighs 0.7 grams
- 85 dB output with 3V0-p and 2700 Hz input
- Wide -40°C to +85°C operating temperature range

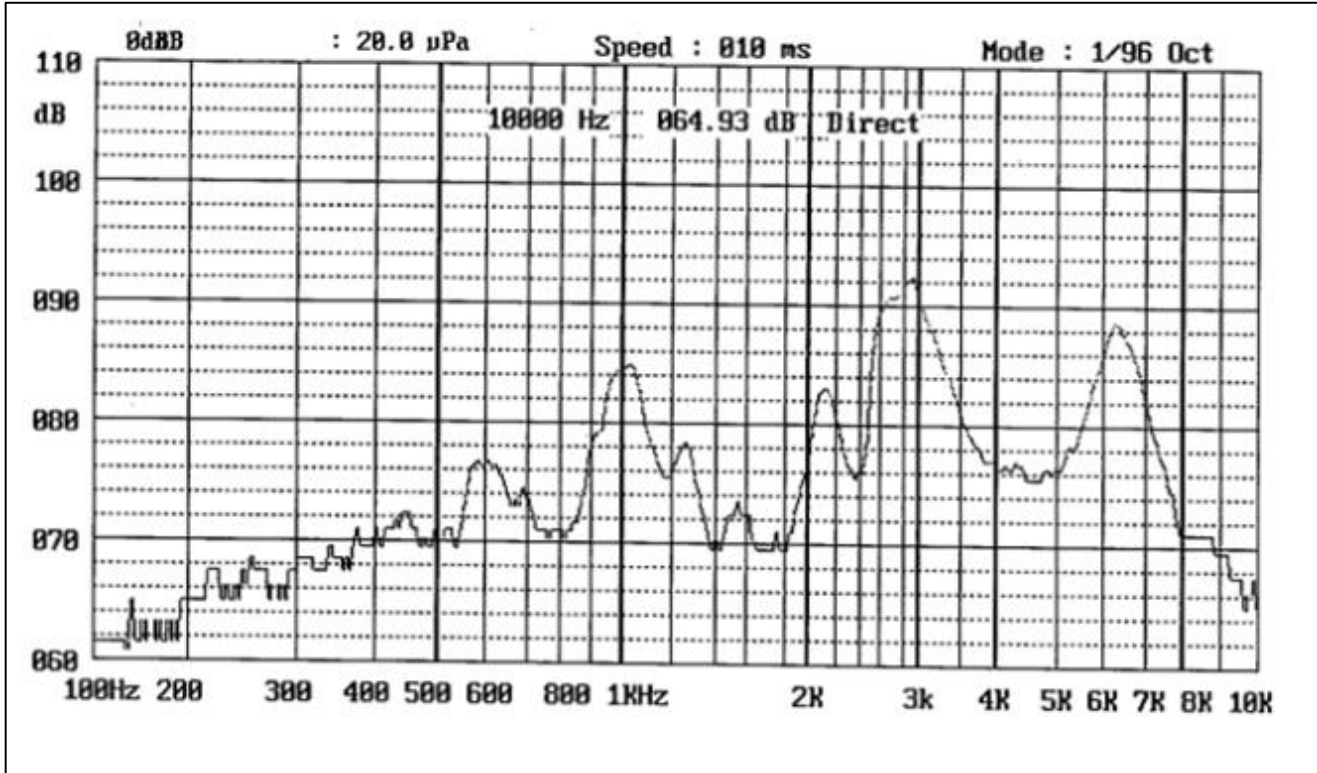
**Specifications**

| Parameters                    | Values                   | Units                               |
|-------------------------------|--------------------------|-------------------------------------|
| Rated Voltage                 | 3                        | V0-p                                |
| Operating Voltage Range       | 2 ~ 5                    | V0-p                                |
| Current Draw at Rated Voltage | ≤80                      | mA                                  |
| Coil Resistance               | 16±3                     | Ohms                                |
| Minimum SPL @ 10cm            | ≥85                      | dBA                                 |
| Resonant Frequency            | 2700 ±500                | Hz                                  |
| Housing Material              | PPO                      | -                                   |
| Weight                        | 0.7                      | Grams                               |
| Acceptable Soldering Methods  | Hand Solder, Wave Solder | See below for soldering information |
| Environmental Compliances     | RoHS                     | -                                   |
| Storage Temperature           | -40 ~ +90                | °C                                  |
| Operating Temperature         | -40 ~ +85                | °C                                  |

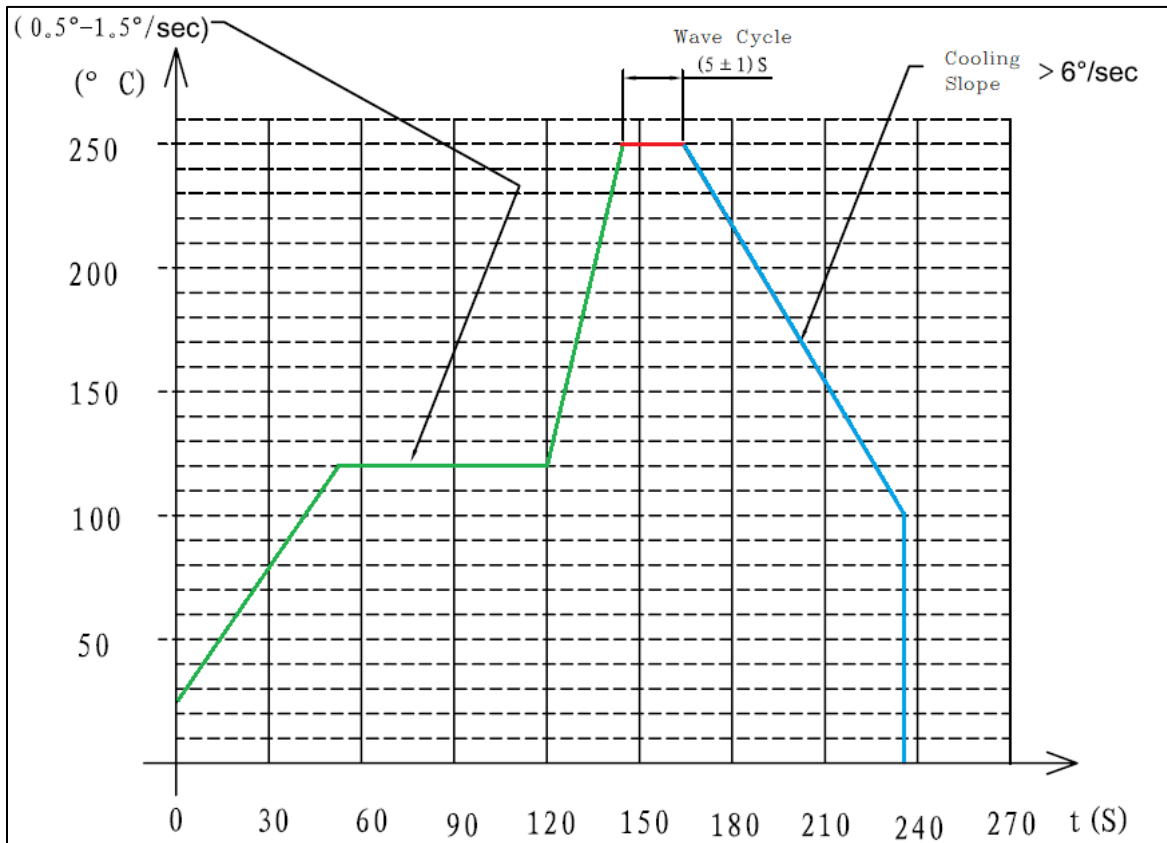
**Measurement Method** (3V0-p, 2700Hz, 50% duty cycle square wave with a SPL meter at 10cm)



### Typical Frequency Response (3V0-p sine-sweep with microphone spaced at 10cm)



### Recommended Wave Soldering Procedure

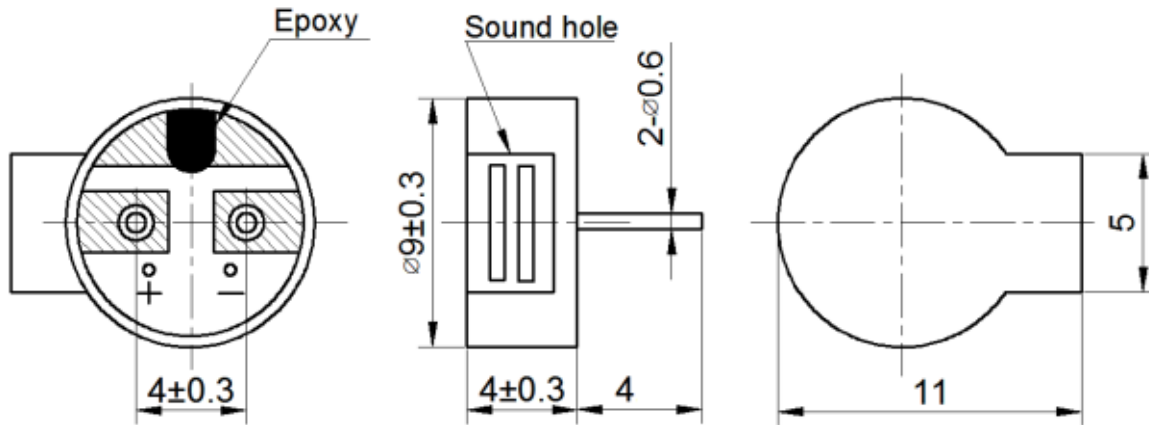


## Reliability Testing

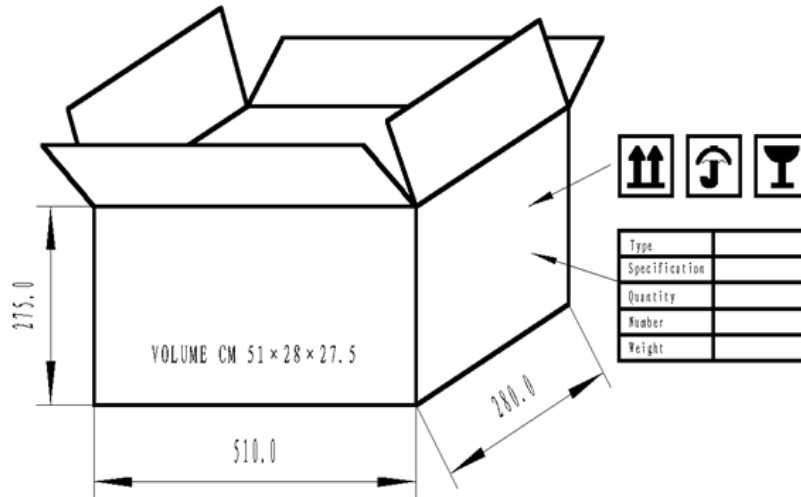
| Type of Test              | Test Specifications  |
|---------------------------|--|
| High Temperature Test     | +90±2°C, 96HRS   |
| Low Temperature Test      | -40±2°C, 96HRS   |
| Humidity Test             | 40±5°C, 93(+2/-3) %RH, 96HRS   |
| Temperature Cycle Testing | 5 cycles, with 1 cycle consisting of:<br>-40±2°C, 30minutes<br>Room temp., 15 minutes<br>+90±2°C, 30 minutes<br>Room temp., 15 minutes                                     |
| Vibration Test            | Test the part in the directions of X, Y, and Z (total 0.5 hours), to-and-fro sweep time (from 10 to 55 Hz and then 55 to 10) under single amplitude of 1.0mm for 1 minute. |
| Drop Test                 | Drop part 3 times from a height of 70 cm onto the surface of a 10 mm thick wooden board.   |

All specifications must be satisfied after the test.

## Dimensions (Tolerance: ±0.5mm unless specified)



## Packaging



### NOTES:

- 1.100 PCS per box
- 2.Total 30 boxes per carton
- 3.Total 3000 PCS carton
- 4.Volume:51 × 28 × 27.5cm

**Specifications Revisions**

| <b>Revision</b> | <b>Description</b>        | <b>Date</b> |
|-----------------|---------------------------|-------------|
| -               | Released from Engineering | 4/2/20      |

Note:

1. Unless otherwise specified:
  - A. All dimensions are in millimeters.
  - B. Default tolerances are  $\pm 0.5\text{mm}$  and angles are  $\pm 3^\circ$ .
2. Specifications subject to change or withdrawal without notice.