

ITEM	PART#	DESCRIPTION	QTY	UOM
A, B	22013057	100KKTermHsgW/LRamp W/PoR 5Ckt 2695-05RP	2	PC
C	8500113	KK 100 Crp Term Std 22-30 Awg Tin	10	PC
D	--	PAPER PRINTED PAPER WHITE	1	PC

FROM	TO	DESCRIPTION	COLOR
A1	B5	1X22AWG DISC MPPE BK UL11028	BLACK
A2	B4	1X22AWG DISC MPPE BK UL11028	BLACK
A3	B3	1X22AWG DISC MPPE BK UL11028	BLACK
A4	B2	1X22AWG DISC MPPE BK UL11028	BLACK
A5	B1	1X22AWG DISC MPPE BK UL11028	BLACK

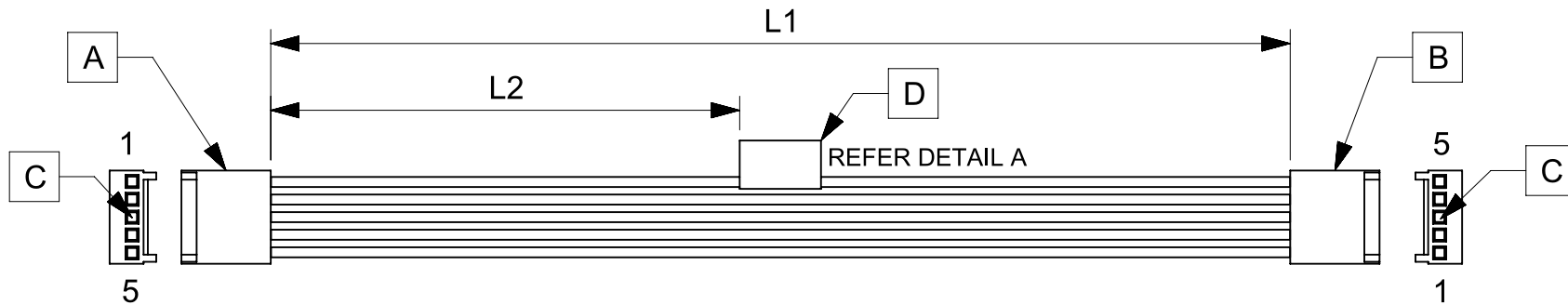


TABLE			
PART NUMBER	L1	L2	TITLE
2177961051	150±8	63 REF	KK 2.54 SR R-R 5CKT 150MM DISC Sn
2177961052	300±10	138 REF	KK 2.54 SR R-R 5CKT 300MM DISC Sn
2177961053	600±10	288 REF	KK 2.54 SR R-R 5CKT 600MM DISC Sn

- NOTES**
- Cable assembly must pass 100% for continuity and polarity.
 - Connector view shown is from mating side.
 - Label text must be 2mm max. in height with Arial font.
 - Label must be wrapped in Flag type on a single cable.

MOLEX P/N
MOLEX
BATCH WK/YR
DETAIL A

REVISION			
DATE	REV	DESCRIPTION	CHANGER
11/01/2021	A	INITIAL RELEASE	ARAJU

FUNCTIONAL SYMBOLS $\frac{F}{A} = 0$ $\frac{F}{E} = 0$ $\frac{F}{P} = 0$ DIVISIONAL SYMBOLS	THIS DRAWING CONTAINS INFORMATION THAT IS PROPRIETARY TO MOLEX ELECTRONIC TECHNOLOGIES, LLC AND SHOULD NOT BE USED WITHOUT WRITTEN PERMISSION		CURRENT REV DESC:		
	DIMENSION UNITS: mm SCALE: NTS	GENERAL TOLERANCES (UNLESS SPECIFIED) ANGULAR TOL ± ° 4 PLACES ± 3 PLACES ± 2 PLACES ± 1 PLACE ± 0 PLACES ±			EC NO: 652805 DRWN: ARAJU 2021/01/09 CHK'D: RDESAI01 2021/01/11 APPR: RDESAI01 2021/01/11
	DRAFT WHERE APPLICABLE MUST REMAIN WITHIN DIMENSIONS		THIRD ANGLE PROJECTION	DRAWING: A4-SIZE SERIES: 217796	INITIAL REVISION: DRWN: ARAJU 2021/01/09 APPR: RDESAI01 2021/01/11
	PRODUCT CUSTOMER DRAWING		DOCUMENT NUMBER: 2177961051 DOC TYPE: PSD DOC PART: 000 REVISION: A	MATERIAL NUMBER: SEE TABLE CUSTOMER: GENERAL MARKET SHEET NUMBER: 1 OF 1	

RELEASE STATUS	P1	RELEASE DATE	2021/01/11	10:46:53
----------------	----	--------------	------------	----------