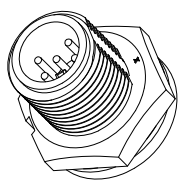
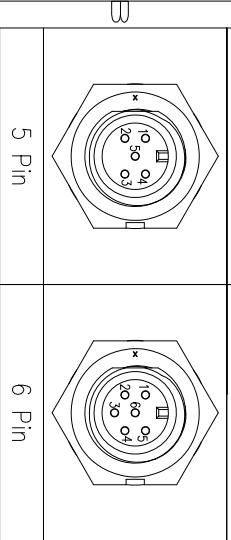
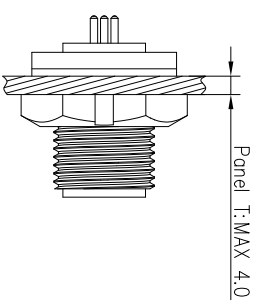
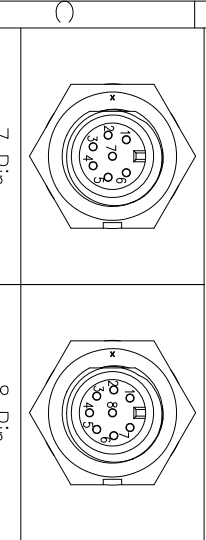
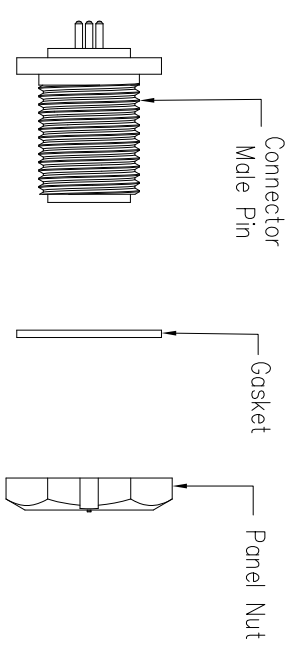
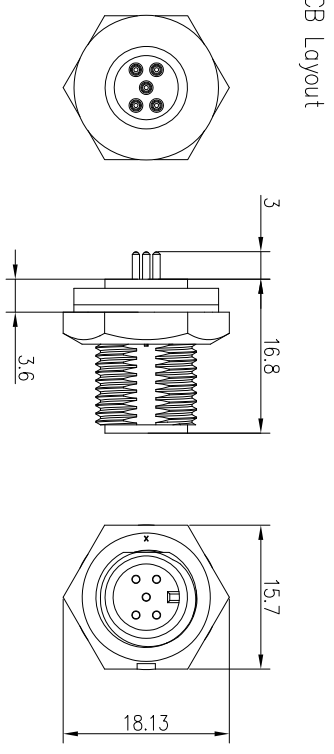
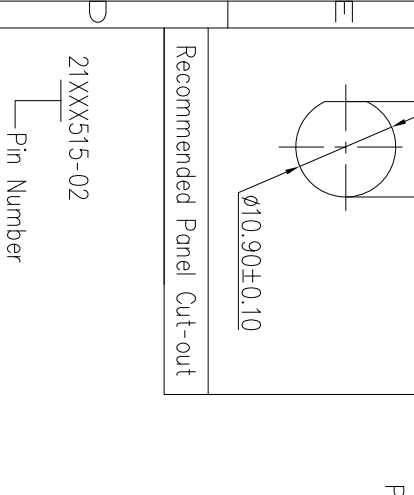
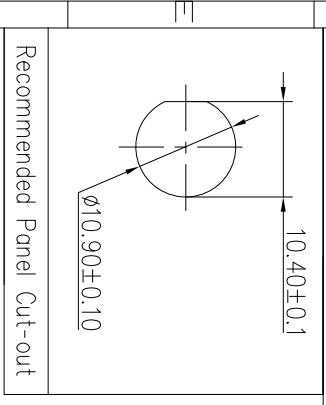


REV.	EN. NO.	DESCRIPTION	SIGN	DATE
C1	N/A	INITIAL DRAWING	Victory	2019/08/21

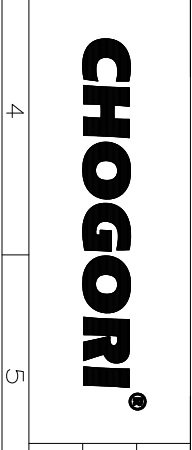


P/N: 21005515-02	P/N: 21006515-02
------------------	------------------

Pin Assignments Front View

PART NO	21XXX515-02	DRAWN BY	Victory	DATE	2019/08/21
DWG NO		CHECKED BY	Ivon	DATE	2019/08/21
CUSTOMER		APPROVED BY	Ponson	DATE	2019/08/21

UNIT: mm	DESCRIPTION	Mini Series Screw Type
TOLERANCE	Front Mount With Male Pin(PCB)	
.X	SCALE	4:5
.XX	REV	C1
.XXX	SIZE	A4
ANGLES	SHEET	1 OF 1
±0.25	* : Inspection Item	
±0.15		
±0.05		
±1°		



--	--	--	--	--	--