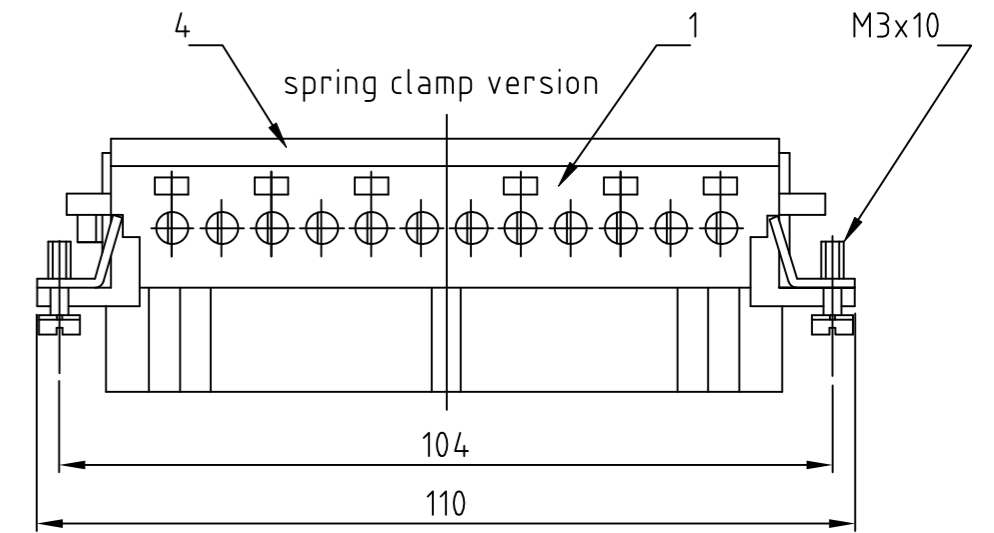
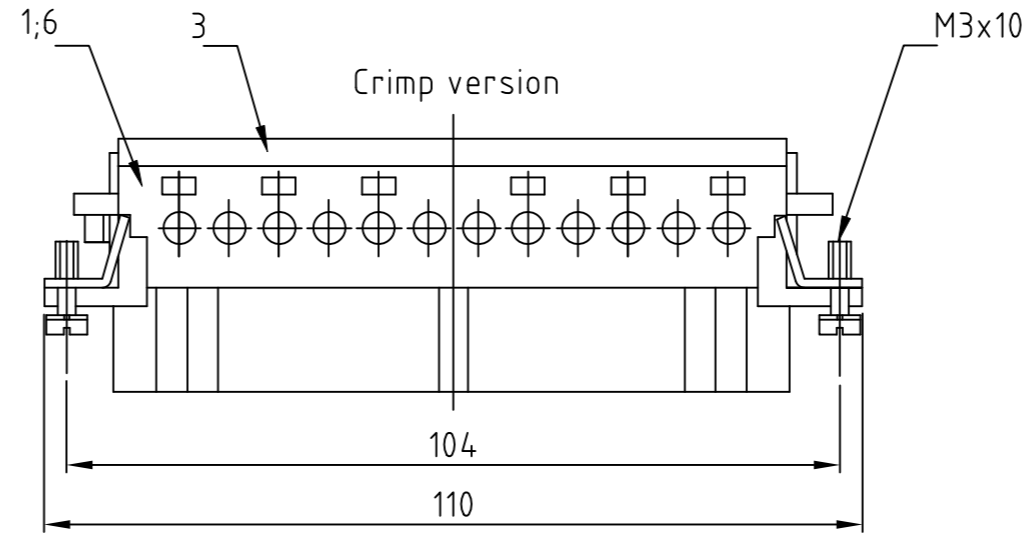
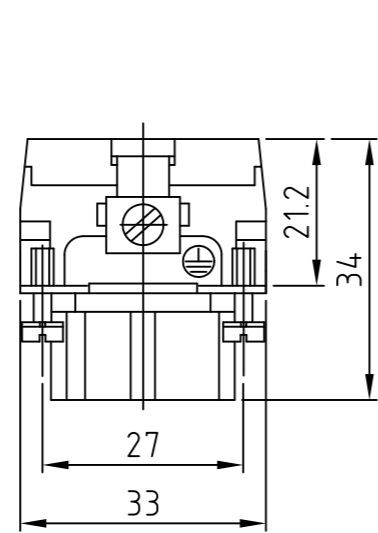
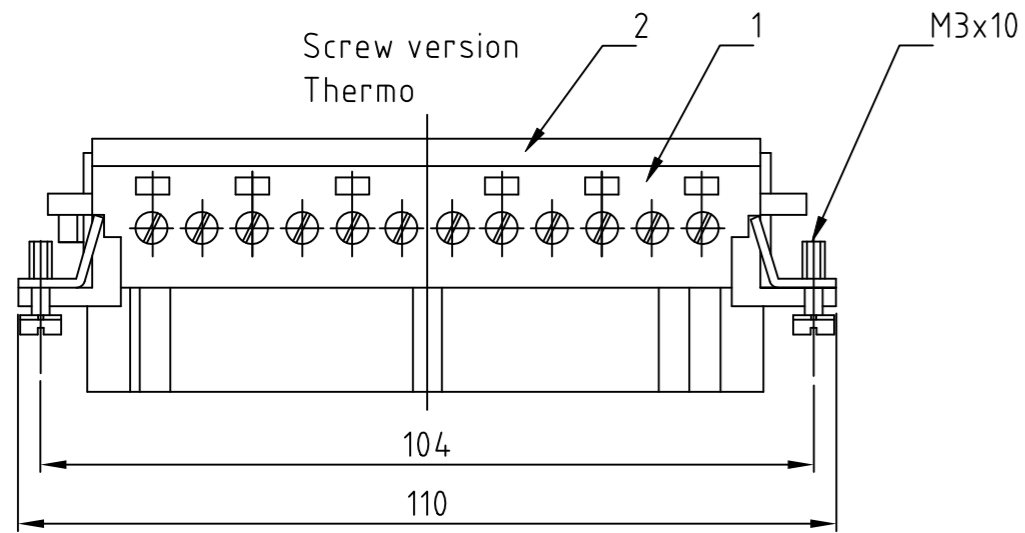


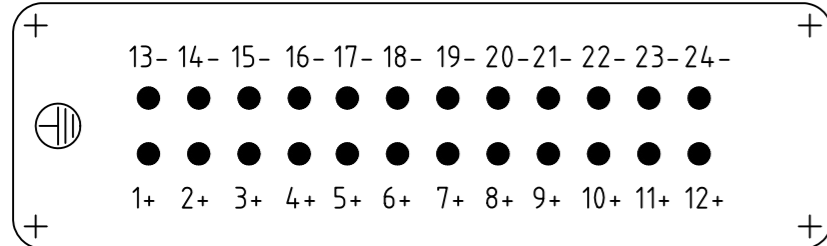
THIS DRAWING IS UNPUBLISHED. RELEASED FOR PUBLICATION. ALL RIGHTS RESERVED.

REVISIONS					
P	LTR	DESCRIPTION	DATE	DWN	APVD
	E4	ECR-17-009069	12FEB2018	SG	MKO



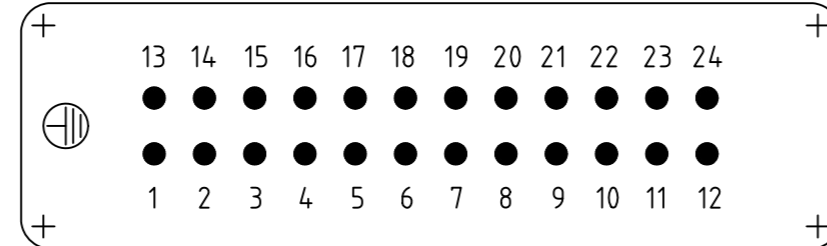
Contact arrangement view from termination side

Printing 1-24 Thermo

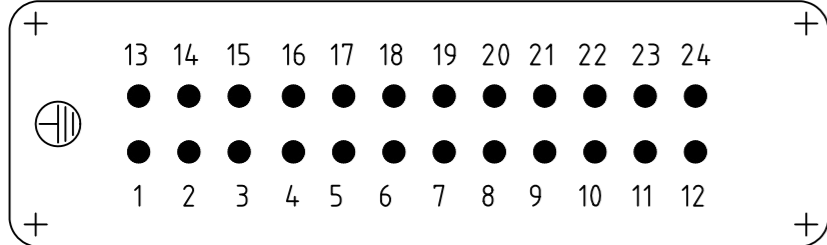


Contact arrangement view from termination side

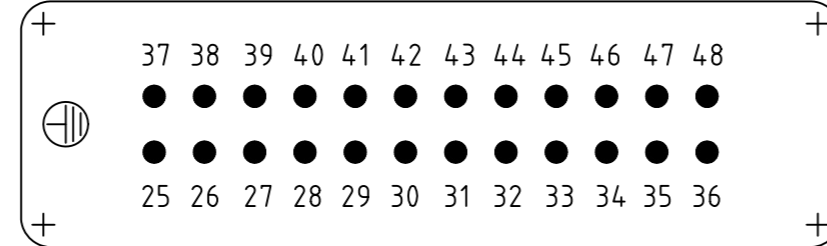
Printing 1-24



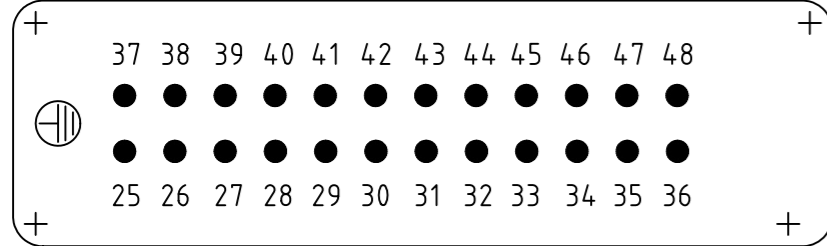
Printing 1-24 Screw



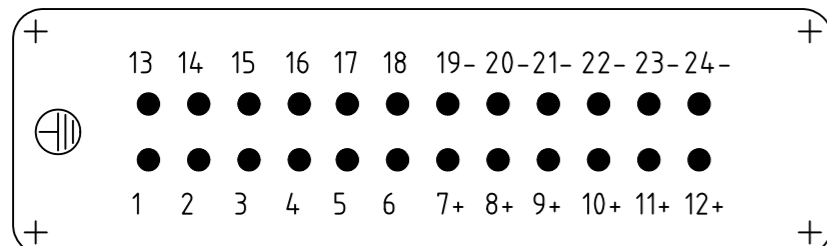
Printing 25-48



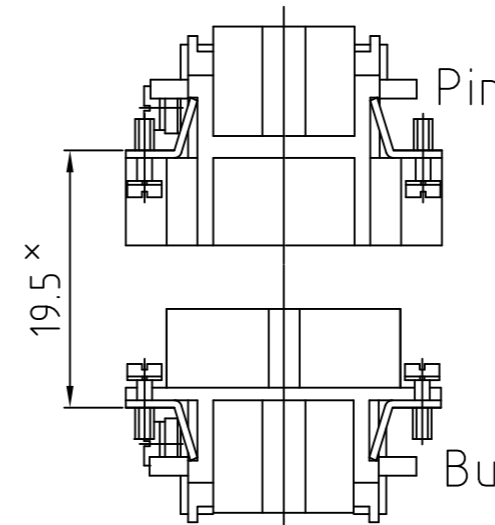
Printing 25-48 Screw



Printing 12+6+6 Screw/Thermo



assembly directions

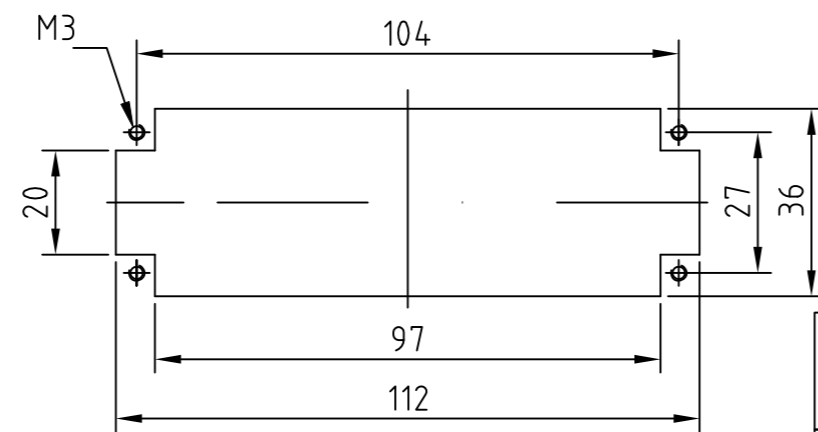


x distance for a safe contact max: max: 21 mm

NOTES:

- 1 SUITABLE CRIMP CONTACTS: SERIES HE/HA OUTER DIMENSIONS OF INSULATION: MAX. Ø3,2 MM
- 2 SUITABLE HOOD SIZE 8; 12: SERIES HB; HD; HIP; EMV SUITABLE INSERTION AND EXTRACTION TOOL: SCREWDRIVER 0,5x3 DIN 5264
- 3 Strip lenght: Screw conection 10mm Spring clamp conection 10mm Crimp conection 7.5mm
- 4 STANDARDS: DIN EN 61984; DIN EN 60664-1
- 5 PACKAGING: 5 SETS IN A CARTON, PRE-MOUNTED
- 6 SPECIAL PACKAGING: Krauss-Maffei PACKAGING UNIT: 220 PIECES

Panel cut-out for contact insert when used without housing



HE-24-BU-S-B1-24-KM	OBSELETE	1	Socket contact	light grey	5	earth wire contact with drillings Ø3,3 / without fixing screws
HE-24-BU-C-3-B1-24	OBSELETE	1	Deckel Federklemmversion	light grey	4	
HE-24-BU-S-AU-B1-24	OBSELETE	1	Crimp Crimp version	light grey	3	
HE-24-BU-S-AU-B25-48	OBSELETE	1	Cover screw version	light grey	2	
HE-24-BU-S-AU-B1-24	OBSELETE	1	Buchseinsatz	light grey	1	
HE-24-BU-S-C-B-25-48	SUPERSEDED BY T2040243201-000	1				
HE-24-BU-S-C-B1-24	SUPERSEDED BY T2040483201-000	1				
HE-24-BU-C-B-25-48		1				
HE-24-BU-C-B1-24		1				
HE-24-BU-S-B-25-48		1				
HE-24-BU-S-B1-24		1				

DESCRIPTION / BENENNUNG	MATERIAL	COLOR / FARBE	ITEM NO. POS.
Socket contact		light grey	5
Deckel Federklemmversion		light grey	4
Crimp Crimp version		light grey	3
Cover screw version		light grey	2
Buchseinsatz		light grey	1

THIS DRAWING IS A CONTROLLED DOCUMENT.		DWN Schneider 08.02.2000		TE Connectivity
		CHK Schweiger 08.02.2000		
DIMENSIONS: mm		NAME		
TOLERANCES UNLESS OTHERWISE SPECIFIED:		Female insert HE.24.BU.S/C		
0 PLC	±0.1	PRODUCT SPEC		
1 PLC	±0.05	APPLICATION SPEC		
2 PLC	±0.02	WEIGHT		
3 PLC	±0.01	SCALE 1:1		
4 PLC	±0.005	SHEET 1 of 1		
ANGLES	±0.1	REV E4		