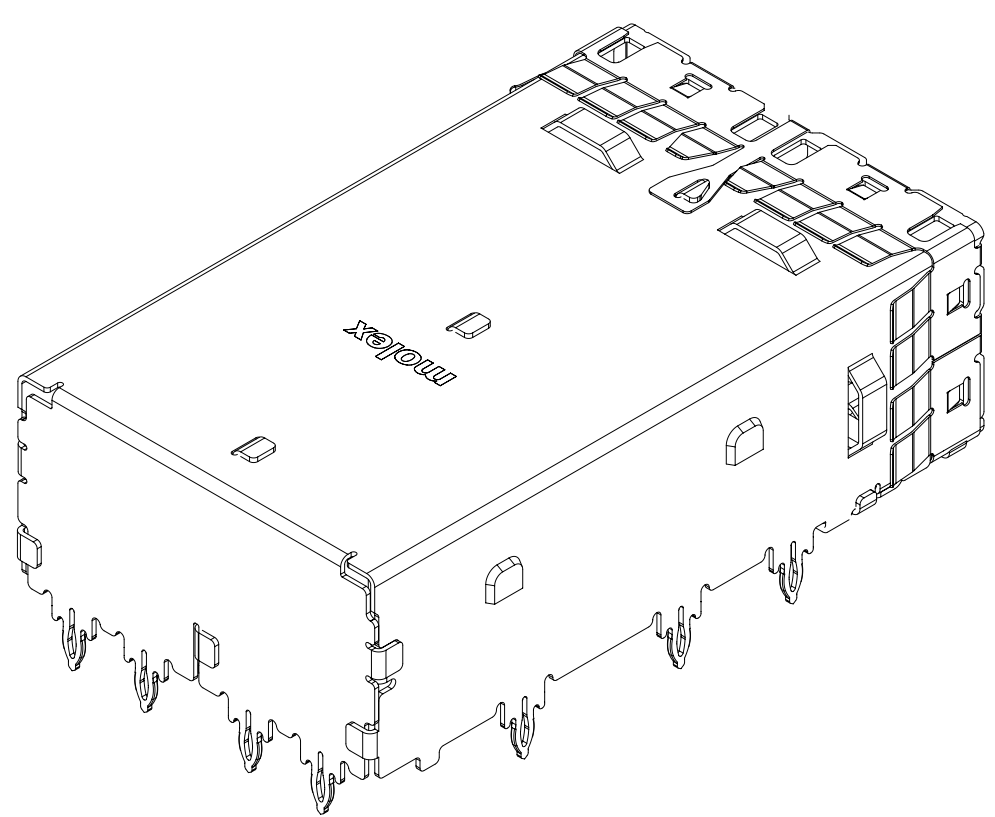
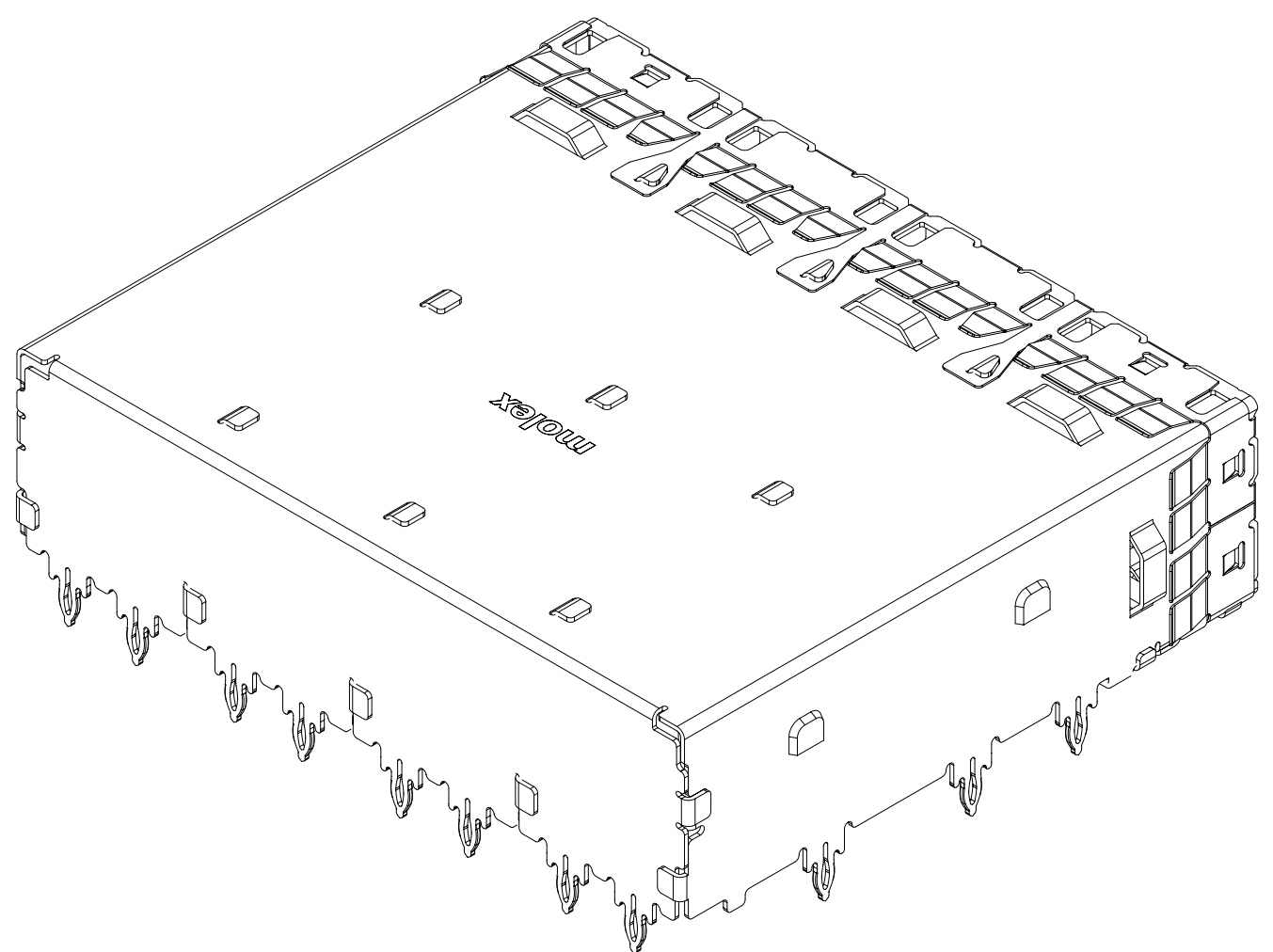


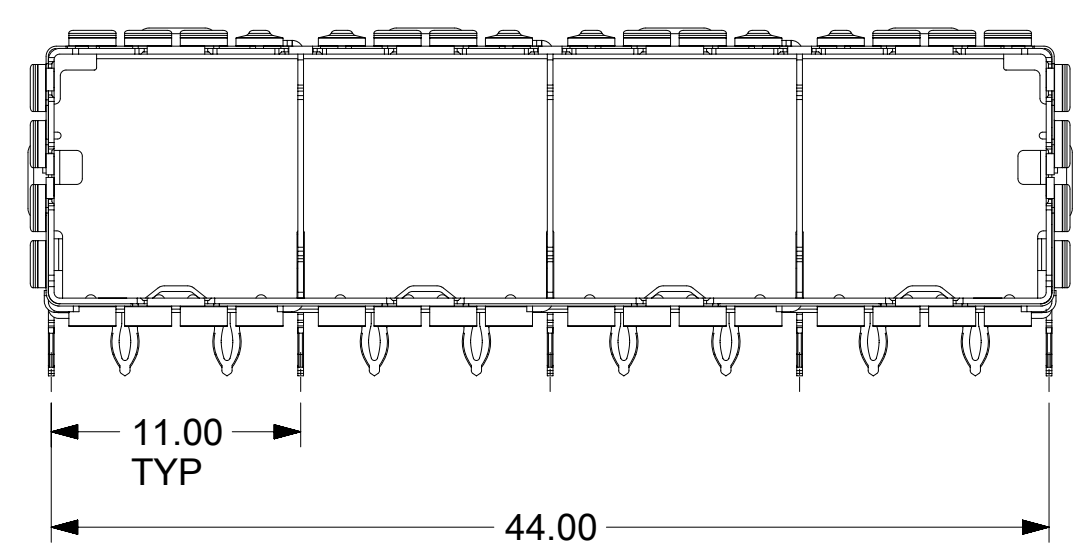
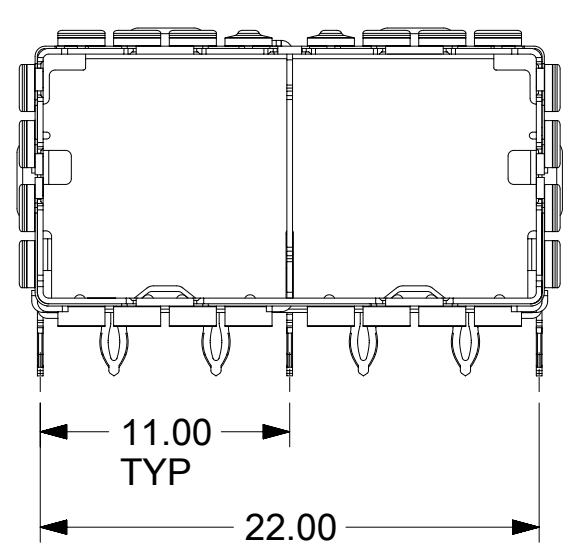
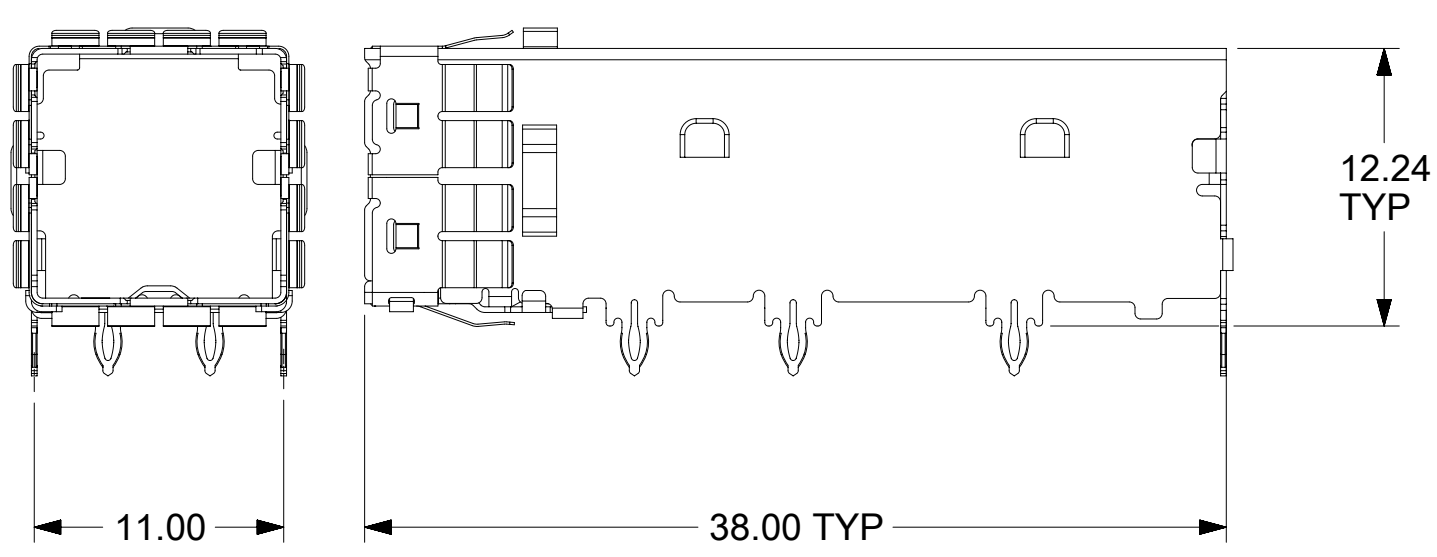
1X1



1X2



1X4



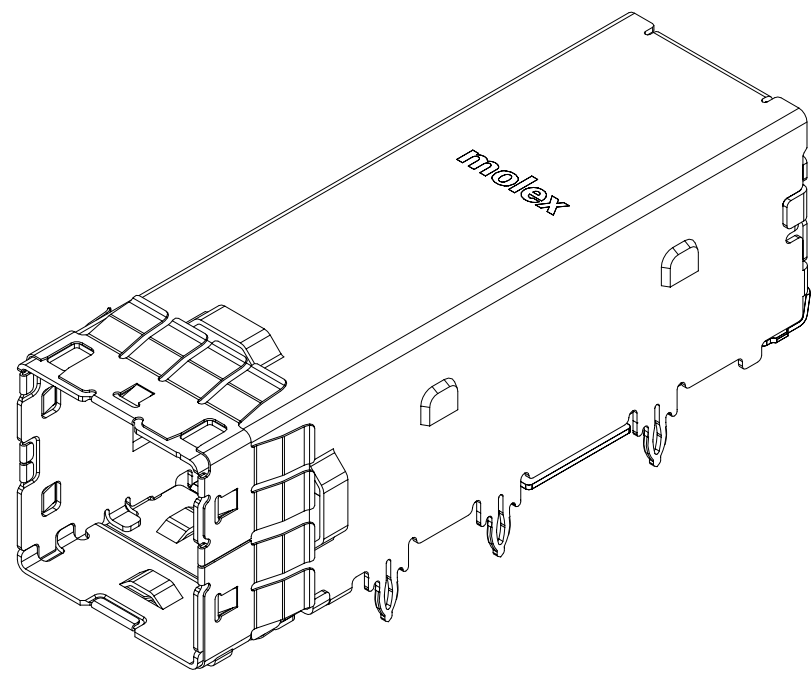
- NOTES:
- MATERIALS:
EMI CAGE: STAINLESS STEEL
EMI FINGERS: COPPER ALLOY
 - FINISHES:
EMI FINGERS: 0.50µM MIN NICKEL
 - FOR FOOTPRINT AND ASSEMBLY INFORMATION REFER TO SALES DRAWING: PDD 1724731111
 - MOUNTING INFORMATION REFER TO APPLICATION SPECIFICATION 1724730001
 - PACKAGING SPECIFICATION: PDD 1724738000
 - THIS PART CONFORMS TO CLASS C REQUIREMENTS OF MOLEX COSMETIC SPECIFICATION PS-45499-002

CONFIGURATION	MATERIAL NUMBER
1X1	1724735001
1X2	1724735002
1X4	1724735004

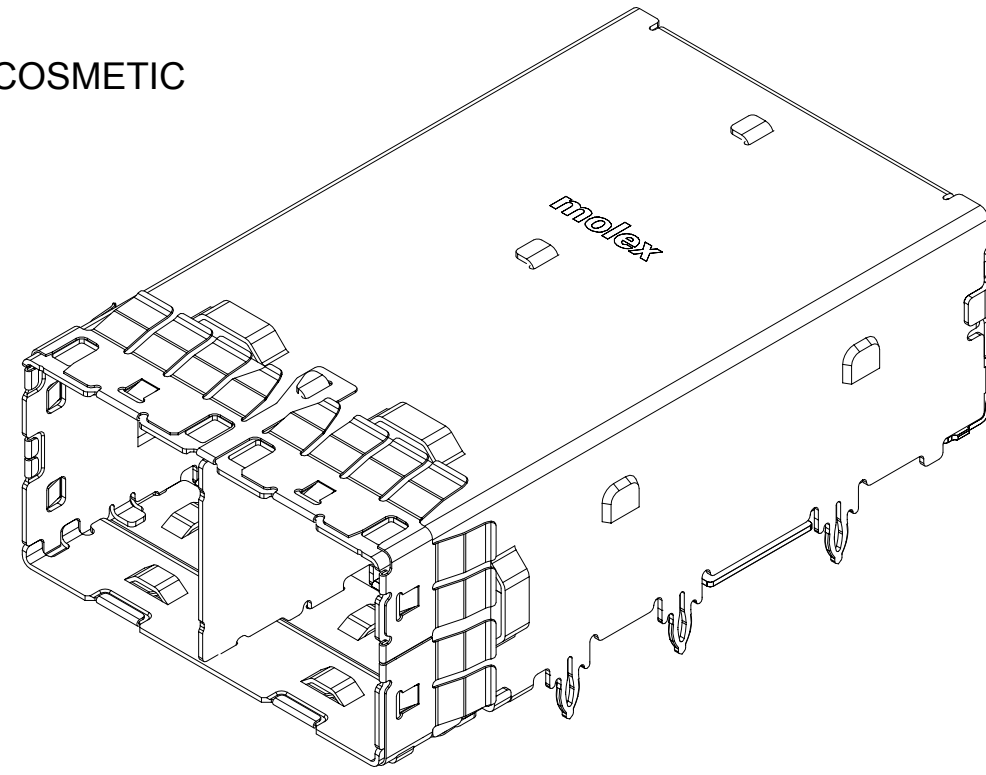
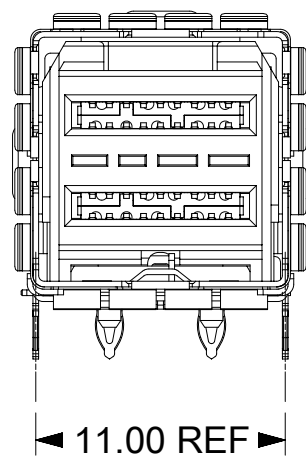
THIS DRAWING CONTAINS INFORMATION THAT IS PROPRIETARY TO MOLEX ELECTRONIC TECHNOLOGIES, LLC AND SHOULD NOT BE USED WITHOUT WRITTEN PERMISSION									
SYMBOLS		DIMENSION UNITS		SCALE		CURRENT REV DESC:			
▽ = 0	= 0	mm	3:1			EC NO: 178504			
▽ = 0	= 0	GENERAL TOLERANCES (UNLESS SPECIFIED)				DRWN: AKOLAK 2018/06/28			
▽ = 0	= 0	ANGULAR TOL ± 1.0°				CHK'D: TMCLELLAND 2018/06/28			
▽ = 0	= 0	4 PLACES ±				APPR: TMCLELLAND 2018/06/28			
▽ = 0	= 0	3 PLACES ± 0.1				INITIAL REVISION:			
▽ = 0	= 0	2 PLACES ± 0.15				DRWN: AKOLAK 2018/04/10			
▽ = 0	= 0	1 PLACE ± 0.25				APPR: TMCLELLAND 2018/06/27			
▽ = 0	= 0	0 PLACES ±				THIRD ANGLE PROJECTION		DRAWING SERIES	
▽ = 0	= 0	DRAFT WHERE APPLICABLE MUST REMAIN WITHIN DIMENSIONS				C-SIZE		172473	

molex			
IPASS ZHD RA SMT EXTERNAL CAGE SD			
PRODUCT CUSTOMER DRAWING			
DOCUMENT NUMBER		DOC TYPE	DOC PART
1724730012		PSD	000
		REVISION	A1
MATERIAL NUMBER		CUSTOMER	
SEE TABLE		GENERAL MARKET	
		SHEET NUMBER	
		1 OF 1	

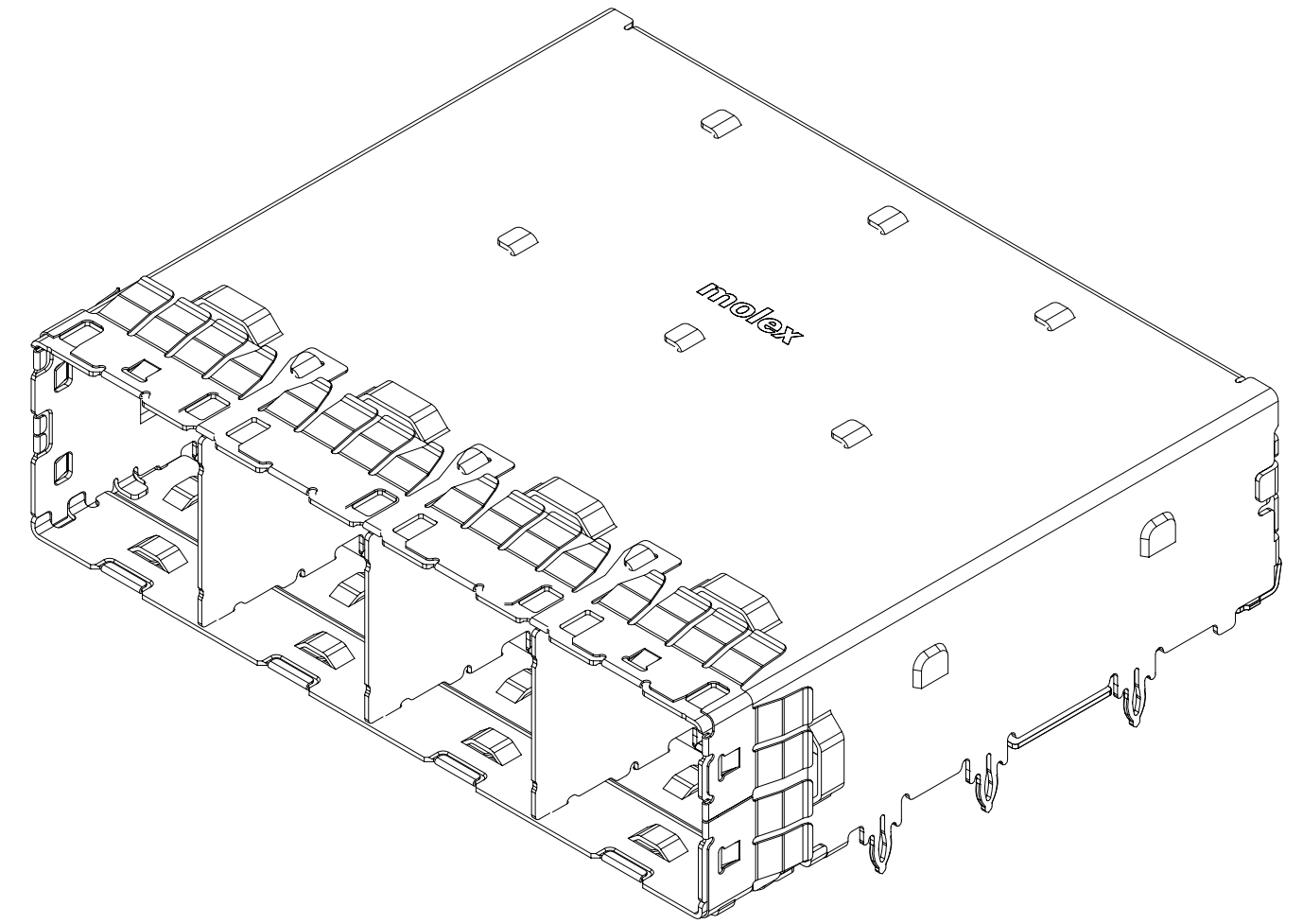
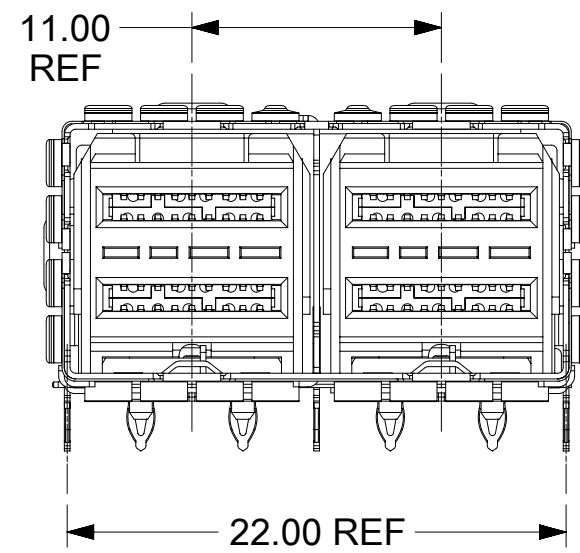
- NOTES:
1. FOR 2 PEG CONNECTOR DETAILS REFER TO SALES DRAWING: PSD 1724730011
 2. FOR 3 PEG CONNECTOR DETAILS REFER TO SALES DRAWING: PSD 1724739995
 3. FOR CAGE DETAILS REFER TO SALES DRAWING: PSD 1724730012
 4. PRODUCT SPECIFICATION: 1724730011
 5. MOUNTING INFORMATION: REFER TO APPLICATION SPECIFICATION: 1724730001
 6. MATES WITH: MOLEX CABLE SERIES 111068, 111073, 111074, & 111075
 7. PLUG MODULE PCB LAYOUT REFER TO SD-76866-9900
 8. THIS PART CONFORMS TO CLASS C REQUIREMENTS OF MOLEX COSMETIC SPECIFICATION PS-45499-002



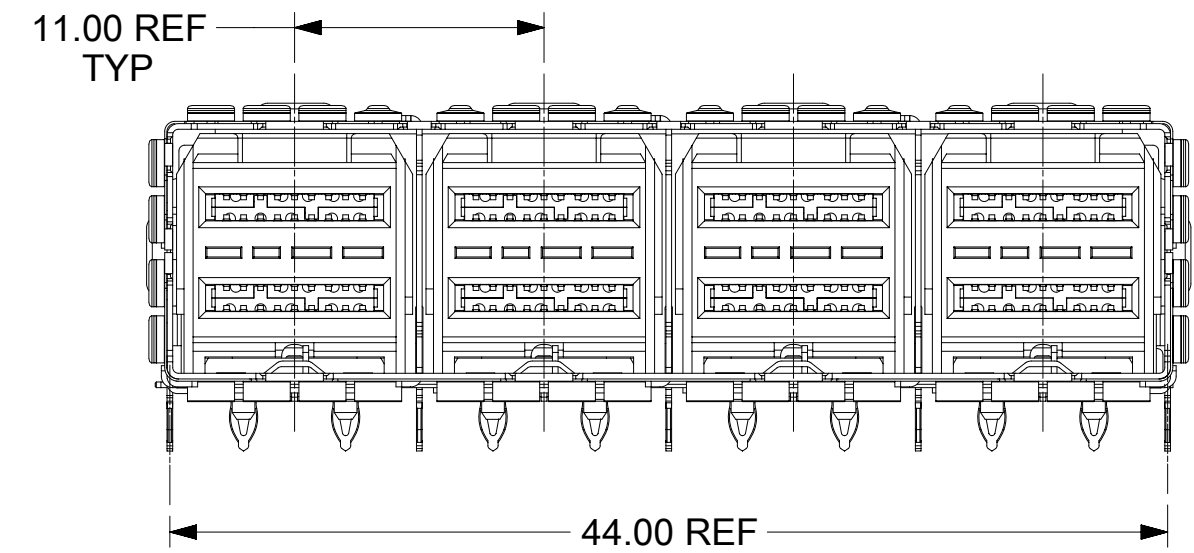
1 X 1



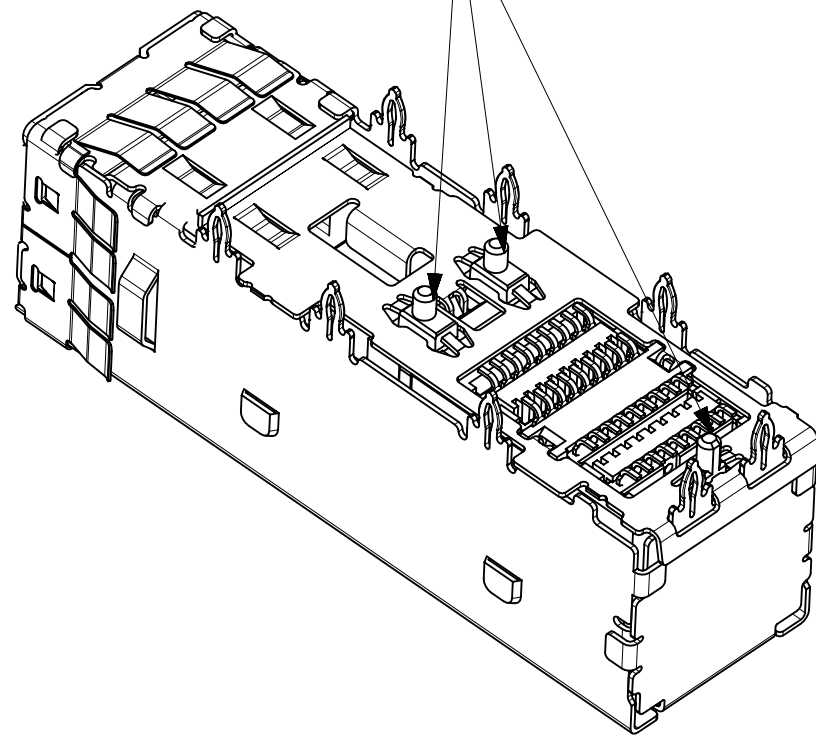
1 X 2



1 X 4

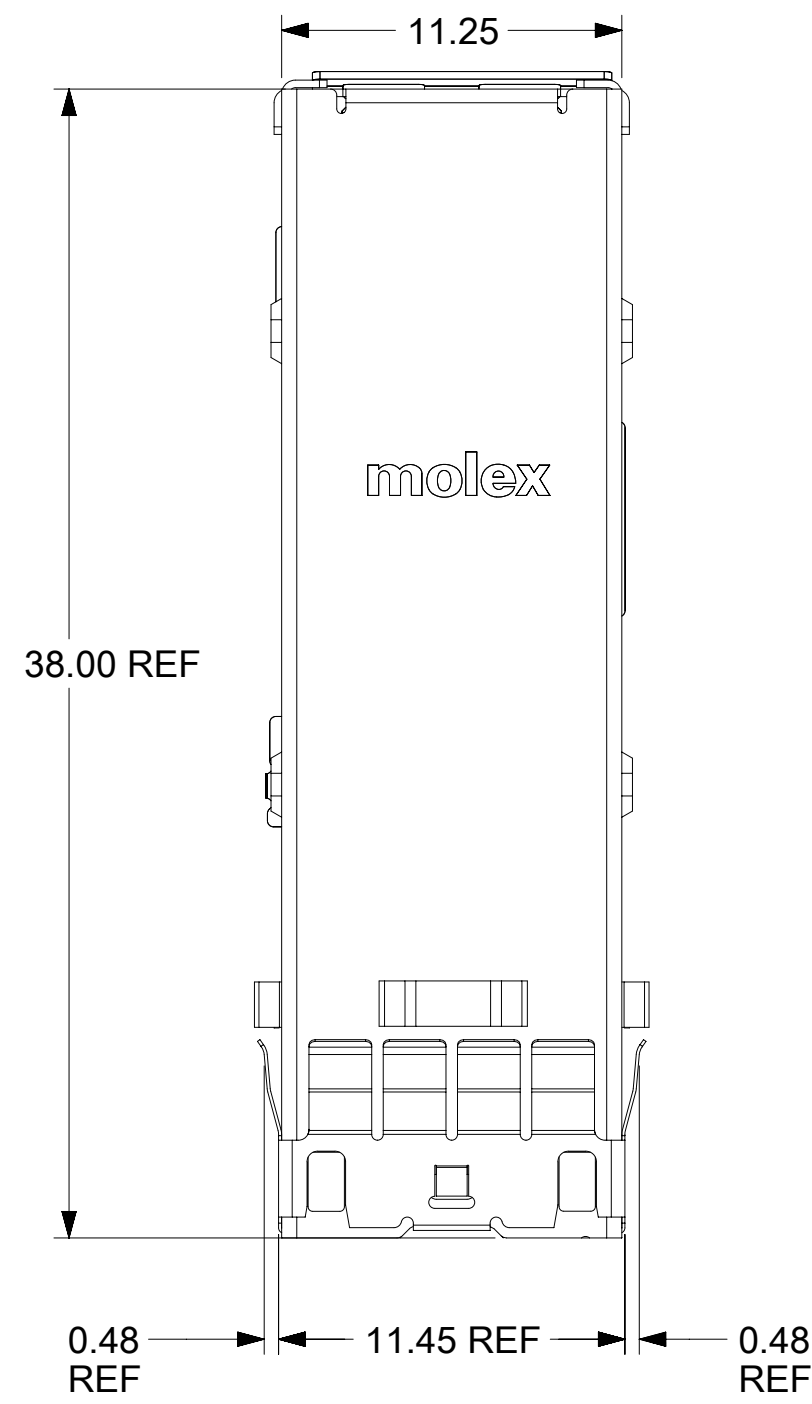


1724739995 CONNECTOR WITH 3 PEG

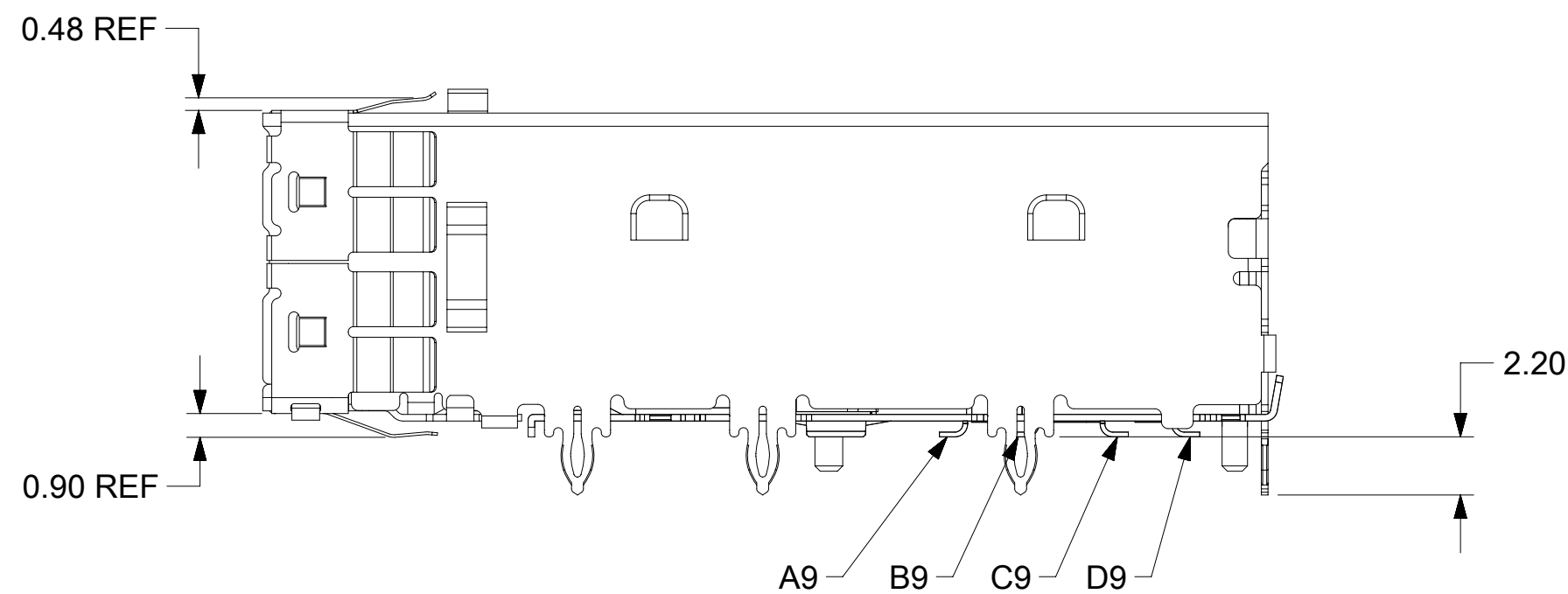
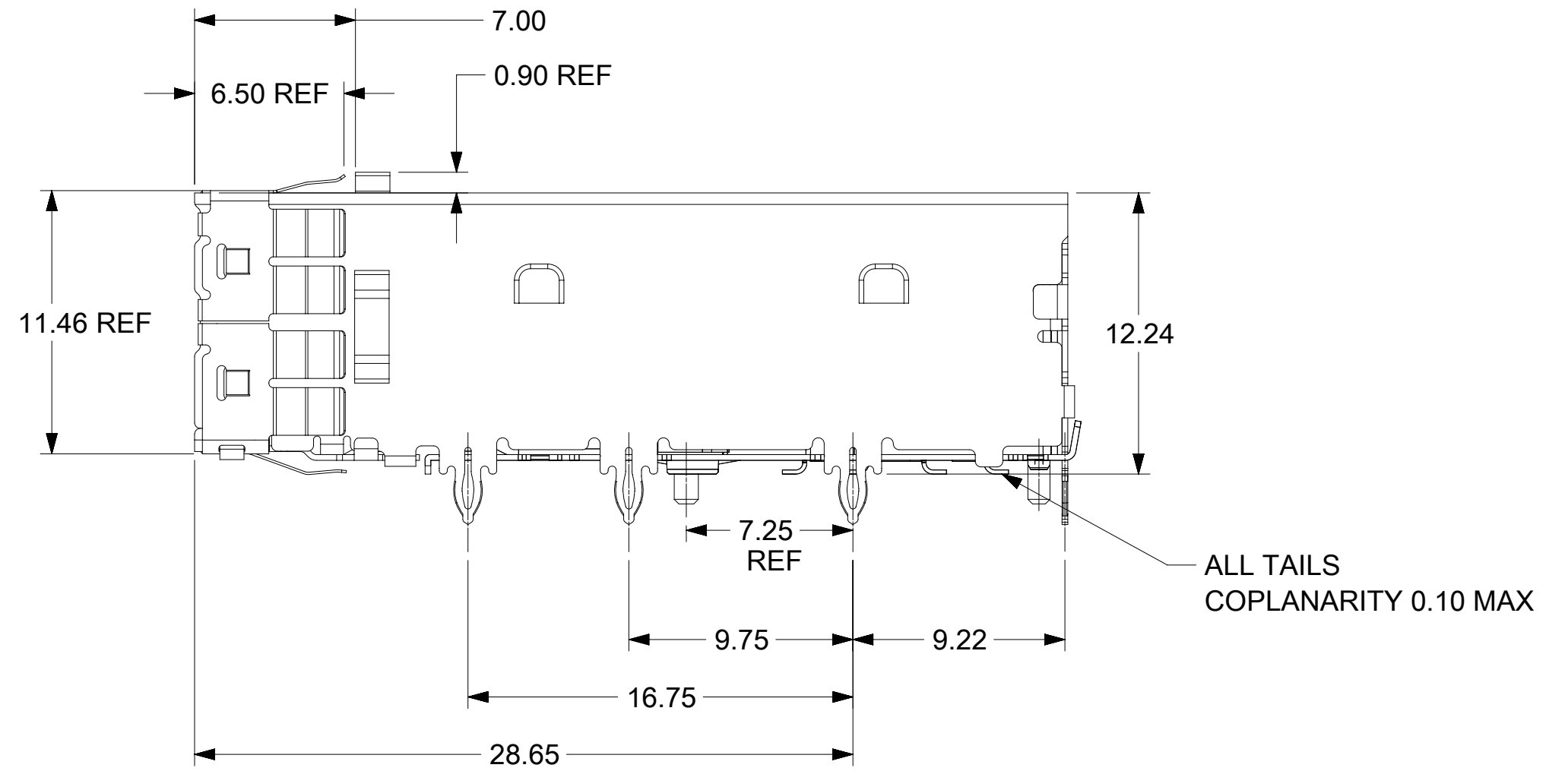
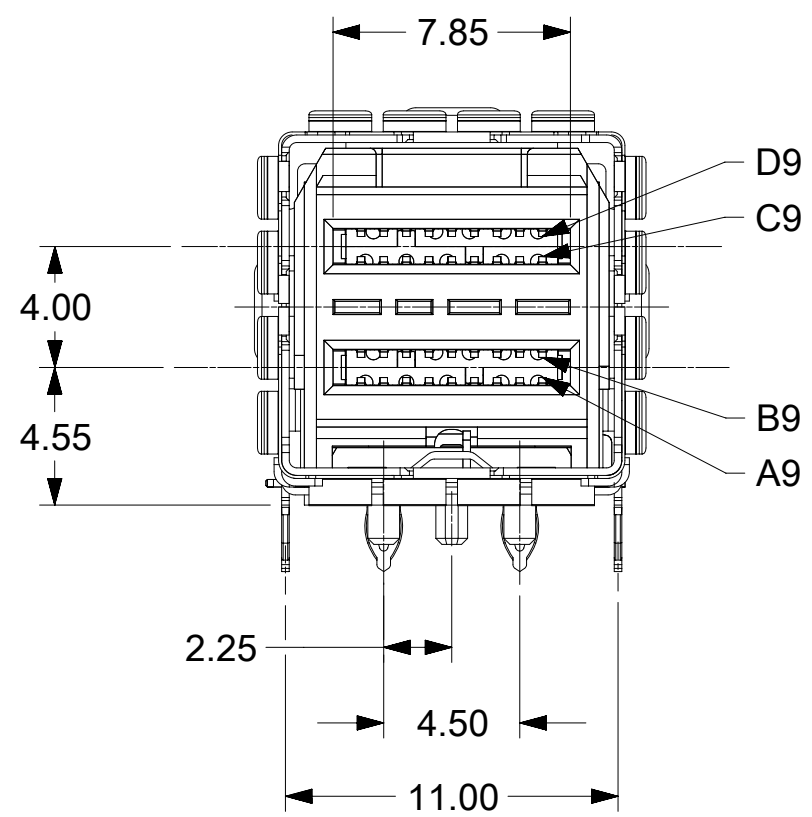


CONFIGURATION	MATERIAL NUMBER	
	CAGE	CONNECTOR WITH 3 PEG
1 x 1	1724735001	1724739995 (1X)
1 x 2	1724735002	1724739995 (2X)
1 x 4	1724735004	1724739995 (4X)

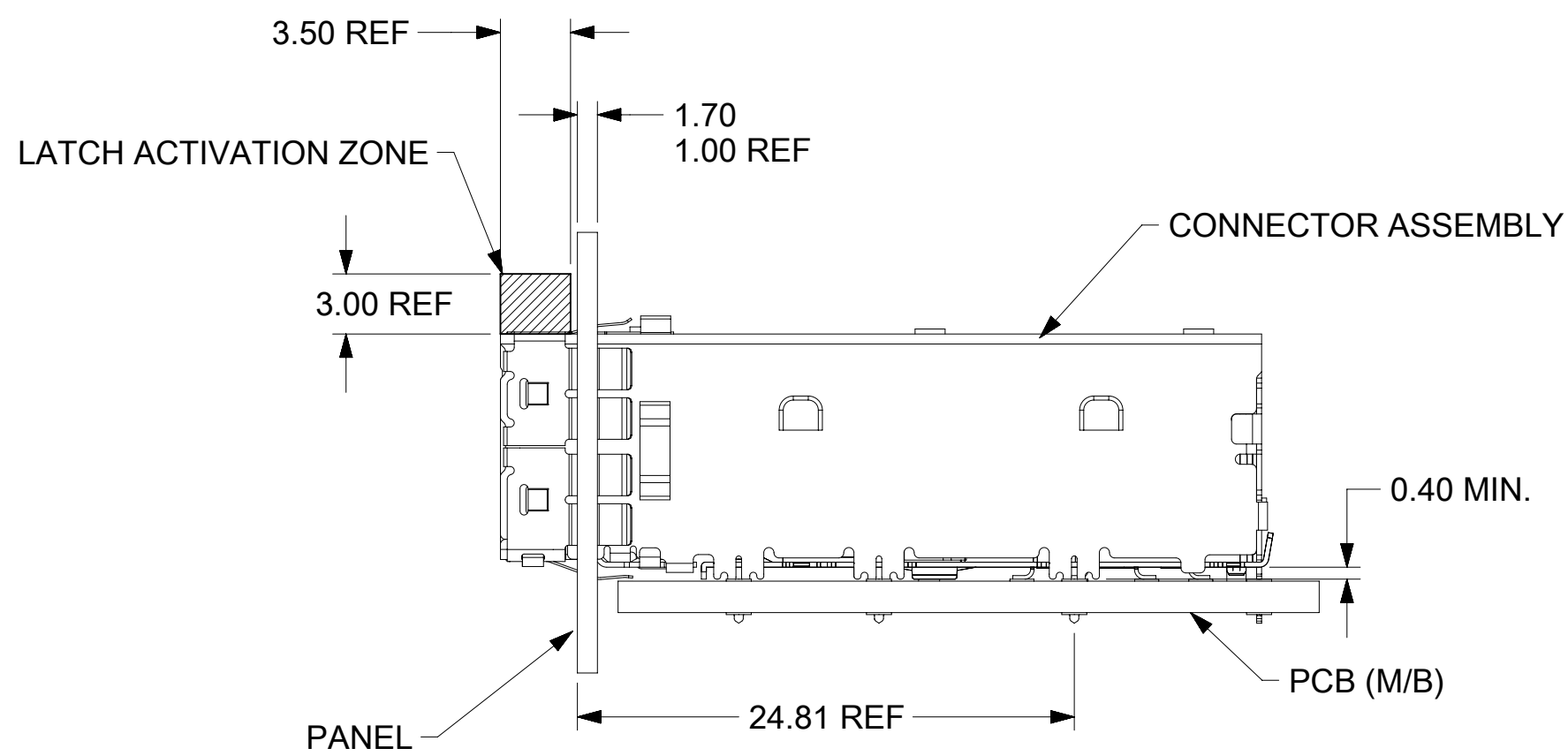
FUNCTIONAL SYMBOLS $\nabla_A = 0$ $\nabla_C = 0$ $\nabla_P = 0$ DIVISIONAL SYMBOLS	THIS DRAWING CONTAINS INFORMATION THAT IS PROPRIETARY TO MOLEX ELECTRONIC TECHNOLOGIES, LLC AND SHOULD NOT BE USED WITHOUT WRITTEN PERMISSION		CURRENT REV DESC:		
	DIMENSION UNITS	SCALE	EC NO: 733789		
	mm	3:1	DRWN: SUGEEB		
	GENERAL TOLERANCES (UNLESS SPECIFIED)		2023/01/03		
ANGULAR TOL ± °		CHK'D: GGA		2023/01/19	PRODUCT CUSTOMER DRAWING DOCUMENT NUMBER: 1724731111 DOC TYPE: PSD DOC PART: 001 REVISION: B6
4 PLACES ±		APPR: GGA		2023/01/19	
3 PLACES ± 0.1		INITIAL REVISION:		2017/11/10	MATERIAL NUMBER: SEE TABLE CUSTOMER: GENERAL MARKET SHEET NUMBER: 1 OF 5
2 PLACES ± 0.15		DRWN: AKOLAK		2018/06/27	
1 PLACE ± 0.25		APPR: TMCLELLAND		2018/06/27	
0 PLACES ±		THIRD ANGLE PROJECTION	DRAWING	SERIES	
DRAFT WHERE APPLICABLE MUST REMAIN WITHIN DIMENSIONS			C-SIZE	172473	



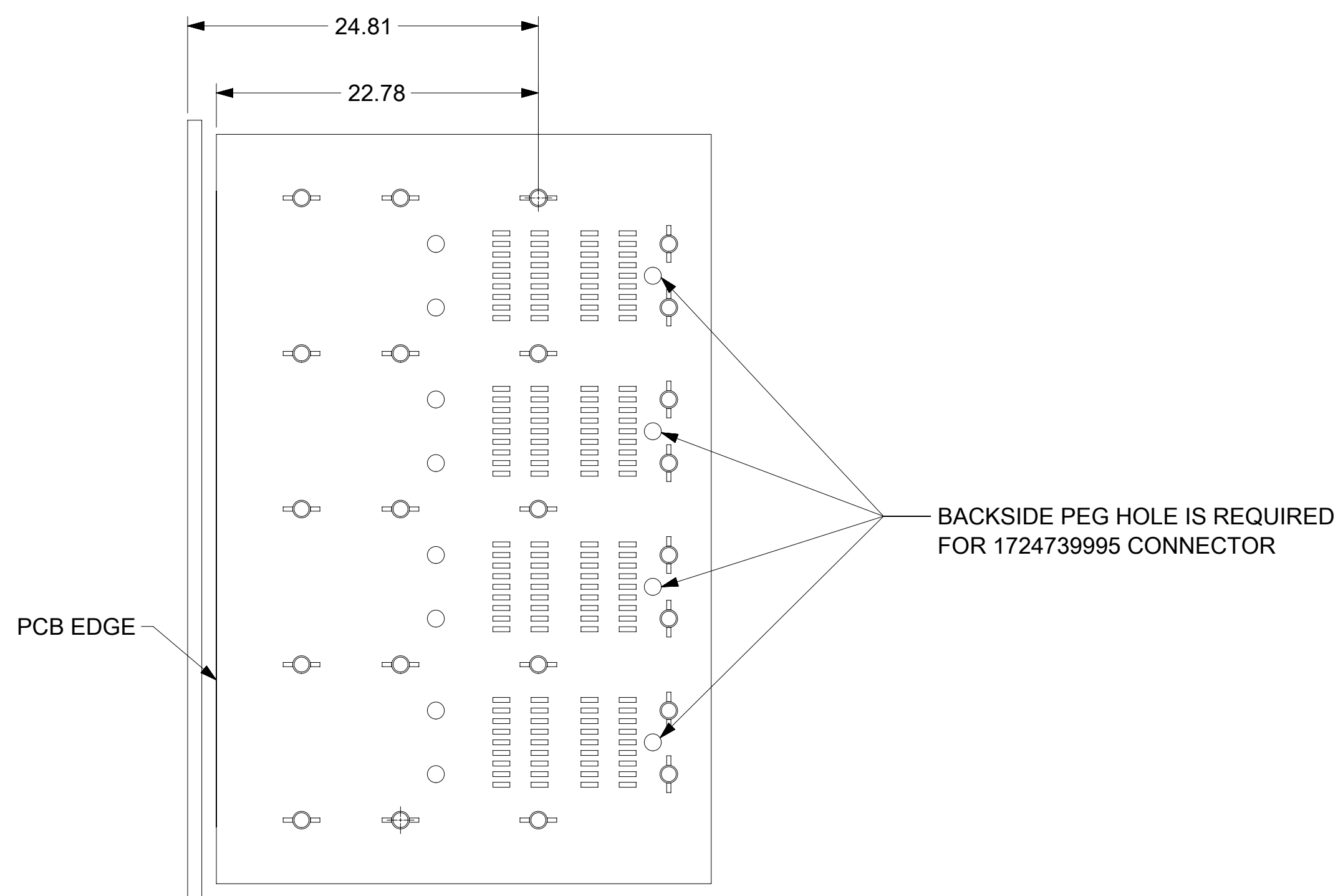
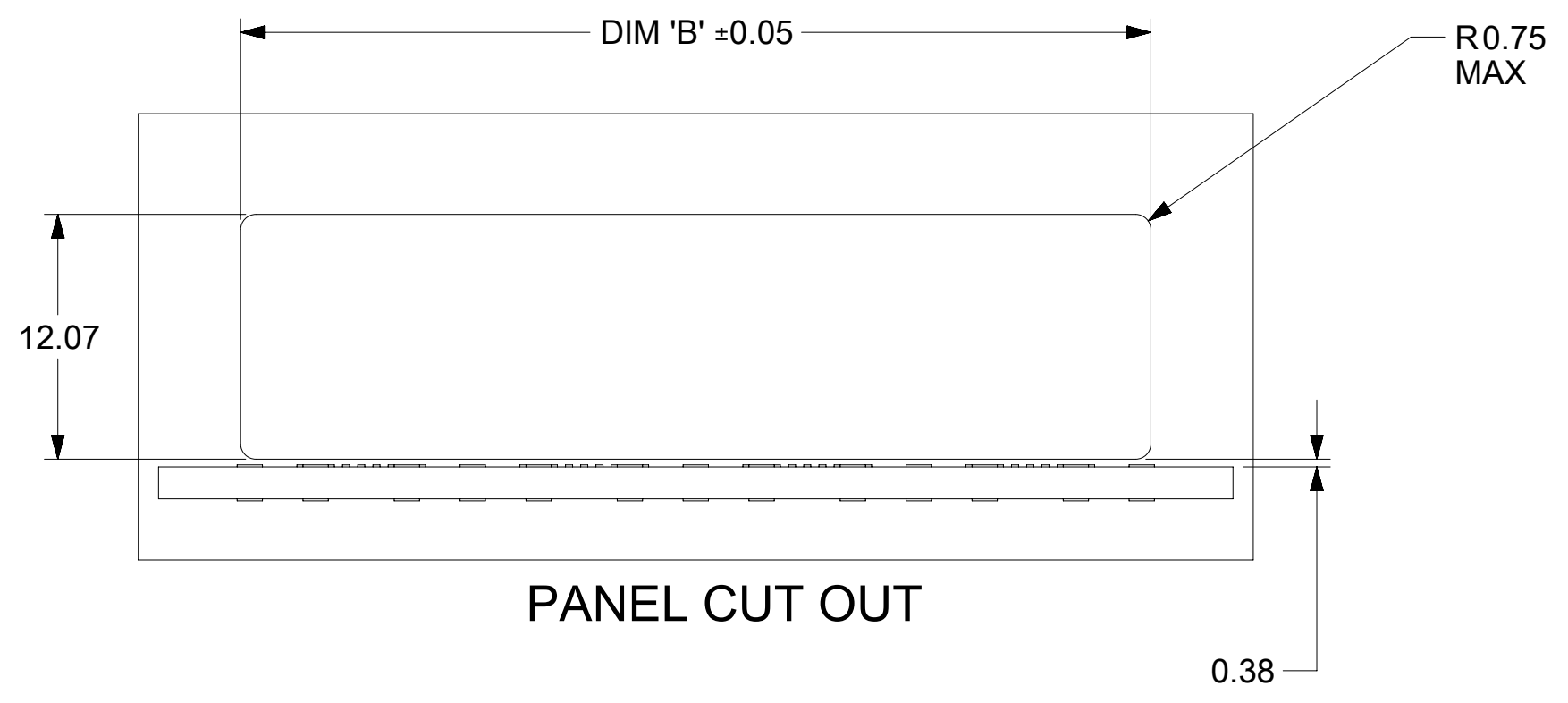
SHOWN 1X1 ASSEMBLY WITH 1724739995 CONNECTOR



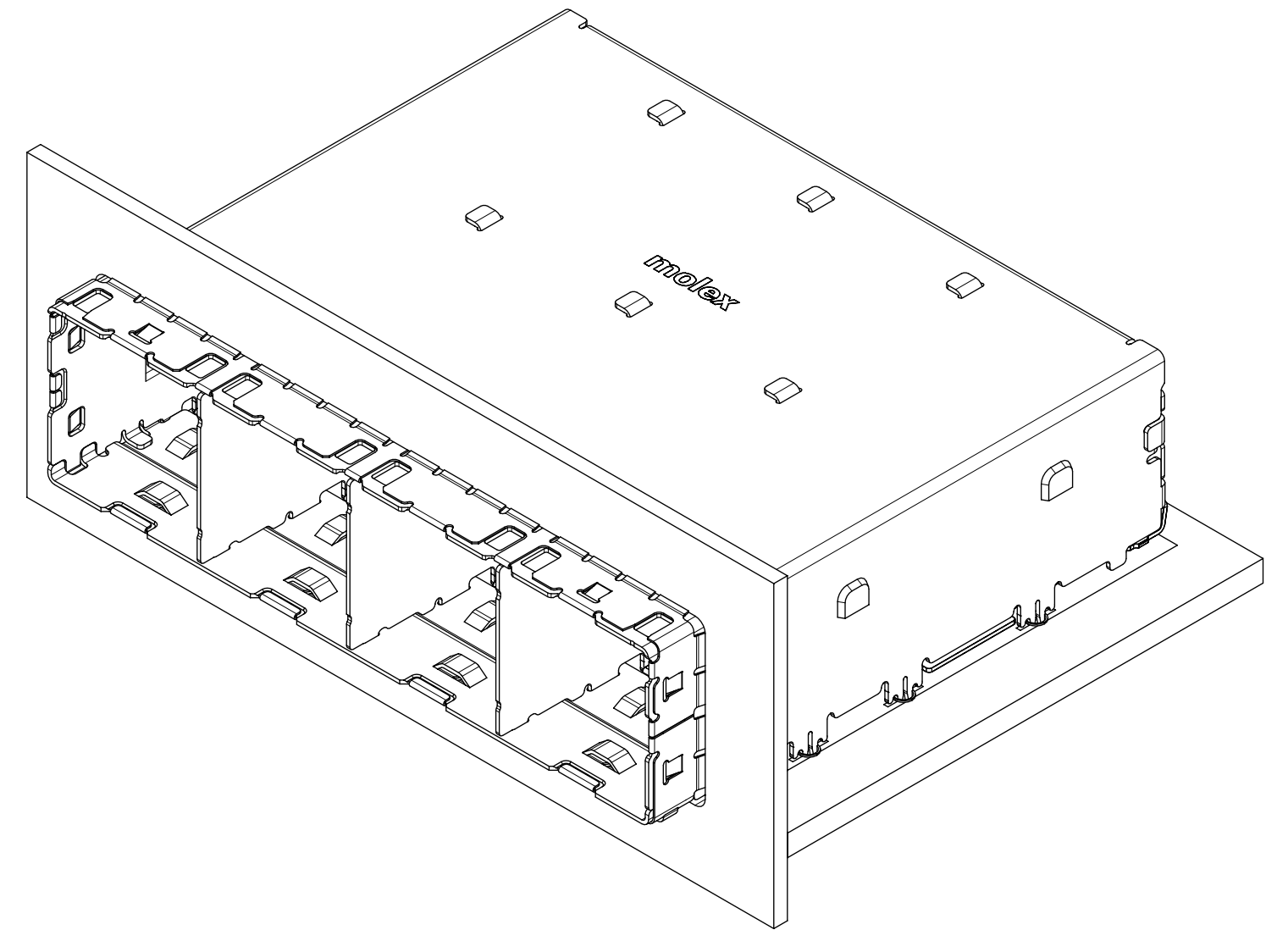
FUNCTIONAL SYMBOLS	THIS DRAWING CONTAINS INFORMATION THAT IS PROPRIETARY TO MOLEX ELECTRONIC TECHNOLOGIES, LLC AND SHOULD NOT BE USED WITHOUT WRITTEN PERMISSION		
	DIMENSION UNITS	SCALE	CURRENT REV DESC:
$\nabla_A = 0$	mm	4:1	EC NO: 733789 DRWN: SUGEEB CHK'D: GGA APPR: GGA
$\nabla_C = 0$	GENERAL TOLERANCES (UNLESS SPECIFIED)		
$\nabla_P = 0$	ANGULAR TOL ± °		2023/01/03
DIVISIONAL SYMBOLS	4 PLACES ±		2023/01/19
	3 PLACES ± 0.1		2023/01/19
	2 PLACES ± 0.15		2023/01/19
	1 PLACE ± 0.25		
0 PLACES ±			
DRAFT WHERE APPLICABLE MUST REMAIN WITHIN DIMENSIONS		THIRD ANGLE PROJECTION	DRAWING
			C-SIZE
		SERIES	172473
DOCUMENT STATUS		P1	RELEASE DATE
2023/01/19		04:51:45	
MATERIAL NUMBER		CUSTOMER	SHEET NUMBER
SEE TABLE		GENERAL MARKET	2 OF 5
DOCUMENT NUMBER		DOC TYPE	DOC PART
1724731111		PSD	001
INITIAL REVISION:		REVISION	B6
DRWN: AKOLAK		2017/11/10	
APPR: TMCLELLAND		2018/06/27	
molex			
IPASS RA SMT EXTERNAL SD			
PRODUCT CUSTOMER DRAWING			



ASSEMBLED VIEW



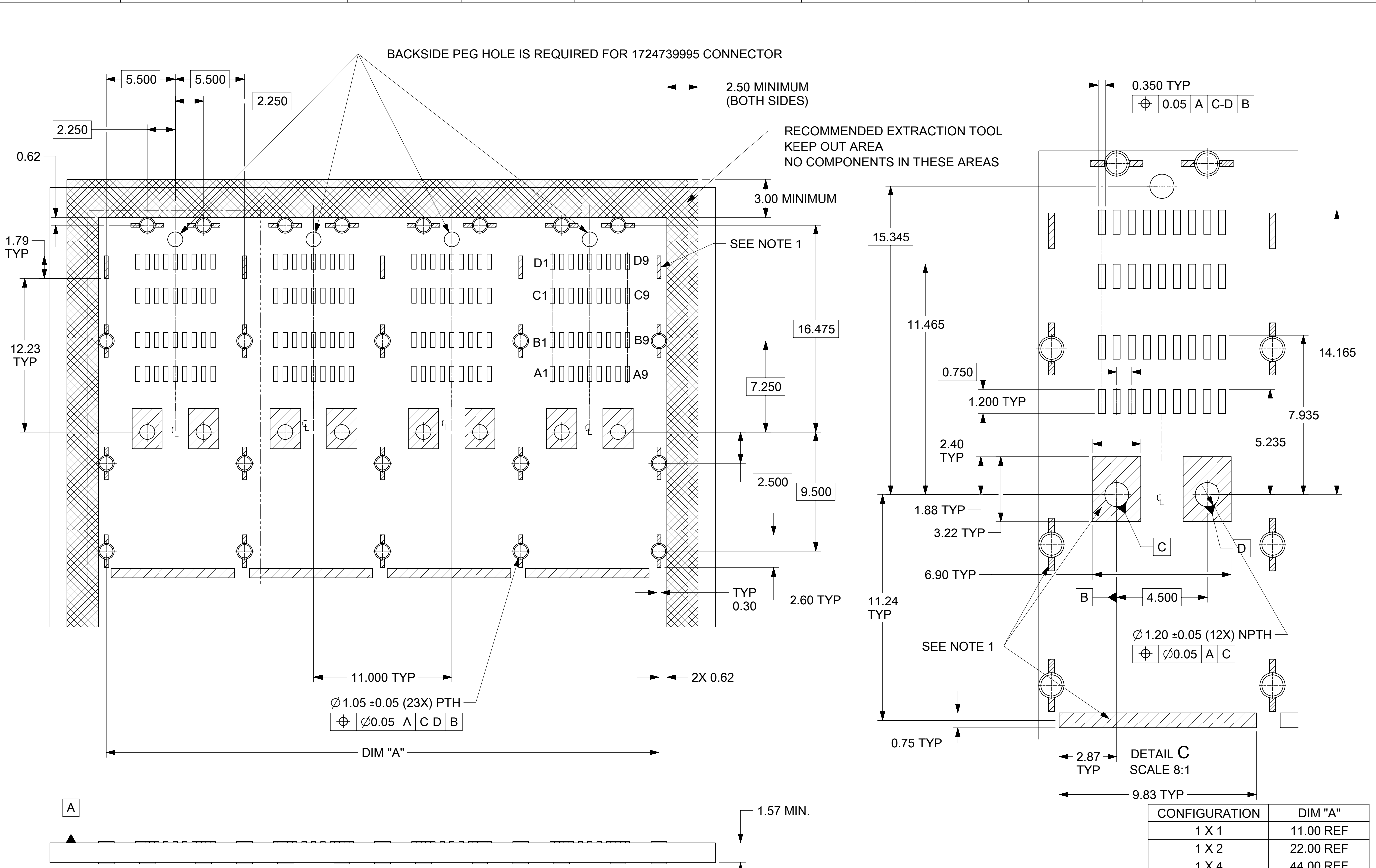
PCB TO PANEL VIEW



CONFIGURATION	DIM 'A' (MIN)	DIM 'B'
1 X 1	12.00.	11.90
1 X 2	23.00	22.90
1 X 4	45.00	44.90

THIS DRAWING CONTAINS INFORMATION THAT IS PROPRIETARY TO MOLEX ELECTRONIC TECHNOLOGIES, LLC AND SHOULD NOT BE USED WITHOUT WRITTEN PERMISSION											
FUNCTIONAL SYMBOLS		DIMENSION UNITS		SCALE		CURRENT REV DESC:					
FA = 0		mm		3:1		EC NO: 733789					
FC = 0		GENERAL TOLERANCES (UNLESS SPECIFIED)						DRWN: SUGEEB		2023/01/03	
FD = 0		ANGULAR TOL ± °						CHK'D: GGA		2023/01/19	
DIVISIONAL SYMBOLS		4 PLACES ±		°		APPR: GGA		2023/01/19		PRODUCT CUSTOMER DRAWING	
		3 PLACES ± 0.1				INITIAL REVISION:		2017/11/10		DOCUMENT NUMBER	
		2 PLACES ± 0.15				DRWN: AKOLAK		2018/06/27		1724731111	
		1 PLACE ± 0.25				APPR: TMCLELLAND				PSD 001 B6	
		0 PLACES ±				THIRD ANGLE PROJECTION		DRAWING		SHEET NUMBER	
		DRAFT WHERE APPLICABLE MUST REMAIN WITHIN DIMENSIONS				C-SIZE		SERIES		172473	
								MATERIAL NUMBER		CUSTOMER	
								SEE TABLE		GENERAL MARKET	

DOCUMENT STATUS	P1	RELEASE DATE	2023/01/19	04:51:45
-----------------	----	--------------	------------	----------



SHOWN 1X4 RECOMMENDED FOOTPRINT

- NOTES:
- KEEP OUT ZONE: TRACES, VIAS AND COMPONENT ARE NOT ALLOWED ON SURFACE OF PCB IN THESE AREAS;
 - THE ENTIRE AREA UNDER THE CONNECTOR IS A COMPONENT KEEP OUT ZONE, THE DETAIL INFORMATION REFER TO SI ROUTING SPEC. 1724730100.

FUNCTIONAL SYMBOLS		THIS DRAWING CONTAINS INFORMATION THAT IS PROPRIETARY TO MOLEX ELECTRONIC TECHNOLOGIES, LLC AND SHOULD NOT BE USED WITHOUT WRITTEN PERMISSION		CURRENT REV DESC:	
FA = 0	DIMENSION UNITS	SCALE			
FC = 0	mm	5:1			
FD = 0	GENERAL TOLERANCES (UNLESS SPECIFIED)				
	ANGULAR TOL ± °				
	4 PLACES	±			
	3 PLACES	± 0.1			
	2 PLACES	± 0.15			
	1 PLACE	± 0.25			
	0 PLACES	±			
DIVISIONAL SYMBOLS		DRAFT WHERE APPLICABLE MUST REMAIN WITHIN DIMENSIONS		THIRD ANGLE PROJECTION	
				DRAWING SERIES	
				C-SIZE 172473	
				MATERIAL NUMBER CUSTOMER SHEET NUMBER	
				SEE TABLE GENERAL MARKET 4 OF 5	

CONFIGURATION	DIM "A"
1 X 1	11.00 REF
1 X 2	22.00 REF
1 X 4	44.00 REF

molex

IPASS RA SMT EXTERNAL SD

PRODUCT CUSTOMER DRAWING

DOCUMENT NUMBER	DOC TYPE	DOC PART	REVISION
1724731111	PSD	001	B6

DATE	VERSION	DESCRIPTION
2021/11/16	B3	1. UPDATE THE DEFINITION OF DATUM A AND DATUM B ON PCB; 2. ADDED NEW 3 PEG 1724739995 CONNECTOR INFORMATION
2022/04/12	B5	1. UPDATE TOP SURFANCE KEEP OUT AREA; 2.CANCEL REPEAT SHOWN PAGE.
2023/01/03	B6	1. REMOVED OBSOLETED PART 1724736001 2 PEG CONNECTOR.

FUNCTIONAL SYMBOLS										THIS DRAWING CONTAINS INFORMATION THAT IS PROPRIETARY TO MOLEX ELECTRONIC TECHNOLOGIES, LLC AND SHOULD NOT BE USED WITHOUT WRITTEN PERMISSION													
DIMENSION UNITS		SCALE		CURRENT REV DESC:																			
mm		1:1		EC NO: 733789 DRWN: SUGEEB 2023/01/03 CHK'D: GGA 2023/01/19 APPR: GGA 2023/01/19 INITIAL REVISION: DRWN: AKOLAK 2017/11/10 APPR: TMCLELLAND 2018/06/27																			
GENERAL TOLERANCES (UNLESS SPECIFIED)																							
ANGULAR TOL ± °																							
4 PLACES ±																							
DIVISIONAL SYMBOLS										PRODUCT CUSTOMER DRAWING													
3 PLACES ± 0.1		2 PLACES ± 0.15		1 PLACE ± 0.25		0 PLACES ±		DOCUMENT NUMBER				DOC TYPE		DOC PART		REVISION							
DRAFT WHERE APPLICABLE MUST REMAIN WITHIN DIMENSIONS		THIRD ANGLE PROJECTION		DRAWING		SERIES		MATERIAL NUMBER				CUSTOMER				SHEET NUMBER							
				C-SIZE		172473		SEE TABLE				GENERAL MARKET				5 OF 5							



IPASS RA SMT EXTERNAL SD

PRODUCT CUSTOMER DRAWING

1724731111 PSD 001 B6