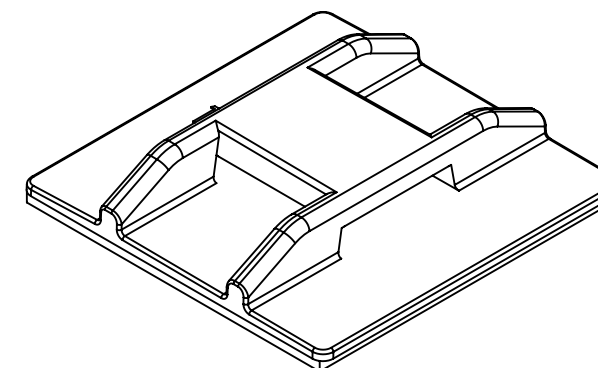
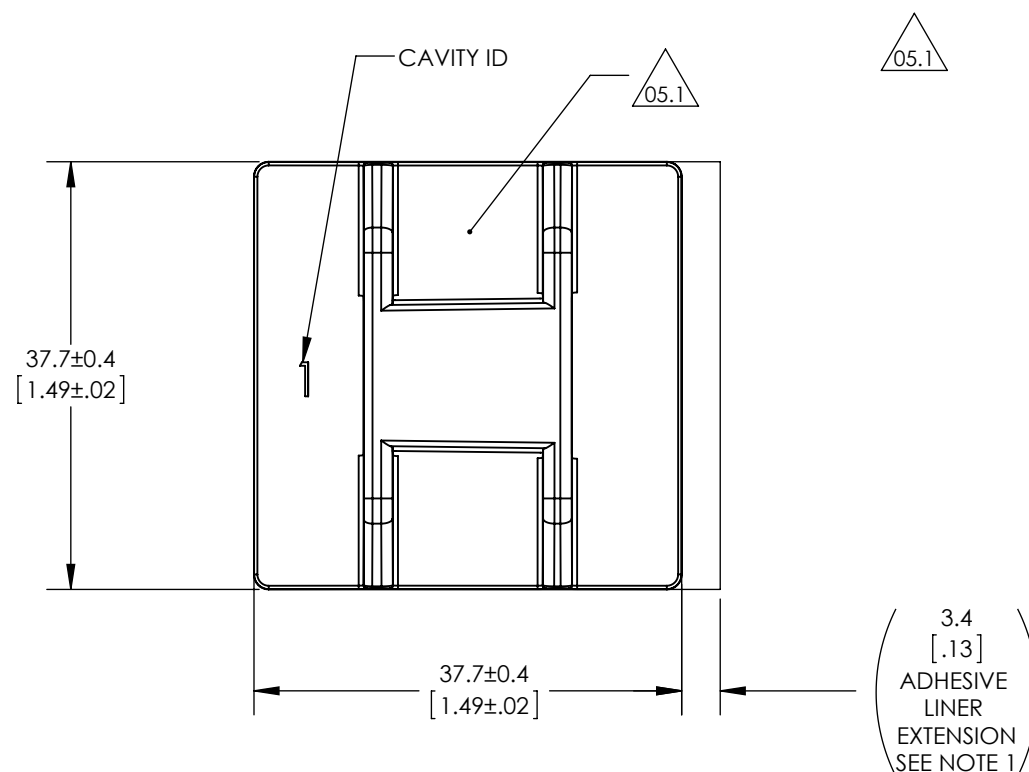


Revision level			Revision Record	Changed	Date	Approved	Date
Drawing	State	Part					
05.1	Design Release	-	SEE ECN# 013543	RLV	11/21/2016	KAC	11/21/2016

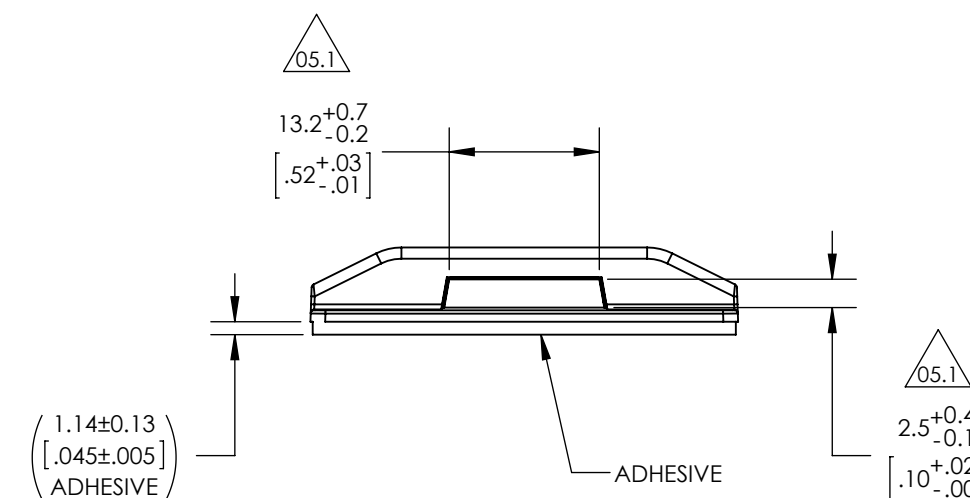
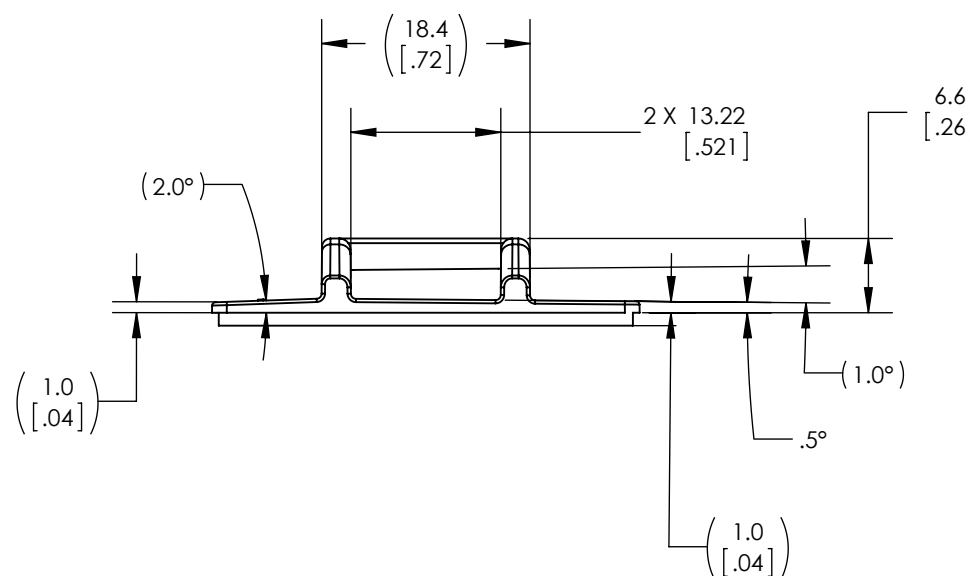


05.1

INITIAL PERFORMANCE VALIDATION:
MOUNT WITH ADHESIVE IS DESIGNED FOR:

- MAX (TBD) LBS PULL OFF PERPENDICULAR TO CLEAN DRY SMOOTH STAINLESS STEEL MOUNTING SURFACE AT 80°C FOR (TBD) DAYS
- MAX (TBD) LBS PULL OFF PARALLEL TO CLEAN DRY SMOOTH STAINLESS STEEL MOUNTING SURFACE AT 80°C FOR (TBD) DAYS
- MAX IN-SERVICE (SURFACE OR AMBIENT) TEMPERATURE OF 80°C FOR (TBD) DAYS

THE CLAIMS EXPRESSED OR IMPLIED HERE WITH RESPECT TO THE ADHESIVE PERFORMANCE ARE SUBJECT TO VARIATION AND ARE BEYOND HELLERMANN TYTON'S CONTROL



- Notes
1. LINER EXTENSION NOT KEYED TO SPECIFIC SIDE
 2. DESIGNED FOR USE WITH WS TYPE CABLE TIES

05.1

Material
PA66HIRHSUV BLACK
ASTM D4066 PA0161
ASTM D6779 PA0161
ADHESIVE:
ACRYLIC FOAM
PER URAD5PX5011E

Units: millimeters
Dimension without tolerances details to:
.xxx = ±.013
.xx = ±.13
.x = ±.3
None = ±.8
∠ = ±0.5°
Dimension Formatted mm/[in]

The copyright of this drawing is reserved by Hellermann Tyton. It is issued on condition that it is not reproduced, copied, or disclosed to a third party, either wholly or in part, without the consent of Hellermann Tyton.

Drawn RLV 12/03/2015
Approved KAC 12/03/2015

HellermannTyton
North America
Email: corp@htamericas.com
Web: www.hellermann.tyton.com

Article/Type-No WSMB5AHB
Title WIDE STRAP ADHESIVE MOUNT
Drawing-No 13-0220-004-CSU
PRODUCTION : Phase

Scale 3:2
Project Number PRP13-0220
Format B
Sheet 1/1