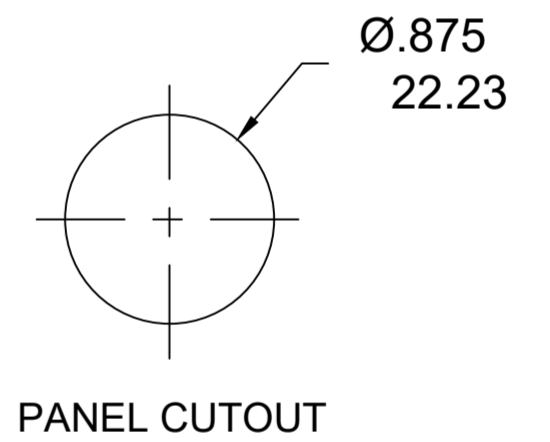
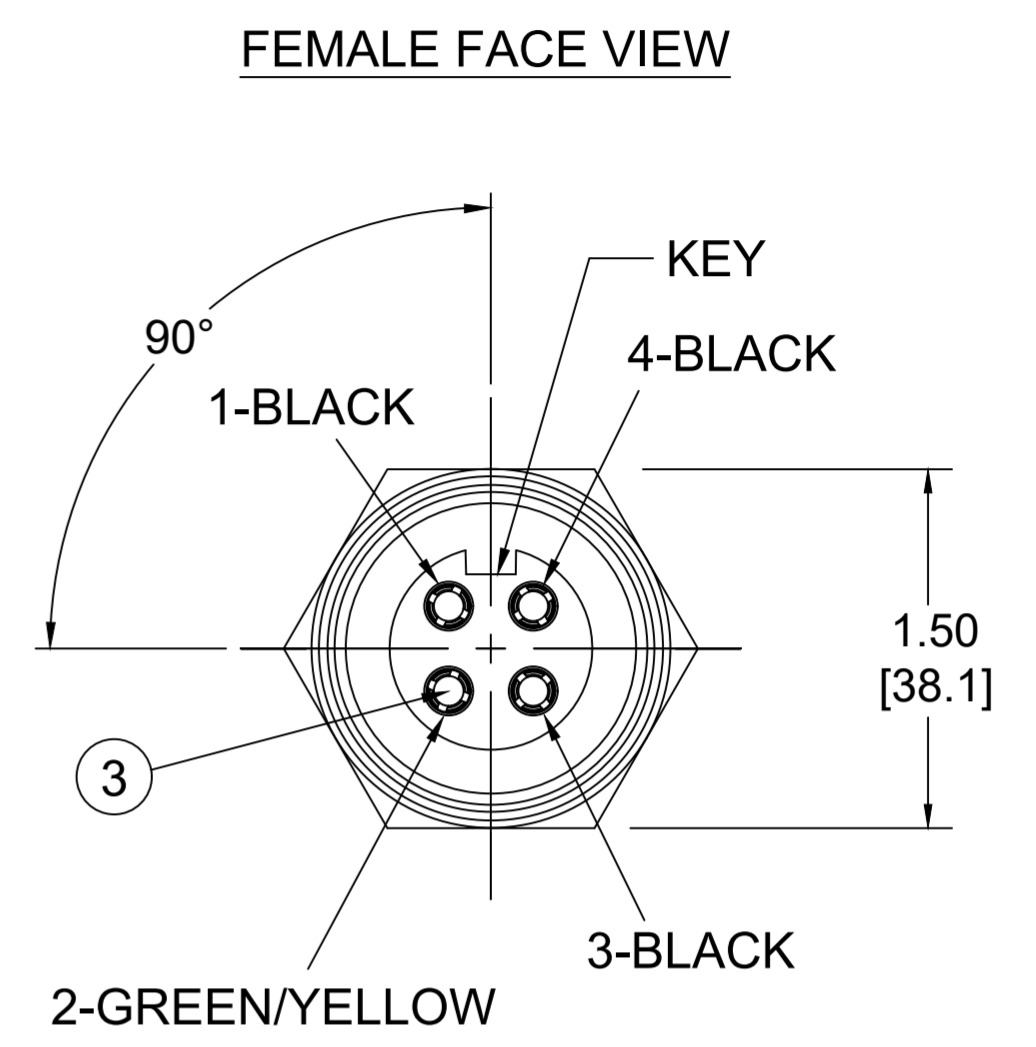
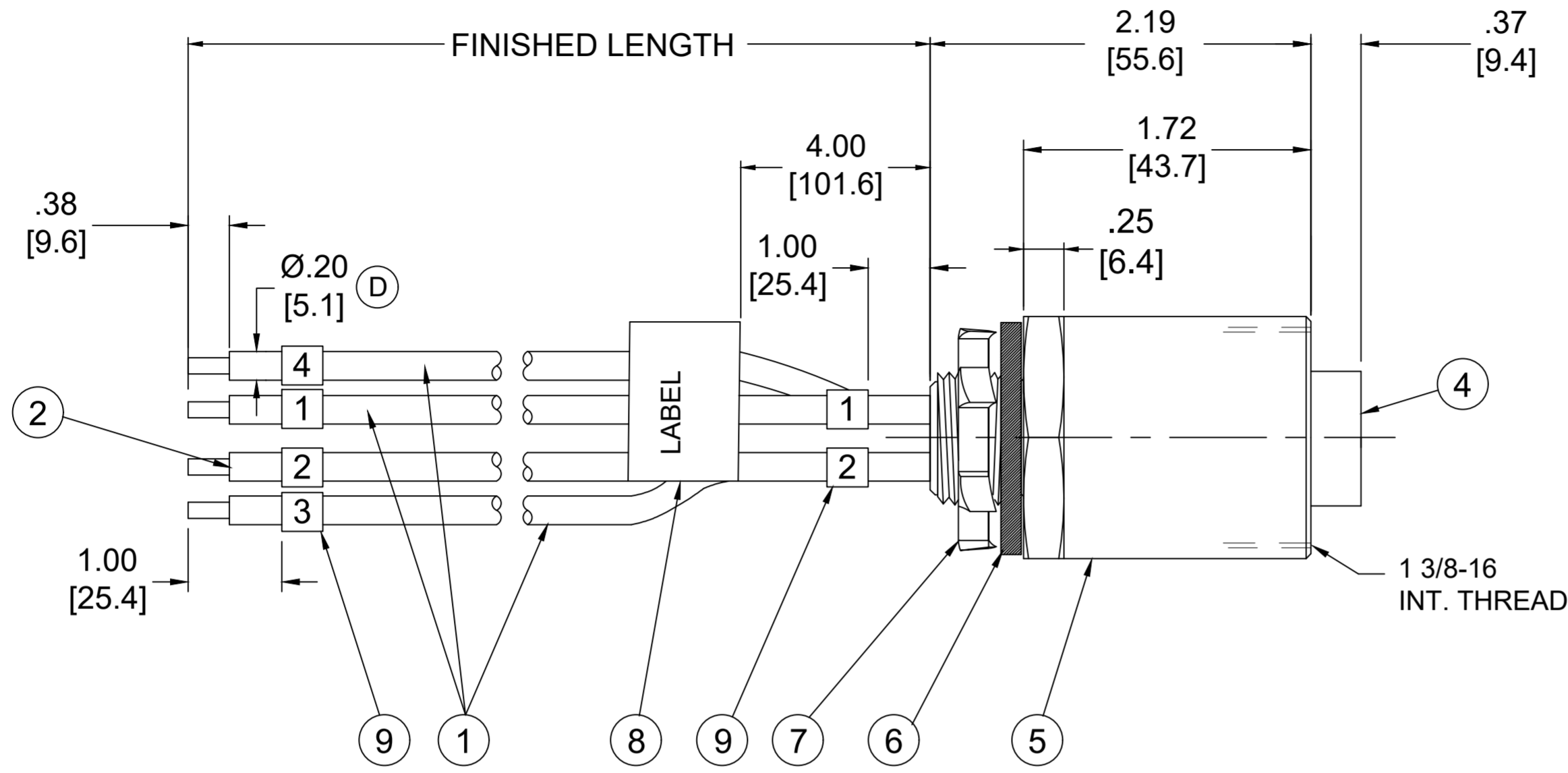


PART NO	ENGINEERING NO.	FINISHED LENGTH
1300660235	CR4000A76M005	0.5M [1FT 7 IN]
1300660231	CR4000A76M030	3M [9FT 10 IN]
1300662012	CR4000A76M050	5M [16FT 5 IN]



- NOTES:
1. MATERIAL: AS NOTED
 2. FINISH: AS NOTED
 3. ELECTRICAL:
VOLTAGE: 500V PER IEC60664
600V AC/DC PER UL2237
CURRENT: 32A
 4. WIRE ID LABELS INDICATE PIN NUMBER
 5. PROTECTION: IP67 (WHEN MATED)
 6. TEMP RATING: -20°C TO +105°C (D)
 7. PANEL THICKNESS: .12 (3mm)
 8. UL LISTED FILE: E258922
 9. ALL DIMENSIONS ARE FOR REFERENCE
UNLESS TOLERANCED OR NOTED OTHERWISE

PART NO. MATRIX
CR4000A76M010

FINISHED LENGTH:
M005= 0.5 METER
M010= 1 METER
M100= 10 METER

CABLE LENGTH TOLERANCES

<.3M [1FT]:	+19mm-0 [+ .75in-0]
.3 - .9M [1 - 3FT]:	+44.5mm-0 [+1.75in-0]
.9 - 1.8M [3 - 6FT]:	+55.6mm-0 [+2.19in-0]
1.8 - 3.7M [6 - 12FT]:	+88.9mm-0 [+3.50in-0]
3.7 - 7.3M [12 - 24FT]:	+165.1mm-0 [+6.50in-0]
7.3-14.6M [24 - 48FT]:	+317.5mm-0 [+12.50in-0]
14.6 - 30.5M [48-100FT]:	+622.3mm-0 [+24.50in-0]
OVER 30M [100FT]	+2% OF FINISHED LENGTH

ITEM	DESCRIPTION	MATERIAL	FINISH
9	WIRE IDENTIFIER LABEL	VINYL	BLACK ON WHITE
8	FLAG LABEL	VINYL	YELLOW
7	LOCKNUT, 1/2 NPT	STEEL	ZINC PLATE
6	GASKET	NEOPRENE	BLACK
5	RECEPTACLE SHELL	6061-T6 ALUMINUM	CLEAR ANOIZED
4	FEMALE INSERT	TPE	BLACK
3	CONTACT SOCKET	COPPER ALLOY	GOLD PLATED
2	#10-1 WIRE UL 1015	PVC JACKET	GREEN/YELLOW
1	#10-1 WIRE UL 1015	PVC JACKET	BLACK
ITEM	DESCRIPTION	MATERIAL	FINISH

FUNCTIONAL SYMBOLS	DIMENSION UNITS	SCALE	CURRENT REV DESC: ITEM #4 WAS PVC. UPDATED TEMP RATING. ADDED KEY ANGLE & CABLE DIA. MODIFIED MATERIAL NUMBER CHART
FA=0	INCH/MM	NTS	EC NO: 663067
FC=0	GENERAL TOLERANCES (UNLESS SPECIFIED)		DRWN: ABENJAMINLW 2021/01/07
FP=0			CHK'D: RSTONE 2021/05/06
DIVISIONAL SYMBOLS	mm	INCH	APPR: BWOODMAN 2021/05/13
	4 PLACES ±----	±----	INITIAL REVISION:
	3 PLACES ±----	±----	DRWN: MODELL 2008/04/28
	2 PLACES ±----	±----	APPR: JFMURPHY 2008/05/22
	1 PLACE ±----	±----	
	0 PLACES ±----	±----	
	ANGULAR TOL ± ---- °		
	DRAFT WHERE APPLICABLE MUST REMAIN WITHIN DIMENSIONS	THIRD ANGLE PROJECTION	DRAWING C-SIZE
			SERIES 130066
			MATERIAL NUMBER SEE CHART
			CUSTOMER GM
			SHEET NUMBER 1 OF 1

QUICK CHANGE RECEPTACLE 1/2" NPT
4 POLE, FEMALE, SINGLE KEY, #10 AWG

PRODUCT CUSTOMER DRAWING

DOCUMENT NUMBER: SD-130066-005
DOC TYPE/DOC PART/REVISION: PSD 001 D