

**NOTES**

1. MATERIAL
 

HOUSING	LIQUID CRYSTAL POLYMER GLASS FILLED,UL94V-0(BEIGE)
ACTUATOR	PPS GLASS FILLED, UL94V-0(BLACK) (t=0.15)
TERMINAL	PHOSPHOR BRONZE (t=0.15)
FITTING NAIL	PHOSPHOR BRONZE
2. PLATING
 

TERMINAL	CONTACT AREA : SEPARATED GOLD PLATING (0.05 MICROMETER MINIMUM) SOLDER TAIL AREA : SEPARATED GOLD PLATING UNDERPLATE : NICKEL OVERALL (1.0 MICROMETER MINIMUM)
FITTING NAIL	TIN PLATING (1.0 MICROMETER MIN.) UNDER PLATING : NICKEL PLATING (1.0 MICROMETER MIN.)
3. IN THE PACKAGE, ACTUATOR OF PART 104060-\*\*10 SHOULD BE CLOSED.
4. FITTING NAIL FOR PREVENTION OF PEELING OF P.C.B. PATTERN.
5. R0.3 MUST NOT BE OVERLAPPED TO PATTERN OF FPC/FFC.
6. N: CIRCUIT.
7. ELV AND RoHS COMPLIANT
8. TAILS AND NAILS COPLANALITY TO BE 0.1mm MAX.

40.55	43.1	39.5	44.7	104060-8010	104060-8017	80
30.55	33.1	29.5	34.7	104060-6010	104060-6017	60
D	C	B	A	MATERIAL NO.	EMBOSSED PACKAGE	CIRCUIT

CONNECTOR SERIES No. 104060-\*\*\*10

REVISED EC NO: KOR2016-0118 DRWN:YRK/IM 2016/05/27 CHKD:SK/IM 2016/05/30 APPR:YSK/IM02 2016/05/31	DESCRIPTION QUALITY SYMBOLS ▽=0 ◻=0	GENERAL TOLERANCES (UNLESS SPECIFIED)		DIMENSION STYLE MM ONLY		SCALE 1:1	DESIGN UNITS METRIC	THIRD ANGLE PROJECTION		
			mm	INCH	DRAWN BY YR.KIM	DATE 2009/06/26	TITLE 0.5 FFC E/O DUAL CONTACT HOUSING ASS'Y			
		4 PLACES	± ---	± ---	CHECKED BY YS00.KIM	DATE 2009/06/26	<b>MOLEX INCORPORATED</b> DOCUMENT NO. SD-104060-001			
		3 PLACES	± ---	± ---	APPROVED BY YS00.KIM	DATE 2009/06/26				
2 PLACES	± ---	± ---	ANGULAR ± 1 °		MATERIAL NO.		SHEET NO. 1 OF 3			
1 PLACE	± 0.3	± ---	DRAFT WHERE APPLICABLE MUST REMAIN WITHIN DIMENSIONS		SEE TABLE		THIS DRAWING CONTAINS INFORMATION THAT IS PROPRIETARY TO MOLEX INCORPORATED AND SHOULD NOT BE USED WITHOUT WRITTEN PERMISSION			

10 9 8 7 6 5 4 3 2 1

F

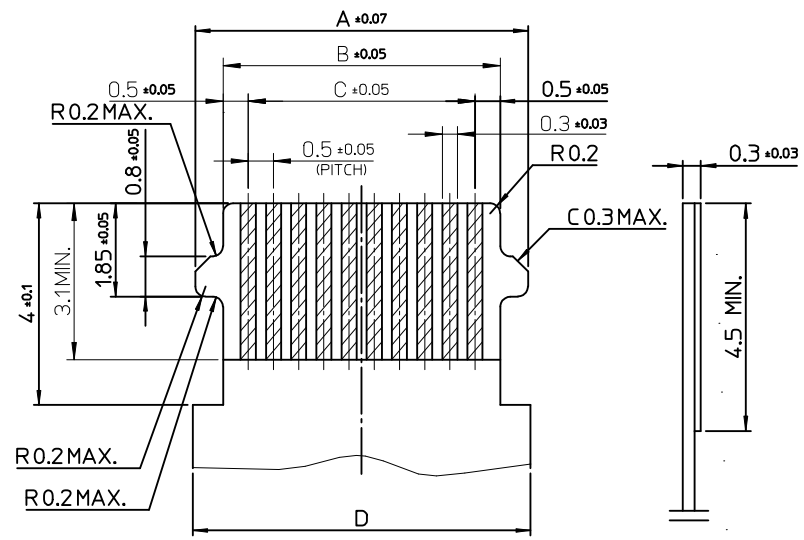
E

D

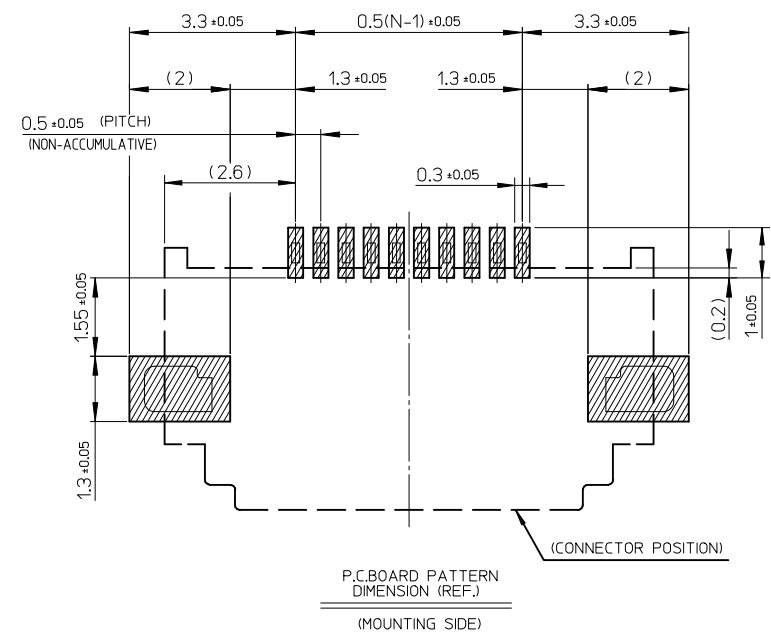
C

B

A



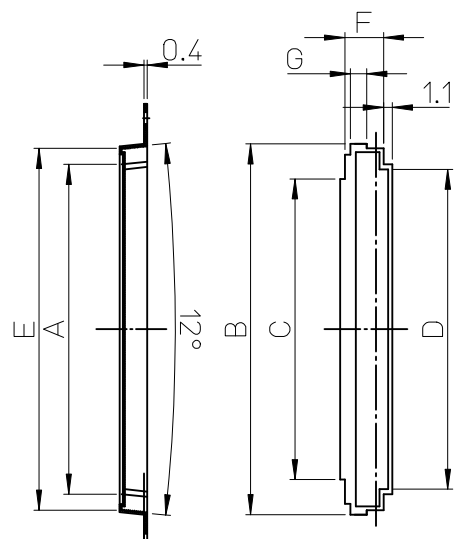
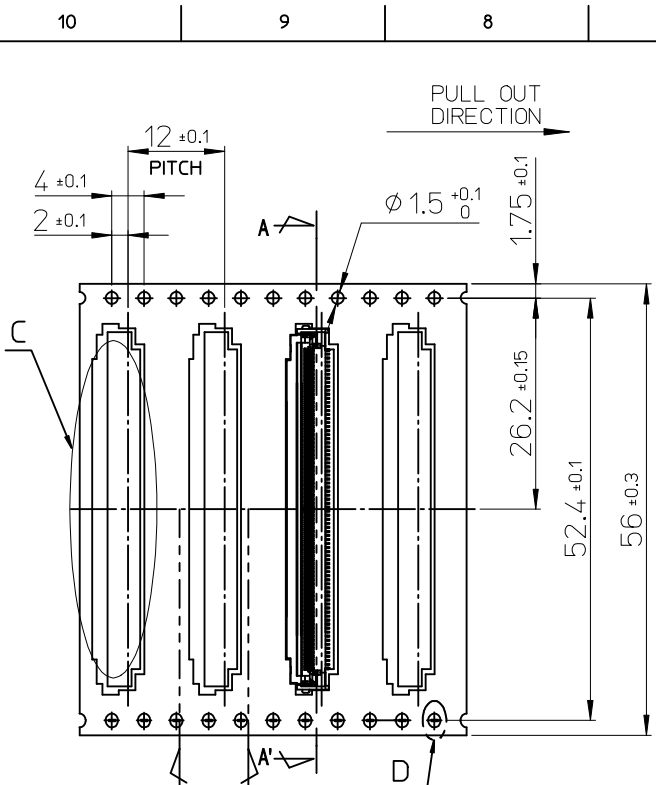
APPLICABLE FPC/FFC  
RECOMMENDED DIMENSION



42.3	39.5	40.5	42.2	80
32.3	29.5	30.5	32.2	60
D	C	B	A	CIRCUIT

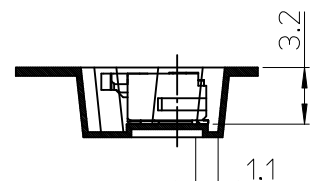
REVISED EC NO: KOR2016-0118 DRWN:YRKIM 2016/05/27 CHKD:KSKIM 2016/05/30 APPR:YSKIM02 2016/05/31	QUALITY SYMBOLS	GENERAL TOLERANCES (UNLESS SPECIFIED)	DIMENSION STYLE MM ONLY	SCALE 1:1	DESIGN UNITS METRIC	THIRD ANGLE PROJECTION																																	
	$\nabla=0$ $\square=0$	<table border="1"> <tr> <td></td> <td>mm</td> <td>INCH</td> </tr> <tr> <td>4 PLACES</td> <td><math>\pm</math> ---</td> <td><math>\pm</math> ---</td> </tr> <tr> <td>3 PLACES</td> <td><math>\pm</math> ---</td> <td><math>\pm</math> ---</td> </tr> <tr> <td>2 PLACES</td> <td><math>\pm</math> ---</td> <td><math>\pm</math> ---</td> </tr> <tr> <td>1 PLACE</td> <td><math>\pm</math> 0.3</td> <td><math>\pm</math> ---</td> </tr> </table>		mm	INCH	4 PLACES	$\pm$ ---	$\pm$ ---	3 PLACES	$\pm$ ---	$\pm$ ---	2 PLACES	$\pm$ ---	$\pm$ ---	1 PLACE	$\pm$ 0.3	$\pm$ ---	<table border="1"> <tr> <td>DRAWN BY</td> <td>DATE</td> <td>TITLE</td> </tr> <tr> <td>YR.KIM</td> <td>2009/06/26</td> <td>0.5 FFC E/O DUAL CONTACT HOUSING ASS'Y</td> </tr> <tr> <td>CHECKED BY</td> <td>DATE</td> <td></td> </tr> <tr> <td>YS00.KIM</td> <td>2009/06/26</td> <td></td> </tr> <tr> <td>APPROVED BY</td> <td>DATE</td> <td></td> </tr> <tr> <td>YS00.KIM</td> <td>2009/06/26</td> <td></td> </tr> </table>	DRAWN BY	DATE	TITLE	YR.KIM	2009/06/26	0.5 FFC E/O DUAL CONTACT HOUSING ASS'Y	CHECKED BY	DATE		YS00.KIM	2009/06/26		APPROVED BY	DATE		YS00.KIM	2009/06/26		MOLEX INCORPORATED DOCUMENT NO. SD-104060-001		
		mm	INCH																																				
	4 PLACES	$\pm$ ---	$\pm$ ---																																				
3 PLACES	$\pm$ ---	$\pm$ ---																																					
2 PLACES	$\pm$ ---	$\pm$ ---																																					
1 PLACE	$\pm$ 0.3	$\pm$ ---																																					
DRAWN BY	DATE	TITLE																																					
YR.KIM	2009/06/26	0.5 FFC E/O DUAL CONTACT HOUSING ASS'Y																																					
CHECKED BY	DATE																																						
YS00.KIM	2009/06/26																																						
APPROVED BY	DATE																																						
YS00.KIM	2009/06/26																																						
DESCRIPTION	ANGULAR $\pm 1^\circ$	DRAFT WHERE APPLICABLE MUST REMAIN WITHIN DIMENSIONS	SEE TABLE	SHEET NO. 2 OF 3																																			

9 8 7 6 5 4 3 2 1



SECTION A-A'

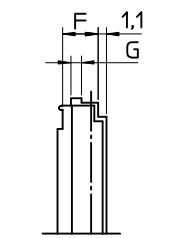
DETAIL C



SECTION B-B' (SCALE 2/1)

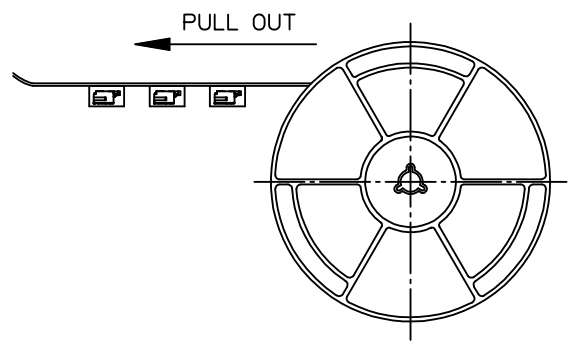
NOTES

1. NUMBER OF CONNECTORS : 2,400PCS/REEL
2. LEAD TAPE LENGTH
3. FOR DIMENSIONS OF PRODUCT, REFER TO SD-104060-001.
4. MATERIAL  
 CARRIER TAPE : POLYETHYLENE TEREPHTHALATE  
 TOP TAPE : POLYETHYLENE TEREPHTHALATE , POLYETHYLENE  
 REEL : POLYSTYRENE<RECYCLE MATERIAL CONTAINED>
5. ELV AND RoHS COMPLIANT
6. PEELING OFF FORCE OF COVER TAPE :  $0.1N \sim 0.59N (10.2GF \sim 60GF)$   
 (PEELING DIRECTION AS SHOW IN FOLLOW FIG.)  
 PEELING OFF SPEED : 300mm/Min.(Ref.)



DETAIL D (SCALE 2/1)

104060-6099



35902-0021	104060-8099	2.0	4.8	44.9	39.7	37.3	46	44.9	104060-8017	80
35902-0021	104060-6099	1.4	4.7	34.65	29.7	27.7	35.8	30.9	104060-6017	60
COVER TAPE	EMBOSS TAPE	G	F	E	D	C	B	A	MATERIAL NO.	CIRCUIT

REVISED EC NO: KOR2016-0118 DRWN:YRKIM 2016/05/27 CHKD:SKIM 2016/05/30 APPR:YSKIM02 2016/05/31	QUALITY SYMBOLS 	GENERAL TOLERANCES (UNLESS SPECIFIED)		DIMENSION STYLE <b>MM ONLY</b>		SCALE <b>10:1</b>	DESIGN UNITS <b>METRIC</b>	THIRD ANGLE PROJECTION				
		mm	INCH	DRAWN BY	DATE	TITLE						
		4 PLACES	± ---	± ---	YR.KIM	2009/06/26	0.5 FFC E/O DUAL CONTACT HOUSING ASS'Y					
		3 PLACES	± ---	± ---	CHECKED BY	DATE	MOLEX INCORPORATED					
2 PLACES	± ---	± ---	YS00.KIM	2009/06/26	DOCUMENT NO.							
1 PLACE	± 0.3	± ---	APPROVED BY	DATE	SHEET NO.							
ANGULAR ± 1 °		DRAFT WHERE APPLICABLE MUST REMAIN WITHIN DIMENSIONS		SEE TABLE		SD-104060-001						
MATERIAL NO.		SIZE		THIS DRAWING CONTAINS INFORMATION THAT IS PROPRIETARY TO MOLEX INCORPORATED AND SHOULD NOT BE USED WITHOUT WRITTEN PERMISSION								
B		A3										