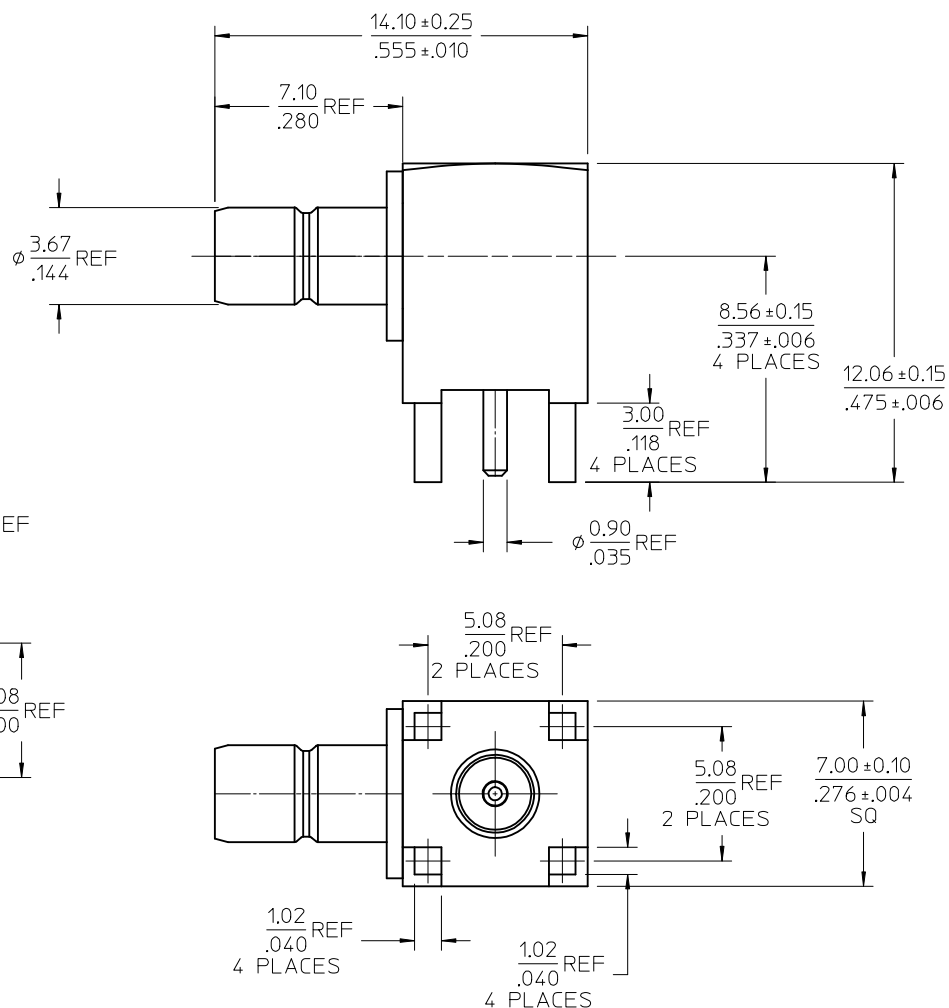
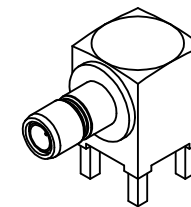


MATERIALS AND FINISHES

BODY, HOUSING BRASS
PLATED GOLD

CENTER CONTACT BRASS
PLATED GOLD

INSULATOR TEFLON



NOTE:

RF LEAKAGE AND VSWR ARE
NOT APPLICABLE IN
PS-73598-0099

PS-73598-0099	PRODUCT SPECIFICATION
SPECIFICATION	DESCRIPTION

73396-0580	SMALL TRAY PACKING (20 PCS)
73404-2280	73100-0103, ONE PER BAG
73100-0103	PLASTIC TRAYS (80 PCS)
PART NO.	PACKAGING

ADDED TOLERANCE AND GEN. TOLER. PER RF17-E069 EC NO: URF2017-0359 DRW: INELIN 2017/04/19 CHKD: APPR: YCHENG 2017/04/27 REV: 5 DESCRIPTION	QUALITY SYMBOLS ▽=0 ▽=0	GENERAL TOLERANCES (UNLESS SPECIFIED) <table border="1"> <tr> <th></th> <th>mm</th> <th>INCH</th> </tr> <tr> <td>4 PLACES</td> <td>± .10</td> <td>± .004</td> </tr> <tr> <td>3 PLACES</td> <td>± .15</td> <td>± .005</td> </tr> <tr> <td>2 PLACES</td> <td>± 0.25</td> <td>± .010</td> </tr> <tr> <td>1 PLACE</td> <td>± .50</td> <td>± .020</td> </tr> </table> ANGULAR ± 2°		mm	INCH	4 PLACES	± .10	± .004	3 PLACES	± .15	± .005	2 PLACES	± 0.25	± .010	1 PLACE	± .50	± .020	DIMENSION STYLE MM/IN DRAWN BY DATE IRIS WANG 1993/08/04 CHECKED BY DATE	SCALE DESIGN UNITS METRIC	THIRD ANGLE PROJECTION
		mm	INCH																	
4 PLACES	± .10	± .004																		
3 PLACES	± .15	± .005																		
2 PLACES	± 0.25	± .010																		
1 PLACE	± .50	± .020																		
DRAFT WHERE APPLICABLE MUST REMAIN WITHIN DIMENSIONS	APPROVED BY DATE	MATERIAL NO. SEE TABLE	TITLE SMB JACK, R/A, 50 OHMS RECEPTACLE SMB-J/RA	MOLEX INCORPORATED	SHEET NO. 1 OF 1															

THIS DRAWING CONTAINS INFORMATION THAT IS PROPRIETARY TO MOLEX INCORPORATED AND SHOULD NOT BE USED WITHOUT WRITTEN PERMISSION