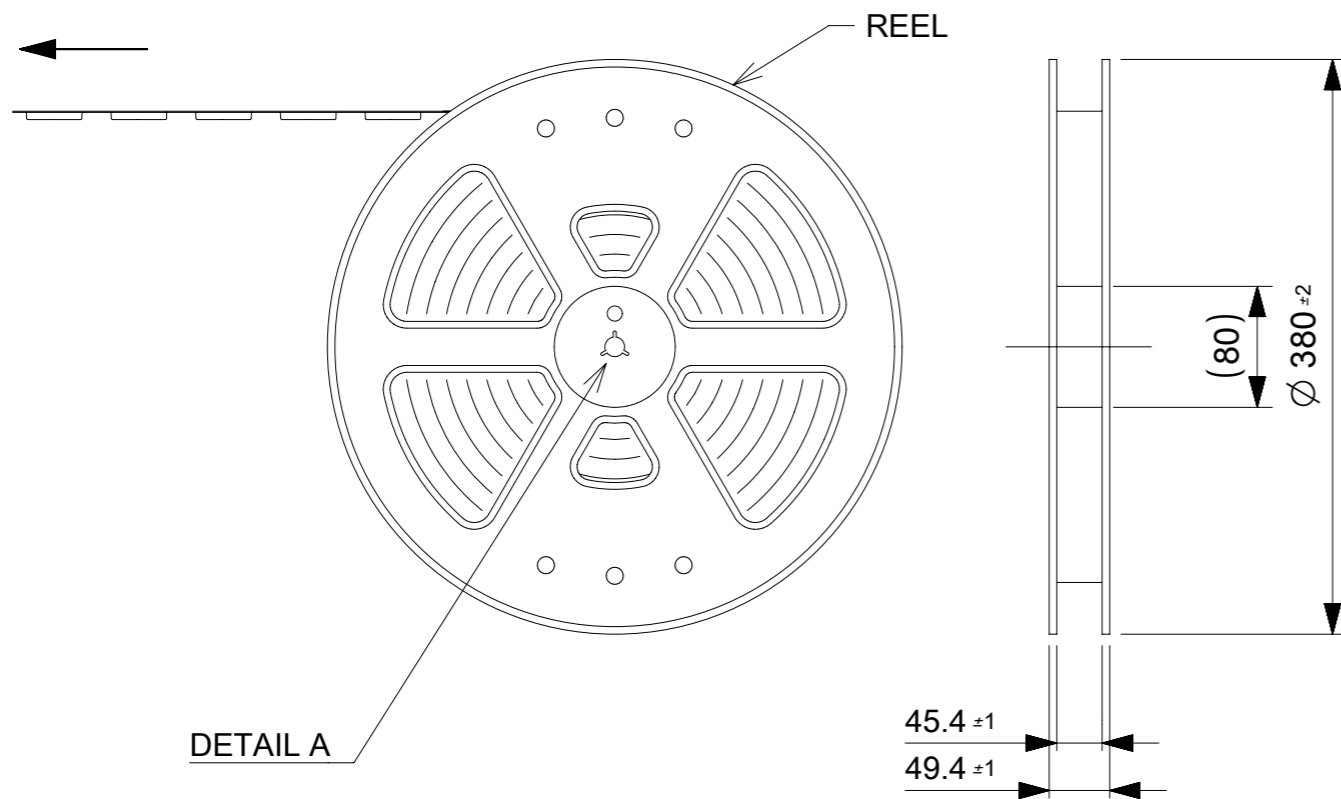
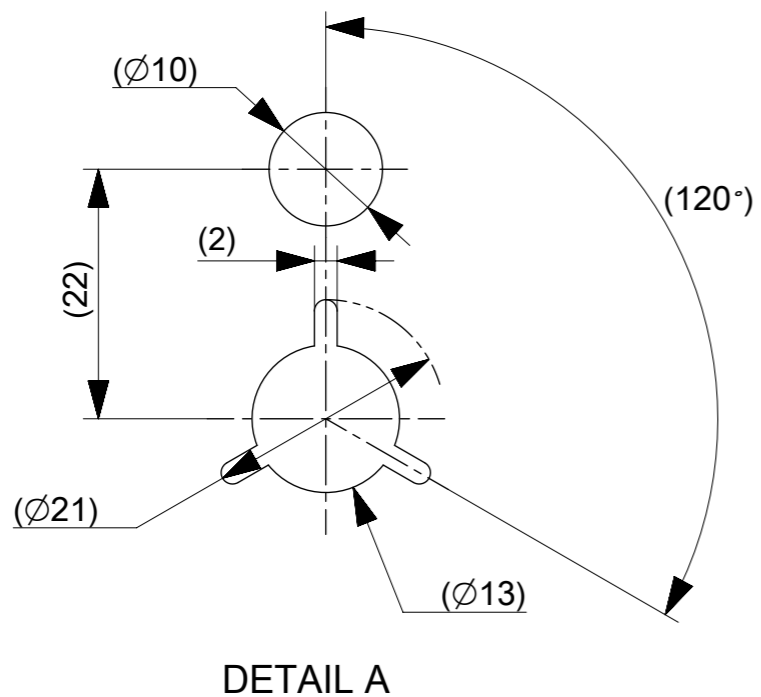


引き出し方向
PULL OUT DIRECTION

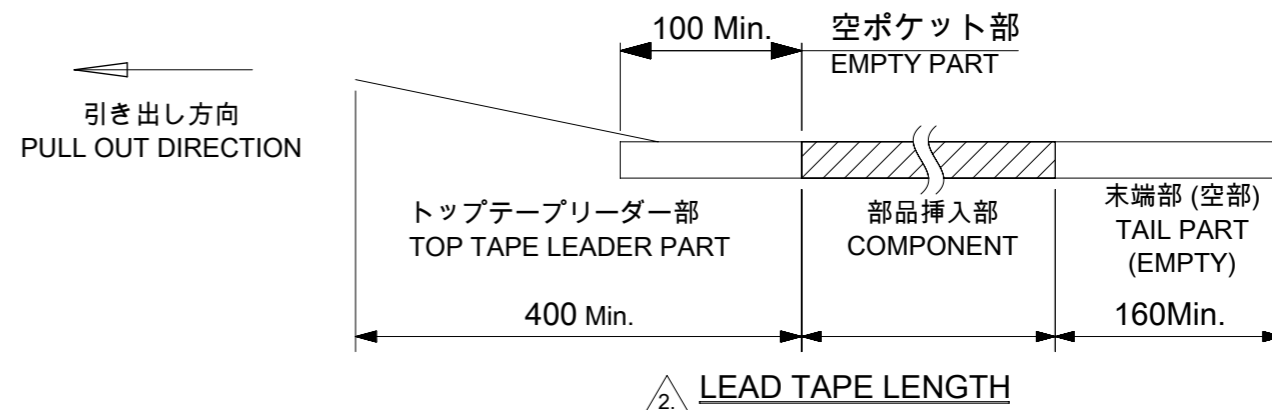


DETAIL A

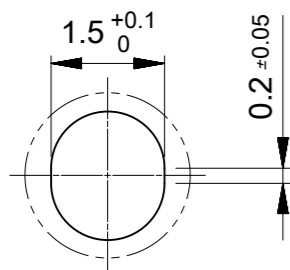
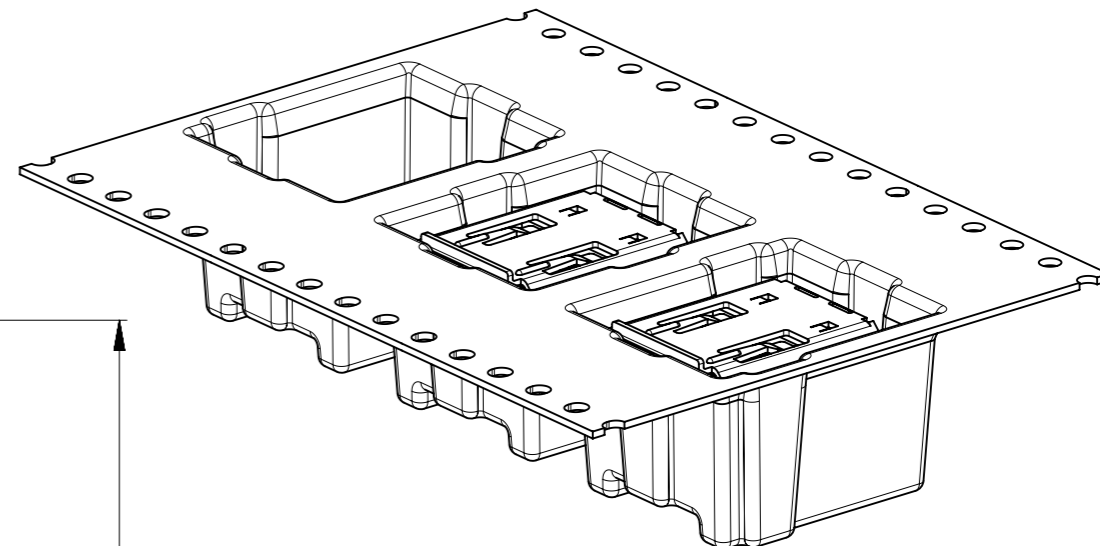
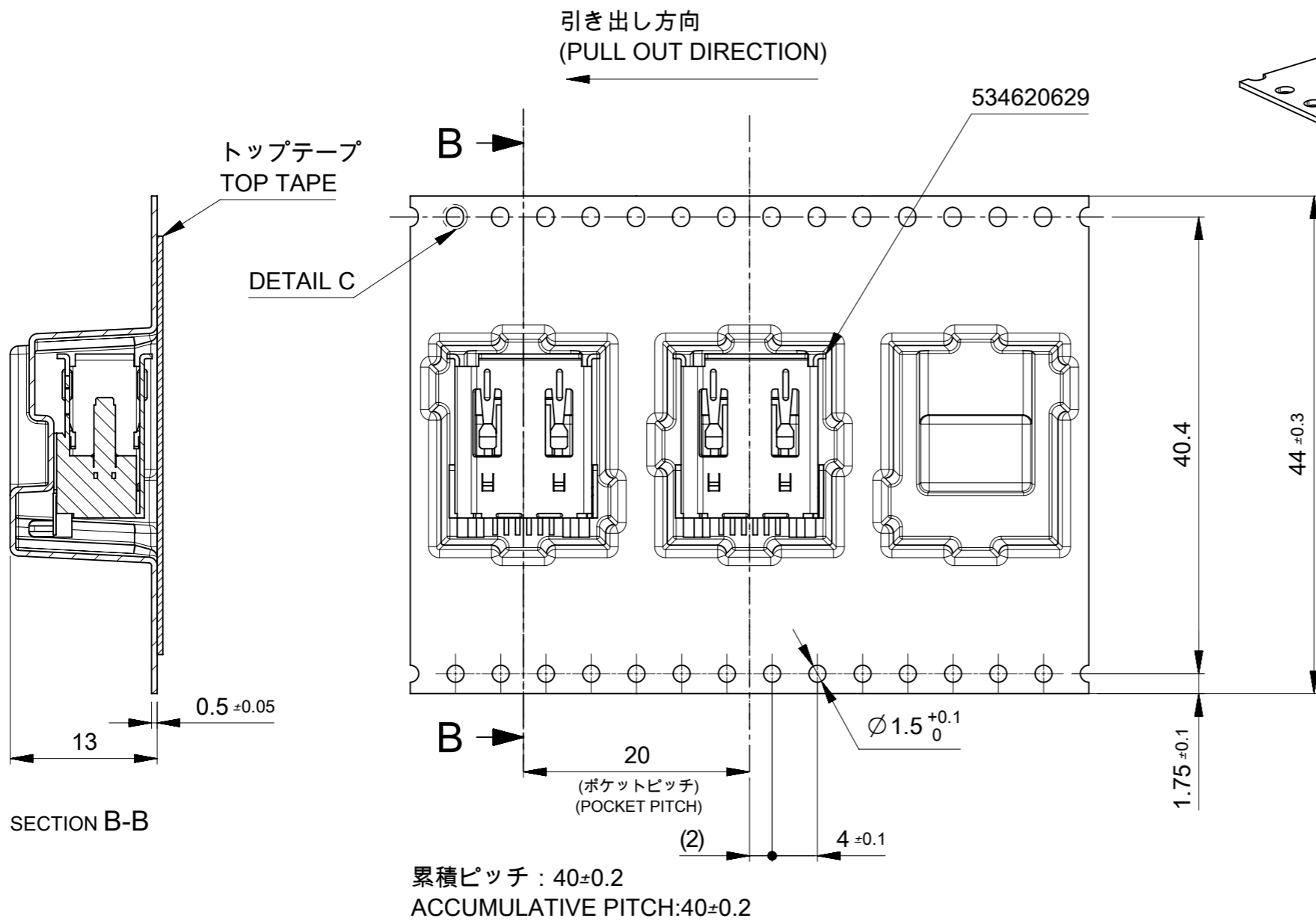


NOTES

- 梱包数量 : 350個 / リール
THE NUMBER OF PACKAGED CONNECTORS: 350 PIECES/REEL
- リードテープ長さ
LEAD TAPE LENGTH.
- 製品詳細寸法については、図面SD-534562-010を参照してください。
FOR DIMENSIONS OF PRODUCT, REFER TO SD-53462-010.
- 材料 MATERIAL
キャリアテープ : ポリスチレン
CARRIER TAPE: POLYSTYRENE
トップテープ : ポリエチレンテレフタレート、ポリエチレン
TOP TAPE: POLYETHYLENE TEREPHTHALATE, POLYETHYLENE
リール : ポリスチレン(リサイクル材を含む)
REEL: POLYSTYRENE(RECYCLE MATERIAL CONTAINED)



SYMBOLS	THIS DRAWING CONTAINS INFORMATION THAT IS PROPRIETARY TO MOLEX ELECTRONIC TECHNOLOGIES, LLC AND SHOULD NOT BE USED WITHOUT WRITTEN PERMISSION		CURRENT REV DESC:			molex		
	DIMENSION UNITS	SCALE						
▽ = 0	mm	1:1	EC NO: 621659			2.0 I/O FLAT SMT WAFER ASSY EMBSTP PKG		
▽ = 0	GENERAL TOLERANCES (UNLESS SPECIFIED)		DRWN: KTAKEUCHI01 2019/08/01			PRODUCT CUSTOMER DRAWING		
▽ = 0	ANGULAR TOL ± 3.0°		CHK'D: RTAKEUCHI 2019/08/06			DOCUMENT NUMBER		
▽ = 0	4 PLACES ± 0.03		APPR: RTAKEUCHI 2019/08/06			534620001		
▽ = 0	3 PLACES ± 0.03		INITIAL REVISION:			PSD 000 B		
▽ = 0	2 PLACES ± 0.05		DRWN: KTAKEUCHI01 2017/10/17			MATERIAL NUMBER		
▽ = 0	1 PLACE ± 0.1		APPR: RTAKEUCHI 2017/12/19			CUSTOMER		
▽ = 0	0 PLACES ± 0.2		THIRD ANGLE PROJECTION			SHEET NUMBER		
■ = 0	DRAFT WHERE APPLICABLE MUST REMAIN WITHIN DIMENSIONS		DRAWING			1 OF 2		
▽ = 0			SERIES			A3-SIZE 53462		



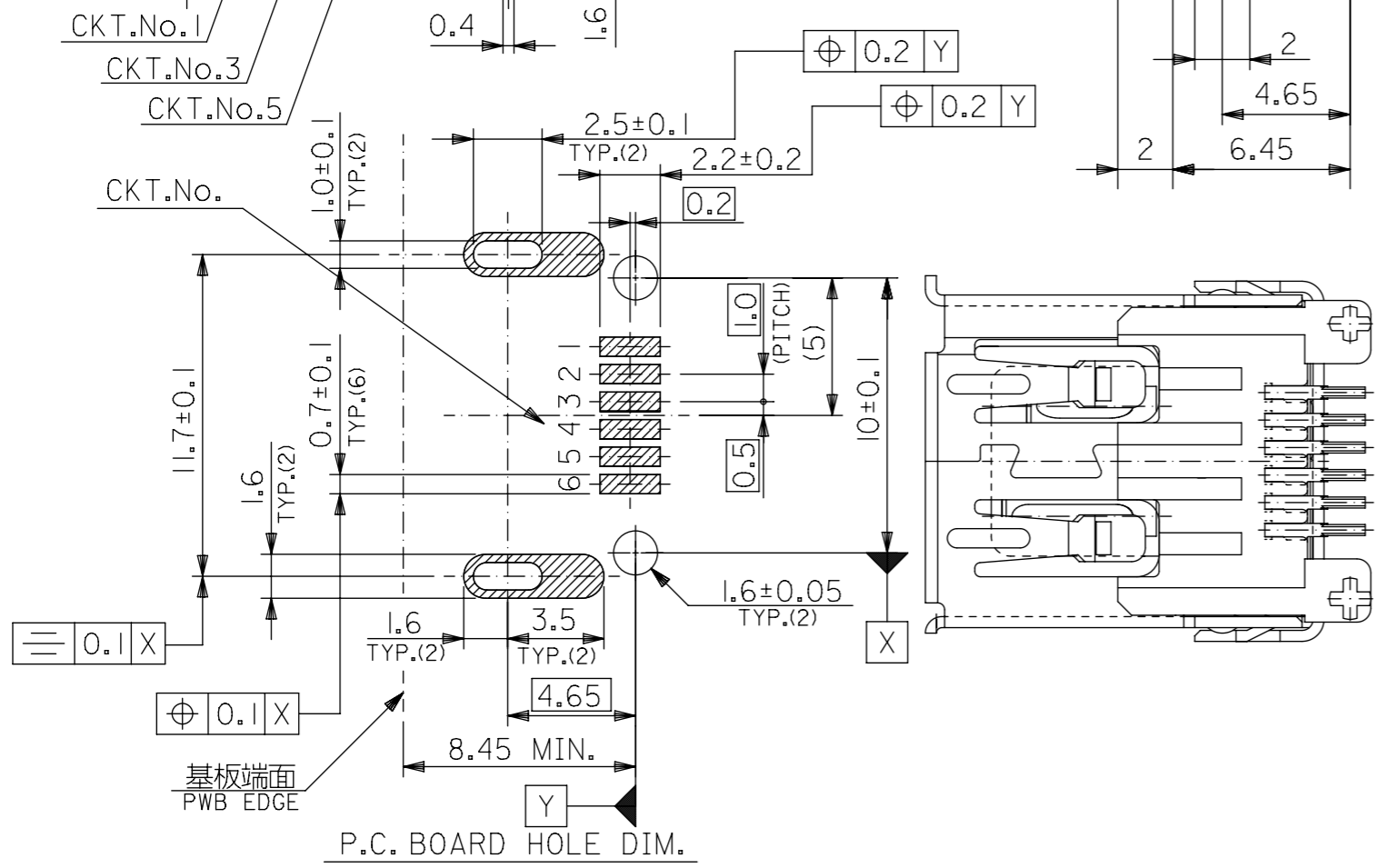
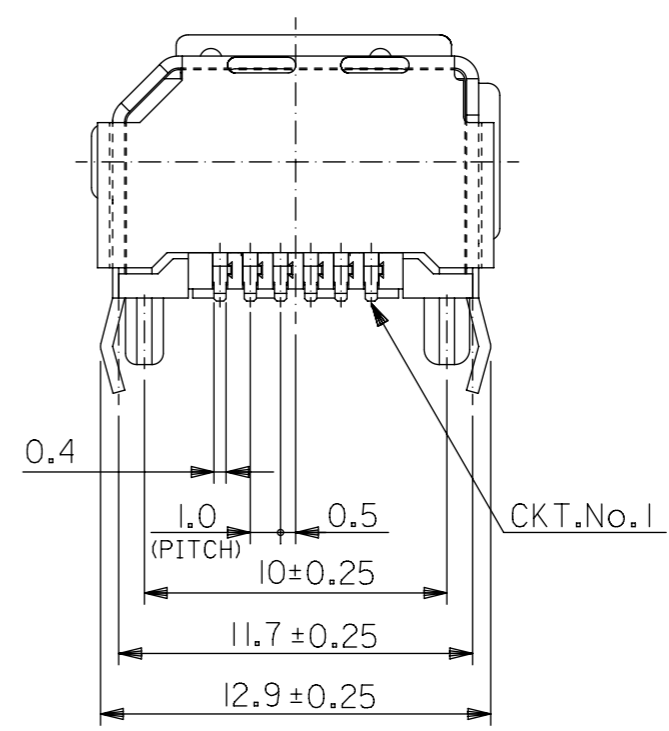
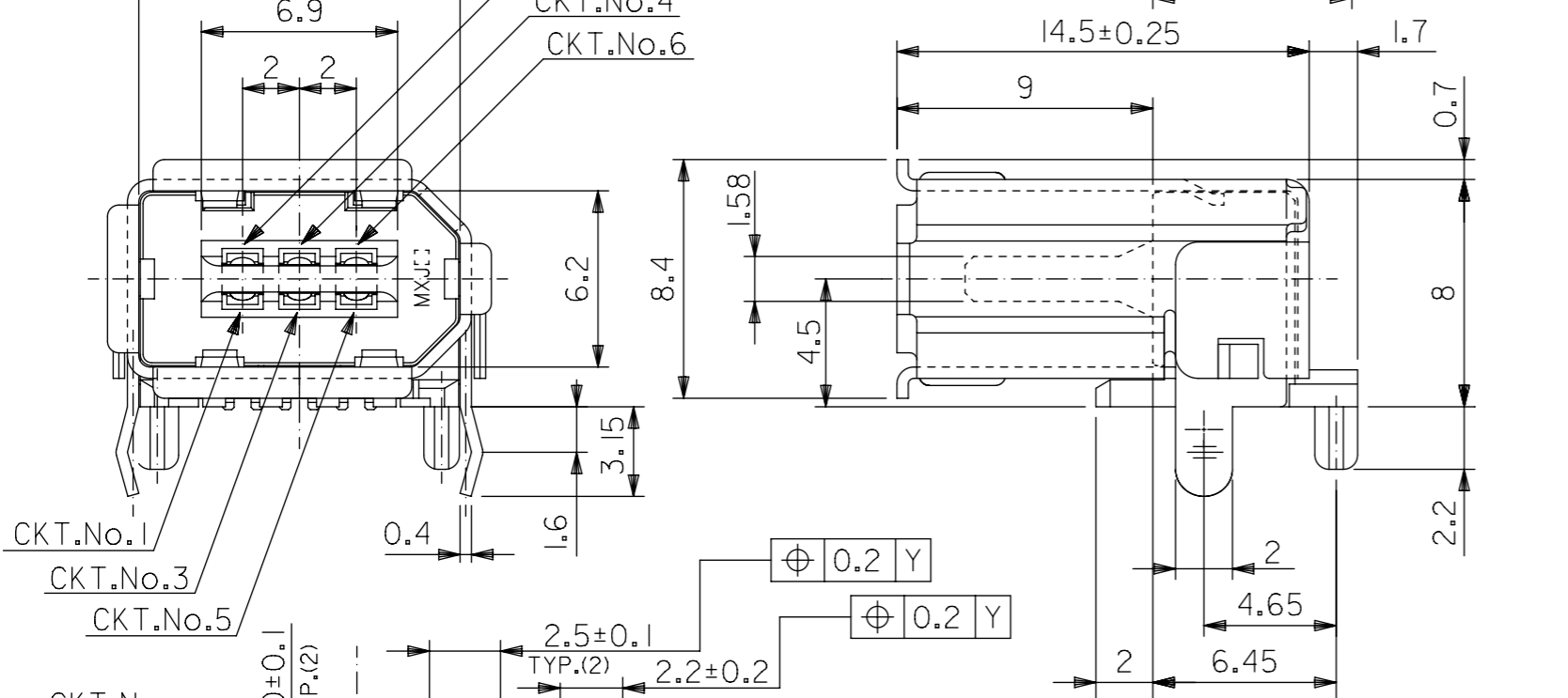
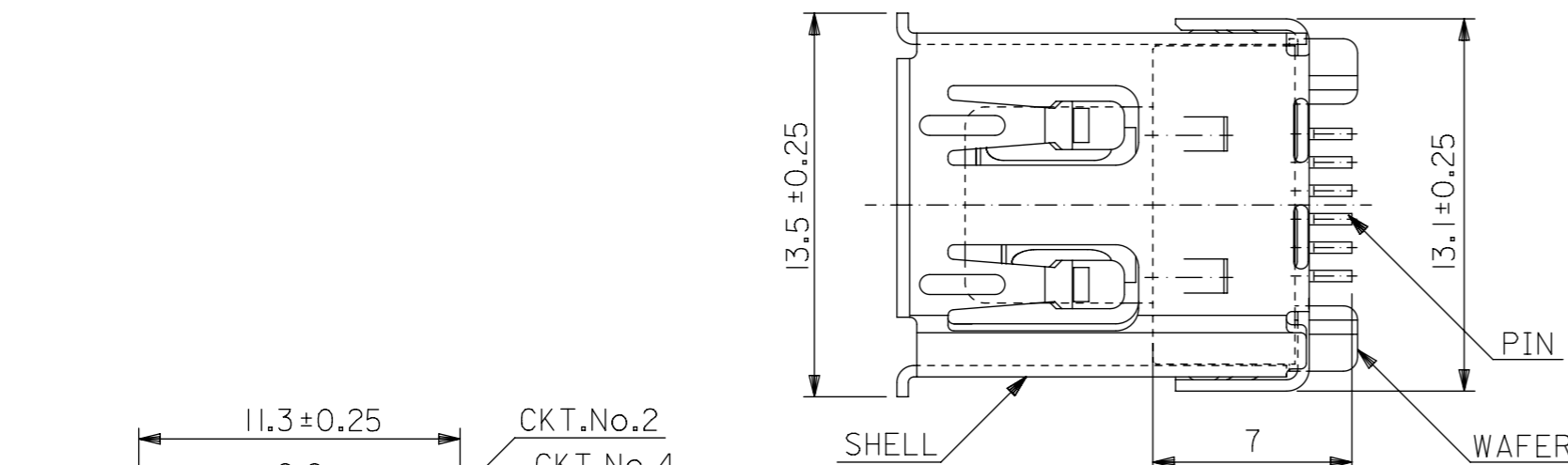
DETAIL C
SCALE 10:1

534620629	534620001
CONNECTOR MATERIAL NO.	EMBOSSED PACKAGE オーダー番号 ORDER NO.

SYMBOLS		THIS DRAWING CONTAINS INFORMATION THAT IS PROPRIETARY TO MOLEX ELECTRONIC TECHNOLOGIES, LLC AND SHOULD NOT BE USED WITHOUT WRITTEN PERMISSION	
DIMENSION UNITS	SCALE	CURRENT REV DESC:	
$\nabla = 0$	mm	2:1	
$\nabla = 0$	GENERAL TOLERANCES (UNLESS SPECIFIED)		
$\nabla = 0$	ANGULAR TOL	± 3.0 °	
$\nabla = 0$	4 PLACES	± 0.03	EC NO: 621659
$\nabla = 0$	3 PLACES	± 0.03	DRWN: KTAKEUCHI01 2019/08/01
$\nabla = 0$	2 PLACES	± 0.05	CHK'D: RTAKEUCHI 2019/08/06
$\nabla = 0$	1 PLACE	± 0.1	APPR: RTAKEUCHI 2019/08/06
$\nabla = 0$	0 PLACES	± 0.2	INITIAL REVISION:
$\square = 0$	DRAFT WHERE APPLICABLE MUST REMAIN WITHIN DIMENSIONS		
$\nabla = 0$	THIRD ANGLE PROJECTION	DRAWING	SERIES
		A3-SIZE	53462
		MATERIAL NUMBER	CUSTOMER
		534620001	
		DOCUMENT NUMBER	DOC TYPE DOC PART REVISION
		534620001	PSD 000 B
		SHEET NUMBER	
			2 OF 2

部品名 PARTS NAME	材質 MATERIAL	注記 NOTES
ウェハー WAFER	ガラス入り46ナイロン NYLON46 G.F.	G.F.30%, UL94V-0, 色:黒 G.F.30%, UL94V-0, COLOR : BLACK
ピン PIN	黄銅 t0.25 BRASS t0.25	接点部 : 金メッキ0.76μmMIN. CONTACT AREA : GOLD 0.76 MICROMETER MIN. 半田付け部: 錫メッキ1.0μmMIN. SOLDERTAIL AREA : TIN 1.0 MICROMETER MIN. 下地メッキ: ニッケルメッキ2.0μmMIN. UNDER-PLATING : NICKEL 2.0 MICROMETER MIN.
シエル SHELL	りん青銅 t0.4 PHOSPHOR BRONZE t0.4	錫メッキ: 1.0μmMIN. TIN : 1.0 MICROMETER MIN. 下地メッキ: ニッケルメッキ1.27μmMIN. UNDER-PLATING : NICKEL 1.27 MICROMETER MIN.

本製品は53462-**-21の鉛フリー品である。
THIS PRODUCT IS LEAD FREE OF 53462-**21.



53462-0629	6
MATERIAL NO.	CIRCUIT
MODEL NO.	53462-**-29

THIS DRAWING CONTAINS INFORMATION THAT IS PROPRIETARY TO MOLEX ELECTRONIC TECHNOLOGIES, LLC AND SHOULD NOT BE USED WITHOUT WRITTEN PERMISSION									
DIMENSION UNITS mm	SCALE 4:1	CURRENT REV DESC:							
GENERAL TOLERANCES (UNLESS SPECIFIED)		molex 2.0 I/O CONN. SOCKET RIGHT-ANGLE FLAT KINK -LEAD FREE-							
ANGULAR TOL ± 1.0°		PRODUCT CUSTOMER DRAWING							
4 PLACES ± 0.2		DOCUMENT NUMBER SD-53462-010							
3 PLACES ± 0.2		DOC TYPE PSD							
2 PLACES ± 0.2		DOC PART 001							
1 PLACE ± 0.2		REVISION A							
0 PLACES ± 0.2		INITIAL REVISION: DRWN: YWADA 2004/05/21 APPR: MSASAO 2004/05/24							
DRAFT WHERE APPLICABLE MUST REMAIN WITHIN DIMENSIONS		THIRD ANGLE PROJECTION	DRAWING	SERIES	MATERIAL NUMBER	CUSTOMER		SHEET NUMBER	
			A3-SIZE	53462	SEE TABLE	GENERAL MARKET		1 OF 1	