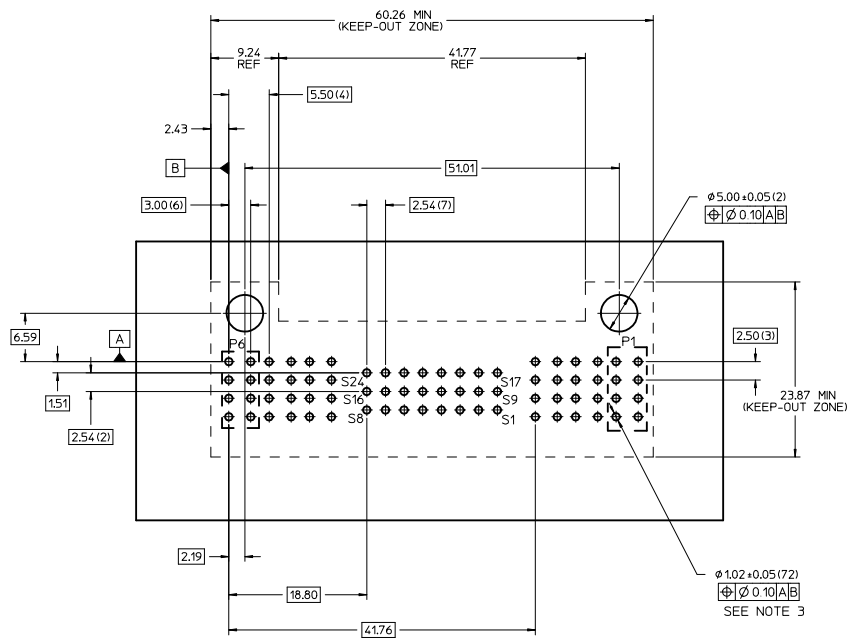
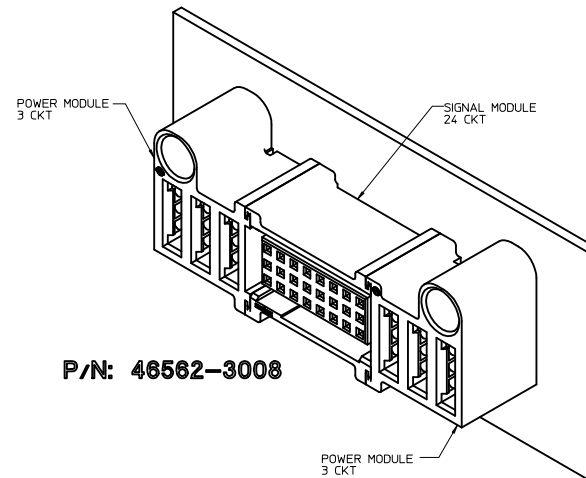
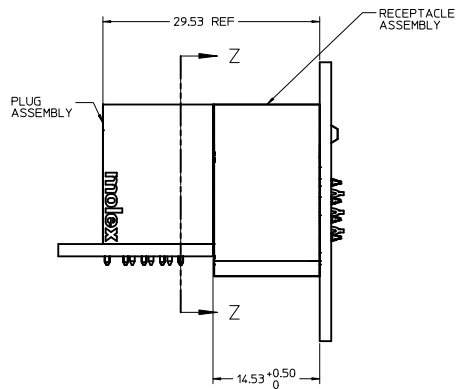


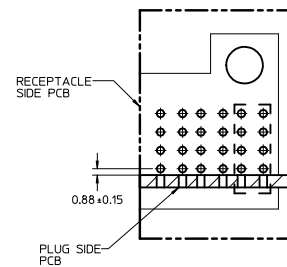
ALLOW EXTRA SPACE
6.00 PER SIDE
(REQUIRED FOR RE-WORK)



RECOMMENDED PCB LAYOUT AND KEEP-OUT ZONE



P/N: 46562-3008

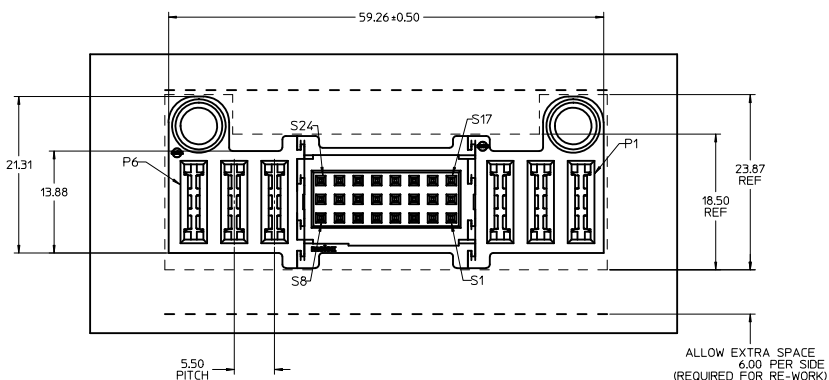
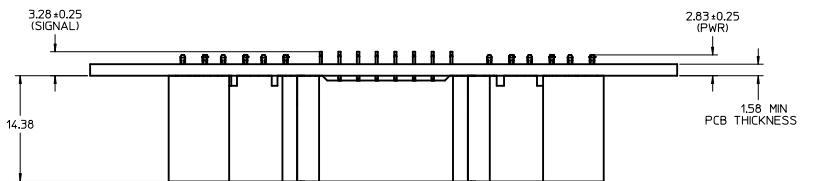


SECTION Z-Z

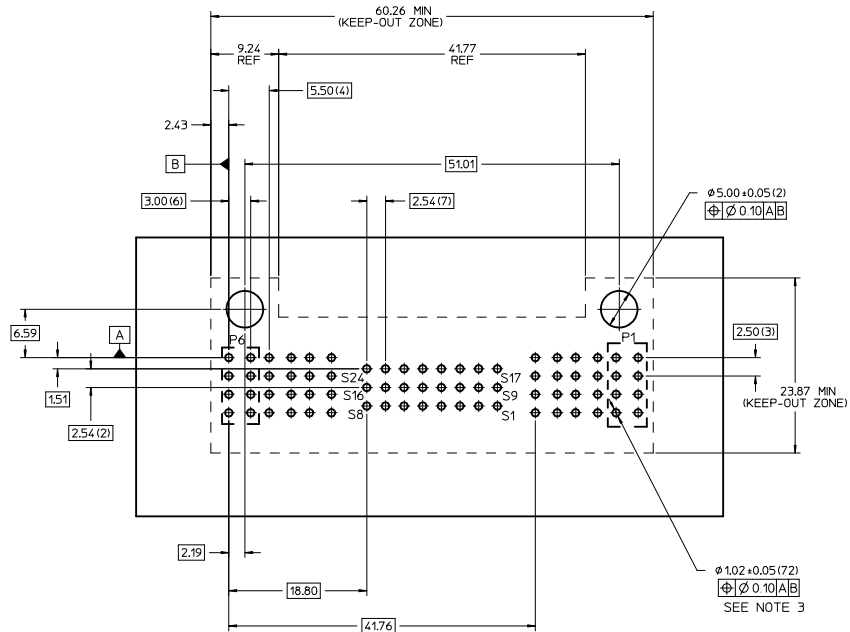
NOTES:

- MATERIAL:
-HOUSINGS: LCP UL94 V-0, COLOR: BLACK.
-TERMINALS: COPPER ALLOY.
-PLATING: 0.000127 NICKEL OVERALL WITH 0.00254 SELECTIVE TIN ON COMPLIANT PINS.
AND 0.000762 SELECTIVE GOLD ON CONTACT AREA.
- PACKAGING ASSEMBLIES TO BE TRAY PACKED PER PACKAGING SPEC PK-46562-XXX.
- PC BOARD REQUIRES THRU HOLES, REFER TO PS-46436-100 FOR DETAILS.
- PRODUCT SPEC: PS-46436-100.
- APPLICATION SPEC: AS-46436-100.
- PRODUCT TO MEET RoHS REQUIREMENTS.
- ASSEMBLY MATES WITH PLUG ASSEMBLY, P/N 46437-3008.

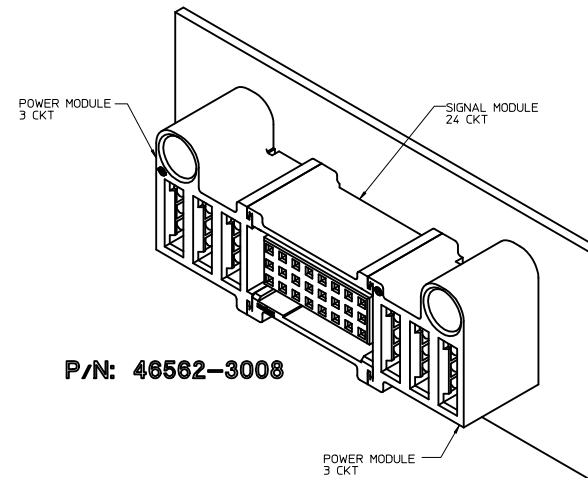
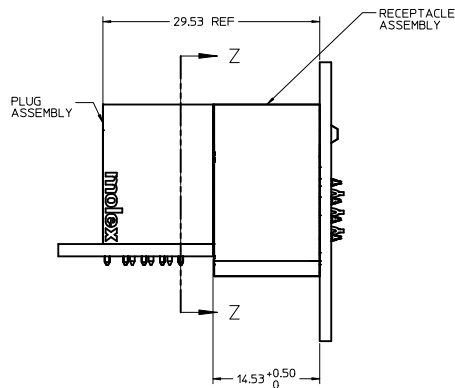
UPDATE DESCRIPTION IEC NO: LCP2010-1783 DRAWN: KAKADIMAS 2010/01/22 CHK: LING 2010/02/08 APPR: APATEL 2010/02/10 REV: B1	QUALITY SYMBOLS	GENERAL TOLERANCES (UNLESS SPECIFIED)	DIMENSION STYLE	SCALE	DESIGN UNITS	THIRD ANGLE PROJECTION	
		mm INCH	MM ONLY	3:1	METRIC		
		4 PLACES ± --- ± --- 3 PLACES ± --- ± --- 2 PLACES ± 0.25 ± --- 1 PLACE ± 0.25 ± ---	DRAWN BY DATE KJKOH 2009/03/11 CHECKED BY DATE LNG APPROVED BY DATE SHONG	TITLE VERT RECEPT ASSY TG-3P-24S-3P-TG TEN60, PRESS-FIT (B1)	MOLEX INCORPORATED MATERIAL NO. 46562-3008 DOCUMENT NO. SD-46562-308		SHEET NO. 1 OF 1
	DRAFT WHERE APPLICABLE MUST REMAIN WITHIN DIMENSIONS		THIS DRAWING CONTAINS INFORMATION THAT IS PROPRIETARY TO MOLEX INCORPORATED AND SHOULD NOT BE USED WITHOUT WRITTEN PERMISSION				



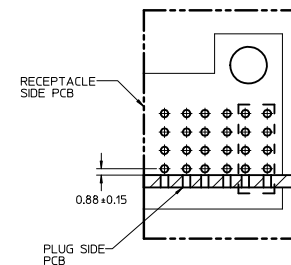
ALLOW EXTRA SPACE 6.00 PER SIDE (REQUIRED FOR RE-WORK)



RECOMMENDED PCB LAYOUT AND KEEP-OUT ZONE



P/N: 46562-3008



SECTION Z-Z

NOTES:

- MATERIAL:
 - HOUSINGS: LCP UL94 V-0, COLOR: BLACK.
 - TERMINALS: COPPER ALLOY.
 - PLATING: 0.000127 NICKEL OVERALL WITH 0.00254 SELECTIVE TIN ON COMPLIANT PINS. AND 0.000762 SELECTIVE GOLD ON CONTACT AREA.
- PACKAGING ASSEMBLIES TO BE TRAY PACKED PER PACKAGING SPEC PK-46562-XXX.
- PC BOARD REQUIRES THRU HOLES, REFER TO PS-46436-100 FOR DETAILS.
- PRODUCT SPEC: PS-46436-100.
- APPLICATION SPEC: AS-46436-100.
- PRODUCT TO MEET RoHS REQUIREMENTS.
- ASSEMBLY MATES WITH PLUG ASSEMBLY, P/N 46437-3008.

UPDATE DESCRIPTION IEC NO: LCP2010-1783 DRAWN: KIKARAD/MS 2010/01/22 CHK: LING 2010/02/08 APPR: APATEL 2010/02/10 REV: B1	QUALITY SYMBOLS	GENERAL TOLERANCES (UNLESS SPECIFIED)	DIMENSION STYLE	SCALE	DESIGN UNITS	THIRD ANGLE PROJECTION	
		mm INCH	MM ONLY	3:1	METRIC		
		4 PLACES ± --- ± --- 3 PLACES ± --- ± --- 2 PLACES ± 0.25 ± --- 1 PLACE ± 0.25 ± ---	DRAWN BY DATE KJKOH 2009/03/11 CHECKED BY DATE LNG APPROVED BY DATE SHONG	TITLE VERT RECEPT ASSY TG-3P-24S-3P-TG TEN60, PRESS-FIT (B1)	MATERIAL NO. 46562-3008	MOLEX INCORPORATED	SHEET NO. 1 OF 1
	DRAFT WHERE APPLICABLE MUST REMAIN WITHIN DIMENSIONS	ANGULAR ±1/2°	MATERIAL NO. 46562-3008	DOCUMENT NO. SD-46562-308			