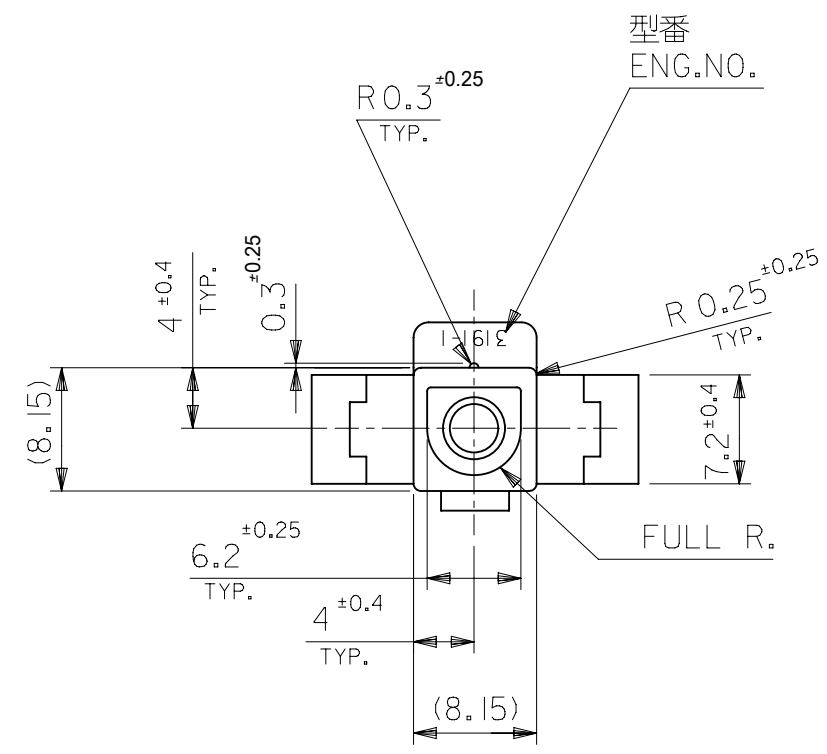


パネル取付穴推奨寸法 (厚さ 2.0 最大)
 ハウジングの装着はパネル穴打抜き方向より行うこと
 RECOMMENDED PANEL HOLE DIMENSION (THK. 2.0 MAX.)
 ATTACH THE HOUSING FROM THE DIRECTION OF
 PANEL HOLE PUNCHED OUT

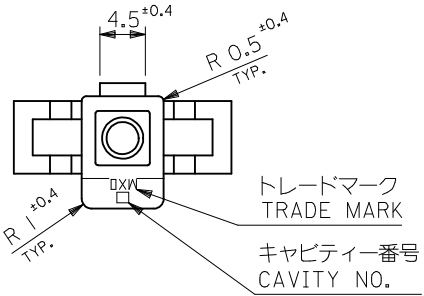
注記
 NOTE
 () 内寸法は参考値
 DIMENSIONS IN () ARE REFERENCE



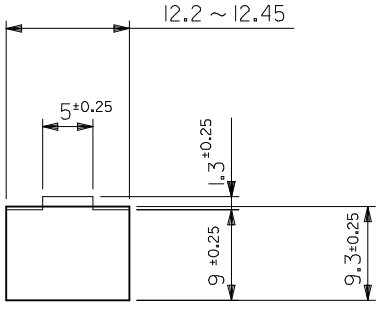
自然色 NATURAL	39-03-6010	3191-01P	NYLON66	94V-2
PENDING APPROVAL	POLYBAG PACKAGE	モデル番号 MODEL No.	材質 MATERIAL	UL
	オ - ダー番号 ORDER NO.			

THIS DRAWING CONTAINS INFORMATION THAT IS PROPRIETARY TO MOLEX ELECTRONIC TECHNOLOGIES, LLC AND SHOULD NOT BE USED WITHOUT WRITTEN PERMISSION															
DIMENSION UNITS		SCALE		CURRENT REV DESC: OBSOLETE PART NUMBERS											
mm		2:1													
GENERAL TOLERANCES (UNLESS SPECIFIED)										EC NO: 650267 DRWN: SKANDB 2020/10/19 CHK'D: APPR: INITIAL REVISION: DRWN: M.NABEI 2007/05/10 APPR: N.UKITA 2007/05/10					
		MM INCH													
4 PLACES	±	±													
3 PLACES	±	±													
2 PLACES	±	±													
1 PLACE	±	±		PRODUCT CUSTOMER DRAWING DOCUMENT NUMBER SD-3191-001 DOC TYPE PSD DOC PART 001 REVISION D											
0 PLACES	±	±													
ANGULAR TOL		°		DRAFT WHERE APPLICABLE MUST REMAIN WITHIN DIMENSIONS		THIRD ANGLE PROJECTION		DRAWING SERIES MATERIAL NUMBER CUSTOMER SHEET NUMBER							
				A3-SIZE		3191		SEE TABLE GENERAL MARKET 1 OF 1							

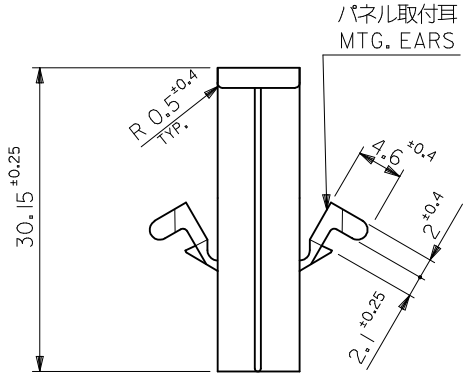
DOCUMENT STATUS	RQ	RELEASE DATE
-----------------	----	--------------



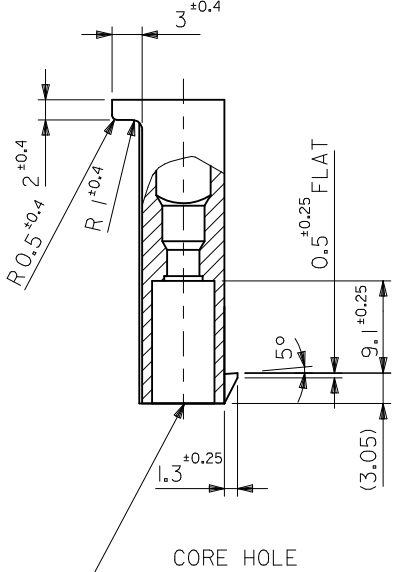
トレードマーク
TRADE MARK
キャビティー番号
CAVITY NO.



パネル取付穴推奨寸法 (厚さ 2.0 最大)
ハウジングの装着はパネル穴打抜き方向より行うこと
RECOMMENDED PANEL HOLE DIMENSION (THK. 2.0 MAX.)
ATTACH THE HOUSING FROM THE DIRECTION OF
PANEL HOLE PUNCHED OUT

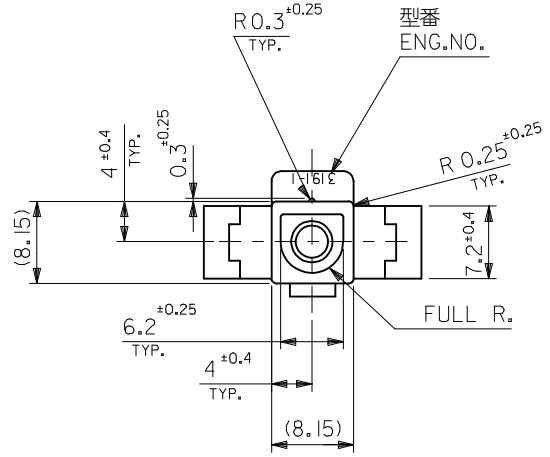


パネル取付耳
MTG. EARS



CORE HOLE

注記
NOTE
() 内寸法は参考値
DIMENSIONS IN () ARE REFERENCE



型番
ENG. NO.

FULL R.

39-03-6011	3191-01P-201	NYLON66	94V-0
39-03-6010	3191-01P	NYLON66	94V-2
POLYBAG PACKAGE	モデル番号 MODEL No.	材質 MATERIAL	UL
オーダー番号 ORDER NO.			

REVISED EC NO.: J2013-0829 DRWN: KASHIO 2013/01/31 CHKD: KASAKAWA 2013/01/31 APPR: Y01TO 2013/04/16	GENERAL TOLERANCES (UNLESS SPECIFIED)		DIMENSION STYLE MM ONLY	SCALE 2:1	DESIGN UNITS METRIC	THIRD ANGLE PROJECTION
	10 UNDER	± ---	DRAWN BY H. IJIMA	DATE '96/06/21	TITLE 1CKT. PLUG HS'G (.093 DIA. TERMINAL)	
	10 OVER 30 UNDER	± ---	CHECKED BY M. FUKUSHIMA	DATE '96/06/21		
	30 OVER	± ---	APPROVED BY M. ENOMOTO	DATE '96/06/21		
ANGULAR ± --- °	DRAFT WHERE APPLICABLE MUST REMAIN WITHIN DIMENSIONS	MATERIAL NO. SEE TABLE	DOCUMENT NO. SD-3191-006	SHEET NO. 1 OF 1		
SIZE A3	THIS DRAWING CONTAINS INFORMATION THAT IS PROPRIETARY TO MOLEX INCORPORATED AND SHOULD NOT BE USED WITHOUT WRITTEN PERMISSION					