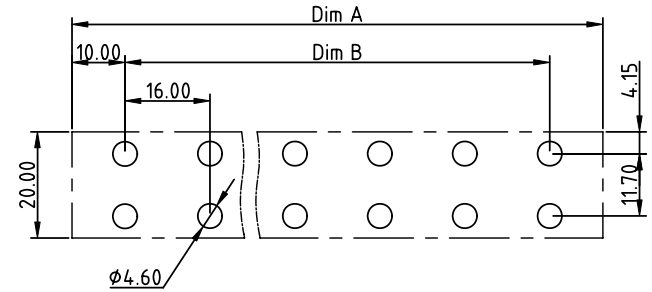
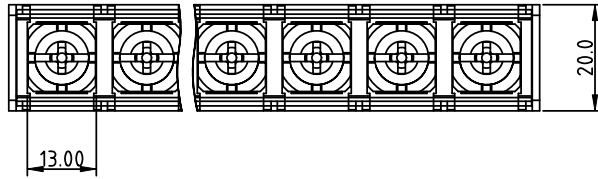
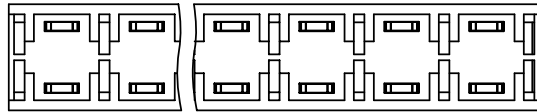
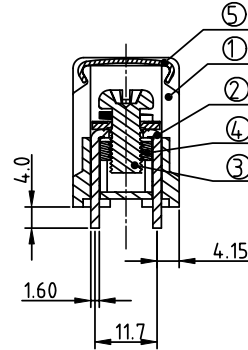
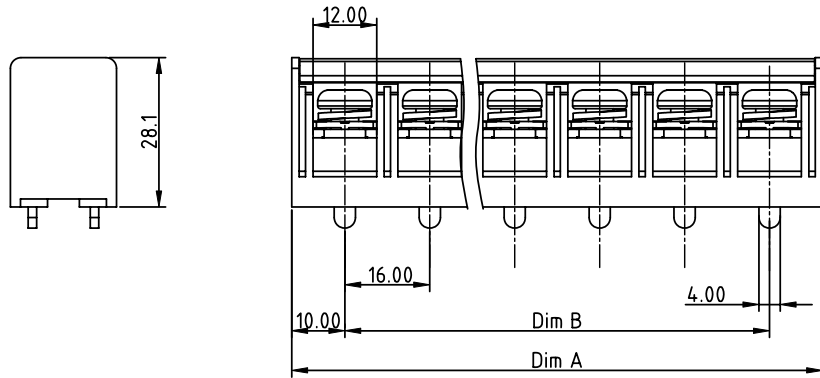


PRODUCT NUMBER	PITCH
YK901xx2x0JOG	16.00mm



RECOMMENDED P.C.B LAYOUT
TOP VIEW



MATERIALS & ELECTRICAL

RATED VOLTAGE & CURRENT: 600 V, 65A
WITHSTAND VOLTAGE: AC 3000 V/Min
INSULATION RESISTANCE: 1000 MΩ OR MORE AT DC 500 V
OPERATING TEMPERATURE RANG: -40 °C ~ +115°C
SCREW TORQUE VALUE: 26 Lb-In.
WIRE RANGE: 10 - 6 AWG

1) HOUSING: THERMOPLASTICS, UL94-V0 BLACK
 2) TERMINAL: BRASS, 1.6t
 3) TERMINAL SCREWS WITH WASHER: STEEL, M6.0
 4) TERMINAL NUT: STEEL, M6.0, NICKEL PLATED
 5) COVER: PC

APPROVAL: US

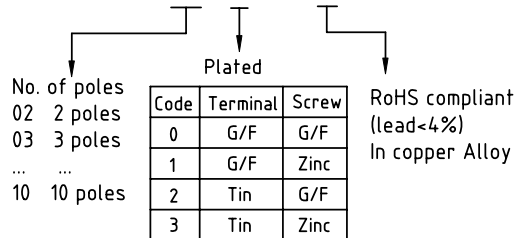
DIMENSION

Dim A	$N \times 16.0 + 4.0$
Dim B	$(N-1) \times 16.0$

N=Number of poles

Poles	Tolerance
2p-6p	± 0.40
7p-10p	± 0.50

PART NO.: YK 901xx 2 x 0 JOG



mat'l. code		surface ASME Y14.5	tolerance ASME Y14.5	projection 	product family TERMINAL BLOCK	
ltr	ecn no	dr	date	tolerances unless otherwise specified		title TERMINAL BLOCK
				angles ϕ	$X \pm 0.5$	BARRIER TYPE, WITH COVER
				$X \pm 1^*$	$X.XX \pm 0.1$	scale
				dr	EVAN LU 061114	FCI
				enr	EVAN LU 061114	dwg no
				chr	HANKE FENG 061114	sheet 1 of 1
				appd	SHI JUN 061114	size A4
sheet index		revision	A	type		CUSTOMER Drawing
		sheet	1			