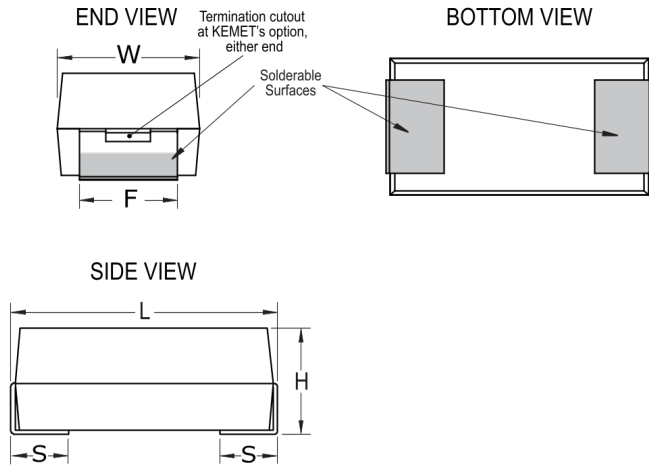


## T493C476K016CT6230

T493 HRA, Tantalum, MnO2 Tantalum, HRA, 47 uF, 10%, 16 VDC, SMD, MnO2, Molded, DLA Drawing, C (0.01%/1000 Hrs), 350 mOhms, 6032, Height Max = 2.8mm



Click [here](#) for the 3D model.

### Dimensions

Footprint	6032
L	6mm +/-0.3mm
W	3.2mm +/-0.3mm
H	2.5mm +/-0.3mm
S	1.3mm +/-0.3mm
F	2.2mm +/-0.1mm

### Packaging Specifications

Packaging	T&R, 178mm
Packaging Quantity	500

### General Information

Series	T493 HRA
Dielectric	MnO2 Tantalum
Style	SMD Chip
Description	SMD, MnO2, Molded, DLA Drawing
RoHS	Yes
Termination	Tin
AEC-Q200	No
Component Weight	224.2 mg

### Specifications

Capacitance	47 uF
Capacitance Tolerance	10%
Voltage DC	16 VDC (85C), 10.72 VDC (125C)
Temperature Range	-55/+125°C
Rated Temperature	85°C
Dissipation Factor	6% 120Hz 25C
Failure Rate	C (0.01%/1000 Hrs)
Resistance	0.35 Ohms (100kHz 25C)
Ripple Current	560 mA (rms, 100kHz 25C)
Leakage Current	7.5 uA (5min 25°C)
Testing and Reliability	10 Cycles Surge Current Testing At +25C After Weibull