

6

5

4

3

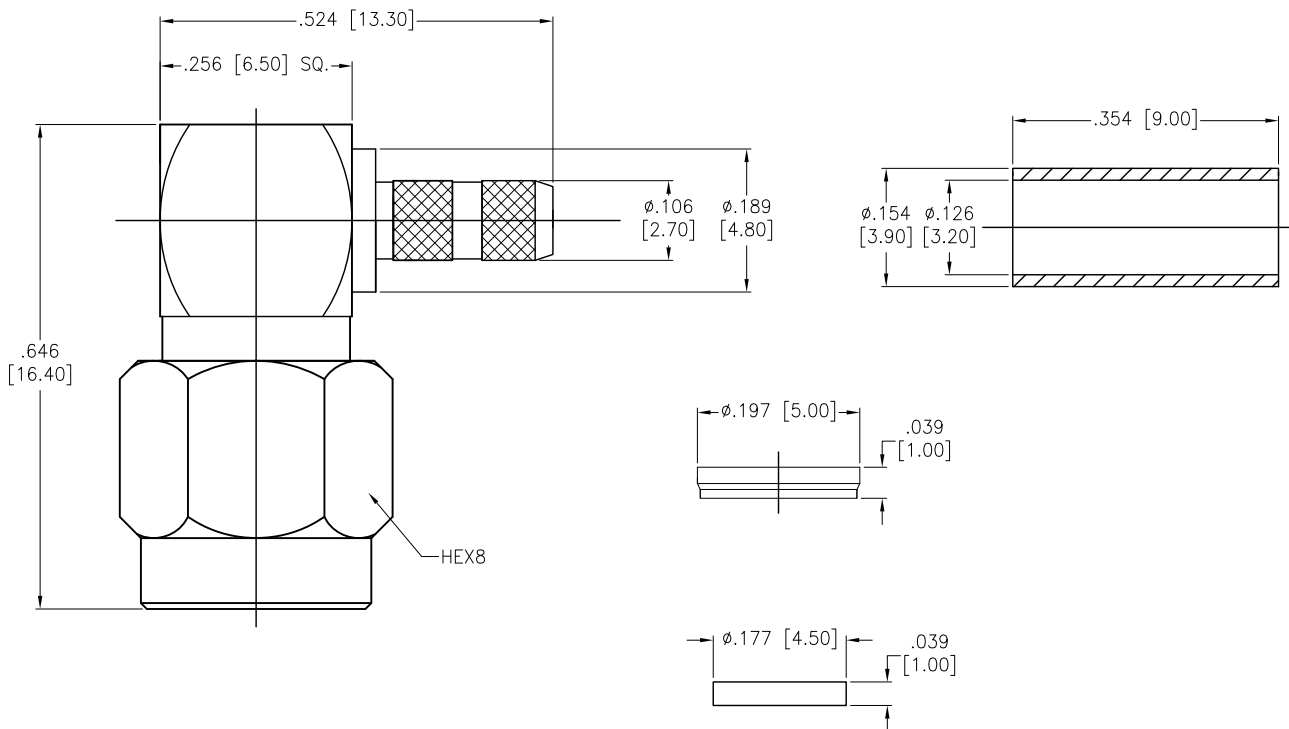
2

1

APPROVED: _____

DATE: _____ TITLE: _____

Rev	AWO #	Description	Date	Appr
-		RELEASED	4/22/16	



FERRULE	COPPER	NICKEL
CONTACT PIN	BRASS	GOLD
INSULATOR	TEFLON	WHITE
BODY	BRASS	GOLD
DESCRIPTION	MATERIAL	FINISH

SPECIFICATIONS:

Electrical:
 Nominal Impedance: 50 ohms
 Frequency range: 0-6 GHz
 VSWR: 1.5 max.
 Working Voltage: 500 Vrms
 Insulator Resistance: 5,000 ohms min.
 Temperature Rating:
 Operating temperature: -55°C to +155°C
 Environmental:
 Lead free, RoHS compliant.



UNLESS OTHERWISE SPECIFIED
 ALL DIMENSIONS ARE INCHES [MM]
 TOLERANCES: EXCEPT AS NOTED
 INCHES HOLES

.X ± .10	∅.X ± .10
.XX ± .020	∅.XX ± .015
.XXX ± .015	∅.XXX ± .010

ADAM TECH

909 Rahway Avenue, Union, NJ 07083
 Phone: 908-687-5000 Fax: 908-687-5710

APPROVALS		DATE
DRAWN	HR	4/22/16
CHECKED	LW	4/22/16
APPROVED		

TITLE		
SMA MALE CRIMP RIGHT ANGLE, RG316 RG174		
SIZE	PART NO.	REV.
X	RF2-153-T-02-50-G	-
REF:	S00128C	SCALE: NTS SHEET 1 OF 1

6

5

4

3

2

1