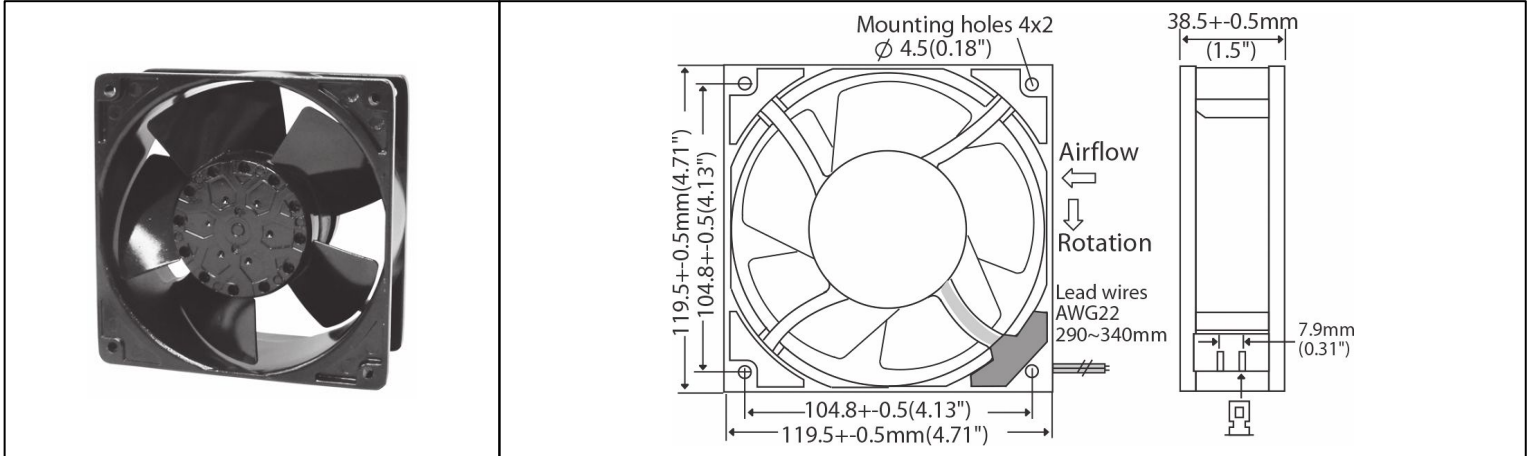


OA109AP All Metal Series



AC Fans - 115, 230V
120mm x 38mm (4.75" x 1.5")



Frame	Die Cast Aluminum, Black Finish	Operating Temperature -30°C ~ +80°C	
Impeller	Steel Alloy, Black Finish		
Power Connection	2x Lead Wires, 22 AWG 300mm, or Terminals	Life Expectancy 50,000 Hours (L10 at 55°C)	
Motor	AC Shaded Pole, Impedance Protected, IP55 Rated	Installed Options IP55 Rated Motor	
Bearing System	Ball Bearings	Available Options Salt Fog Ratings Other Voltages	
Dielectric Strength	1500VAC/min, <1mA	Weight: 1.3 lbs.	
Insulation Resistance	≥10MΩ @ 500V DC		

Part Number	Rated Voltage (Volts AC)	Voltage Range (Volts AC)	Frequency (Hertz)	Rated Power (Watts)	Rated Speed (RPM)	Max Airflow (CFM)	Noise Level (dBA)	Max Static Pressure ("H ₂ O)
OA109AP-11-1*B1855	115	100 ~ 125	50 / 60	21 / 20	2600 / 3100	90 / 105	48	0.25 / 0.22
OA109AP-11-2*B1855	115	100 ~ 125	50 / 60	14 / 13	2400 / 2450	82 / 85	43	0.17 / 0.12
OA109AP-11-3*B1855	115	100 ~ 125	50 / 60	12 / 9	1700 / 1800	58 / 60	32	0.11 / 0.9
OA109AP-22-1*B1855	230	200 ~ 250	50 / 60	21 / 20	2600 / 3100	90 / 105	48	0.25 / 0.22
OA109AP-22-2*B1855	230	200 ~ 250	50 / 60	14 / 13	2400 / 2450	82 / 85	43	0.17 / 0.12
OA109AP-22-3*B1855	230	200 ~ 250	50 / 60	12 / 9	1700 / 1800	58 / 60	32	0.11 / 0.9

* Substitute "T" for Terminal connection type, or "W" for Wire Lead connection type.