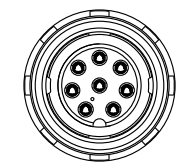
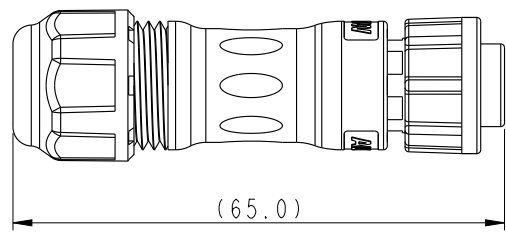
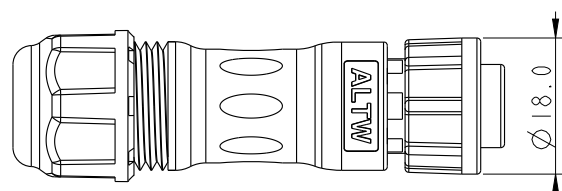
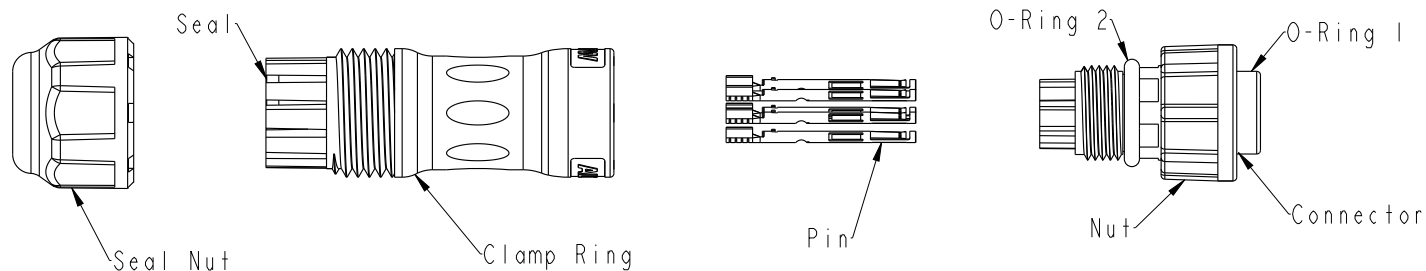


7	8
REV.	DESCRIPTION



Material Specification:

- * Connector: Nylon+GF, Black.
- * Pins: Copper Alloy, Gold Plated.
- * Seal & O-Ring: Silicone, Gray.
- * UL Rated: UL 94V-0, fl.
- * RoHS Compliant.

Electrical Specification:

- * Contact Resistance: 10mΩ Max.
- * Insulation Resistance: 100MΩ Min.
- * Dielectric Withstand Voltage: 1,600 Vac.

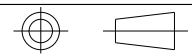
Mechanical Specification:

- * Durability: 1000 Cycles.
- * Tensile strength: 10 kgf.
- * Wire Conductor:
 - 5A: 22AWG~20AWG
 - 10A: 18AWG~16AWG
- * Wire Insulation OD:
 - 5A: 1.9mm Max.
 - 10A: 2.7mm Max.
- * Torque Force for Clamp Ring: 6~8 kgf-cm
- * Torque Force for Seal Nut: 6~8 kgf-cm

Environmental Specification:

- * Waterproof Rating: IP67(Mated)
- * Temperature Range: -40°C to 105°C.
- * Salt Spray: Mated, 1000 Hours.
- * Safety Compliance: UL 1977.

UNIT:mm



TITLE
Circular B-Size Field Installable
Cable Type F Conn

Amphenol LTW

ITEM NO
DRAWN BY
DATE

DWG NO
CHECKED BY
DATE

CUSTOMER
APPROVED BY
DATE

TOLERANCE
±0.5 mm

SCALE 8:5 SIZE A4 SHEET 1 OF 2

REV. A WC-REV. A.3 (QC) Inspection item

安費諾亮泰企業股份有限公司

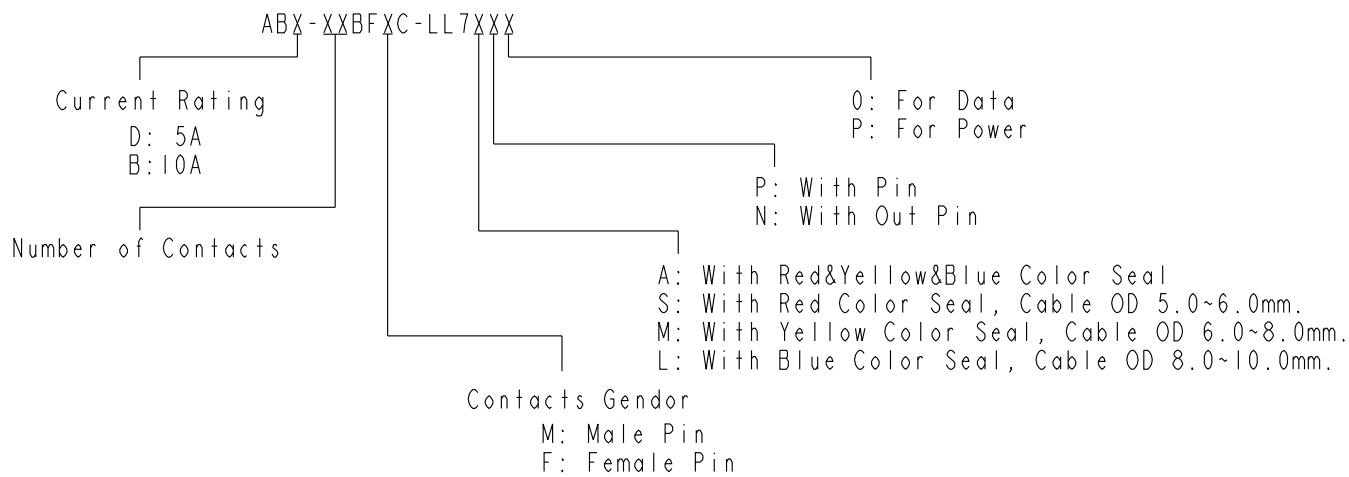
ABX-XXBFXC-LL7XXX

ALTW

THIS DOCUMENT IS SUBJECT TO CHANGE WITHOUT NOTICE. IT IS CONFIDENTIAL AND A PROPERTY OF Amphenol LTW. DISCLOSURE TO THIRD PARTY HAS TO BE AUTHORIZED BY Amphenol LTW.

THIS DOCUMENT IS SUBJECT TO CHANGE WITHOUT NOTICE. IT IS CONFIDENTIAL AND A PROPERTY OF Amphenol LTW. DISCLOSURE TO THIRD PARTY HAS TO BE AUTHORIZED BY Amphenol LTW.

Ordering Information:



Pin Assignments Front View	10A ; 2 Contacts(02)	10A ; 3 Contacts(03)	10A ; 4 Contacts(04)	5A ; 2 Contacts(02)	5A ; 3 Contacts(03)	5A ; 4 Contacts(04)	5A ; 5 Contacts(05)	5A ; 6 Contacts(06)	5A ; 7 Contacts(07)	5A ; 8 Contacts(08)
Male Pin										
Female Pin										

UNIT:mm		TITLE Circular B-Size Field Installable Cable Type F Conn
TOLERANCE ±0.5 mm	SCALE 8:5	SIZE A4
	REV. A	SHEET 2 OF 2
	WC-REV. A.3	☉: Inspection item

Amphenol LTW
安費諾亮泰企業股份有限公司

ITEM NO	DRAWN BY	DATE
DWG NO ABX-XXBFXC-LL7XXX	Peng	2018-12-15
CUSTOMER ALTW	CHECKED BY Mafei	DATE 2018-12-15
	APPROVED BY Jerry	DATE 2018-12-15