



LAYOUT SHOWN AS EXAMPLE

Keying Shown as example

**CHARACTERISTICS**

- Standard : Based on MIL-DTL-38999 Series III
- Shell Material : Composite
- Shell Plating : Nickel
- Insulator : Thermoplastic
- Contacts : Copper Alloy
- Seals & Grommet : Silicon Elastomer
- Contact Plating : Gold over copper Alloy 0.8µm minimum
- Durability : 500 Mating cycles
- Delivered with Souriau contacts and Accessories
- Temperature Range : -65°C to +200°C
- Salt Spray : 2000 hours

| Connector dimension |             |
|---------------------|-------------|
| Dim                 | Nominal     |
| P                   | 3.25±0.2    |
| PP                  | 4.93±0.2    |
| R1                  | 23.01       |
| R2                  | 20.62       |
| S                   | 28.6±0.3    |
| V'                  | 19.5+1.4/-0 |
| W'                  | 2.1/3.65    |
| Z'                  | 32 Max      |
| VV THREAD           | M18x1-6g    |

SOURIAU shall not be liable for any non-conformity or damage due to a use of the Products which does not comply with the Specifications issued by either of the Parties or by a third party (professional recommendation, technical notice.)

| Country | Jurisdiction & Control List |
|---------|-----------------------------|
| FR      | Not Listed                  |

**PN: 8D013M03HD**

|   |                                    |                                |                               |
|---|------------------------------------|--------------------------------|-------------------------------|
| A   | 15-10-2016                         | First Release                  |                               |
| ISS   | DATE                               | Latest modification - by       | MOD N°                        |
| Designed By:  |                                    | Date:                          | <b>CUSTOMER DRAWING</b>       |
| <b>TITLE</b>  |                                    | Composite Receptacle 8D series |                               |
| SCALE   | NA                                 | General linear Tolerances: ±-- | NPRDS / PROJECT<br><b>859</b> |
| <b>SOURIAU</b>  |                                    | <b>WWW.SOURIAU.COM</b>         |                               |
| This document is the property of SOURIAU it must not be reproduced or communicated without permission |                                    |                                |                               |
| FORMAT  | <b>SOURIAU DRG N° 8D013M03HD-C</b> |                                | SHEET<br>1/2                  |

|                |                          |   |   |    |   |    |   |   |                                   |
|----------------|--------------------------|---|---|----|---|----|---|---|-----------------------------------|
| BASIC SERIES:  | 8D                       | 0 | - | 13 | M | 03 | H | D | ORIENTATION : D                   |
| SHELL TYPE :   | Square Flange Receptacle |   |   |    |   |    |   |   | CONTACT TYPE : PIN (1500 Matings) |
| CONTACT TYPE : | Standard Crimp Contact   |   |   |    |   |    |   |   | CONTACT LAYOUT : 13-03            |
| SHELL SIZE :   | 13                       |   |   |    |   |    |   |   |                                   |
| PLATING :      | M = Nickel               |   |   |    |   |    |   |   |                                   |

Contact Layout

03



3#16

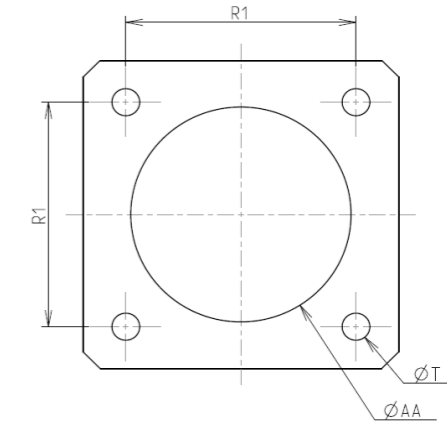
| 13-03 |       |       |
|-------|-------|-------|
| Ctc   | X     | Y     |
| A     | 2.39  | 1.47  |
| B     | 0     | -2.79 |
| C     | -2.39 | 1.47  |

Panel Cutout

SQUARE FLANGE RECEPTACLE (TYPE 0)  
REAR MOUNTING



SQUARE FLANGE RECEPTACLE (TYPE 0)  
FRONT MOUNTING



| Dim | Nominal    |
|-----|------------|
| ØA  | 23.42 min  |
| ØAA | 19.05 min  |
| R1  | 23.01      |
| ØT  | 3.25 ±0.13 |

SOURIAU shall not be liable for any non-conformity or damage due to a use of the Products which does not comply with the Specifications issued by either of the Parties or by a third party (professional recommendation, technical notice.)

| Country | Jurisdiction & Control List |
|---------|-----------------------------|
| FR      | Not Listed                  |

PN: 8D013M03HD

|                |                                       |                            |   |
|----------------|---------------------------------------|----------------------------|---|
| A              | 15-10-2016                            | First Release              |   |
| ISS            | DATE                                  | Latest modification - by   | MOD N°  |
| Designed By:   |                                       | Date:                      | <b>CUSTOMER DRAWING</b>   |
| <b>TITLE</b>   | <b>Composite Receptacle 8D series</b> |                            |   |
| SCALE          |                                       | General linear Tolerances: | NPRDS / PROJECT   |
| NA             |                                       | ±--                        | <b>859</b>  |
| <b>SOURIAU</b> | <b>WWW.SOURIAU.COM</b>                |                            | This document is the property of SOURIAU it must not be reproduced or communicated without permission |
| FORMAT         | <b>SOURIAU DRG N° 8D013M03HD-C</b>    |                            | SHEET 2/2   |