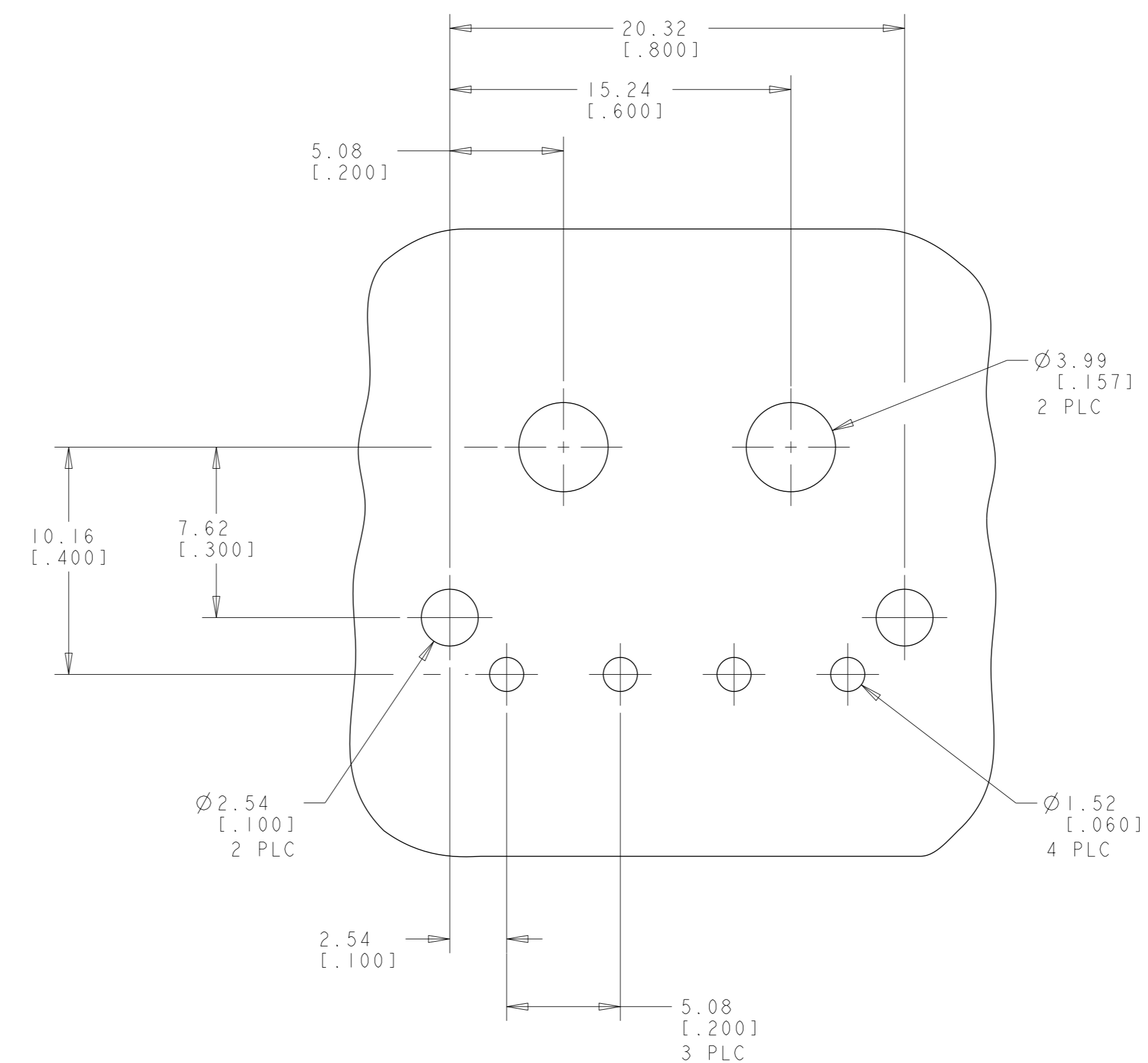
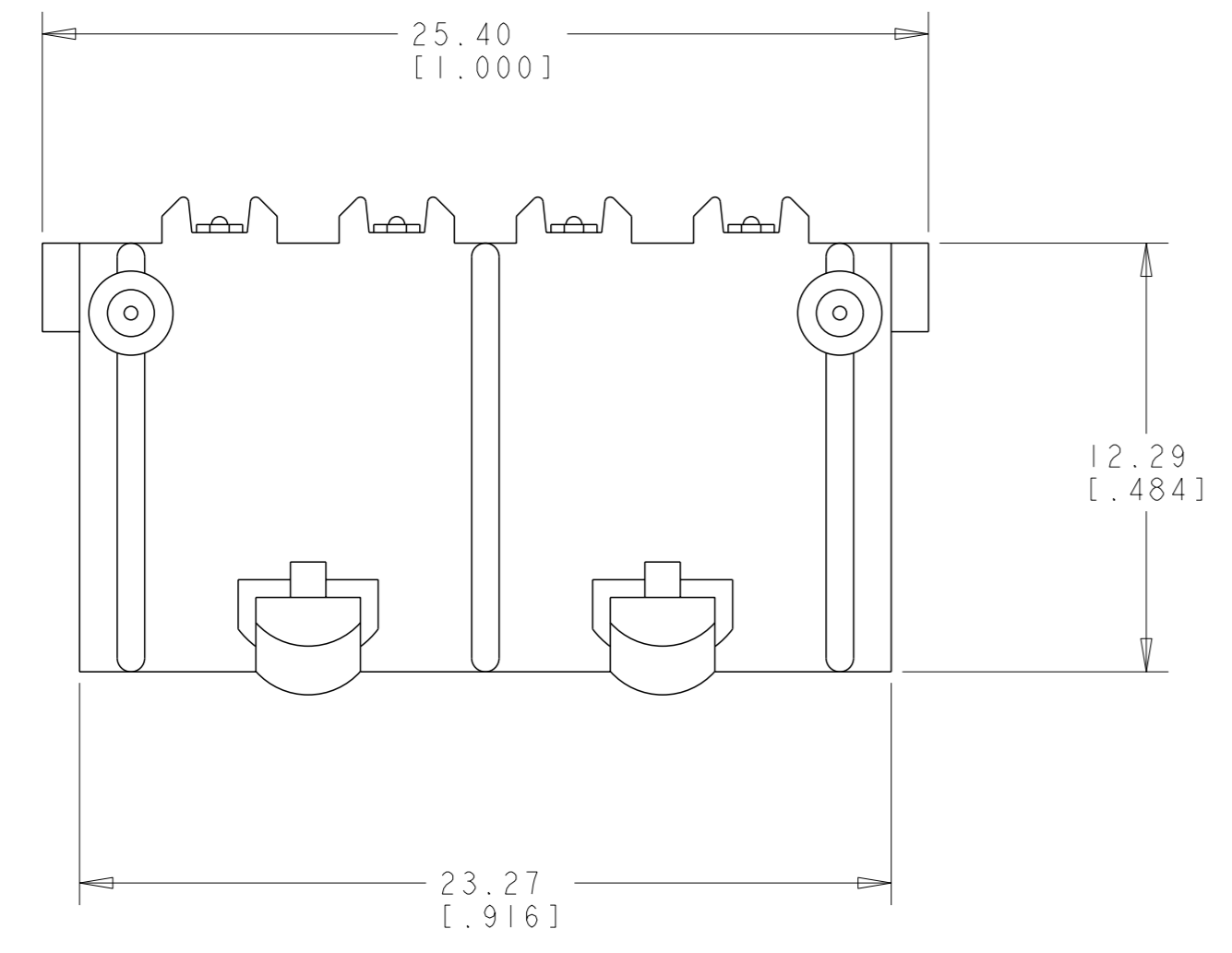
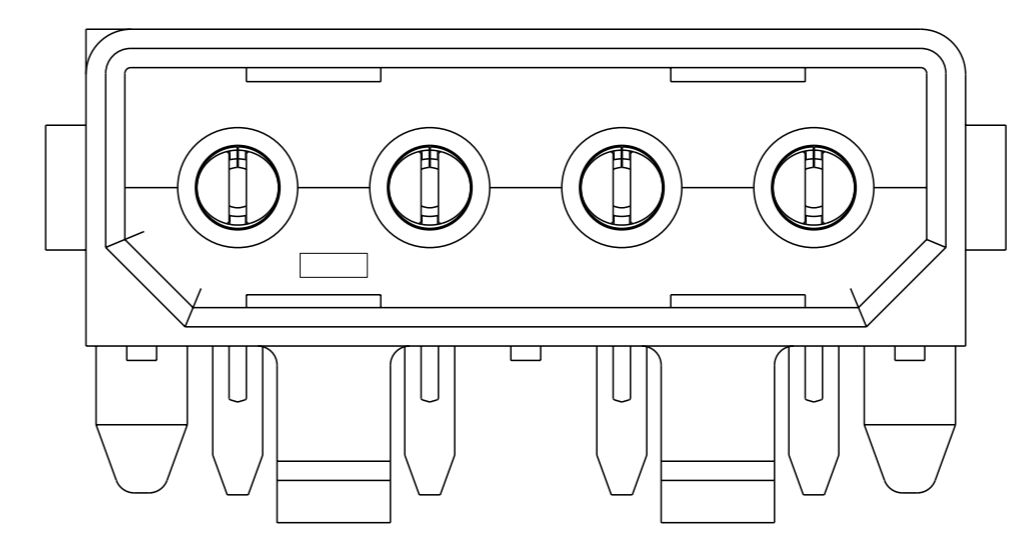
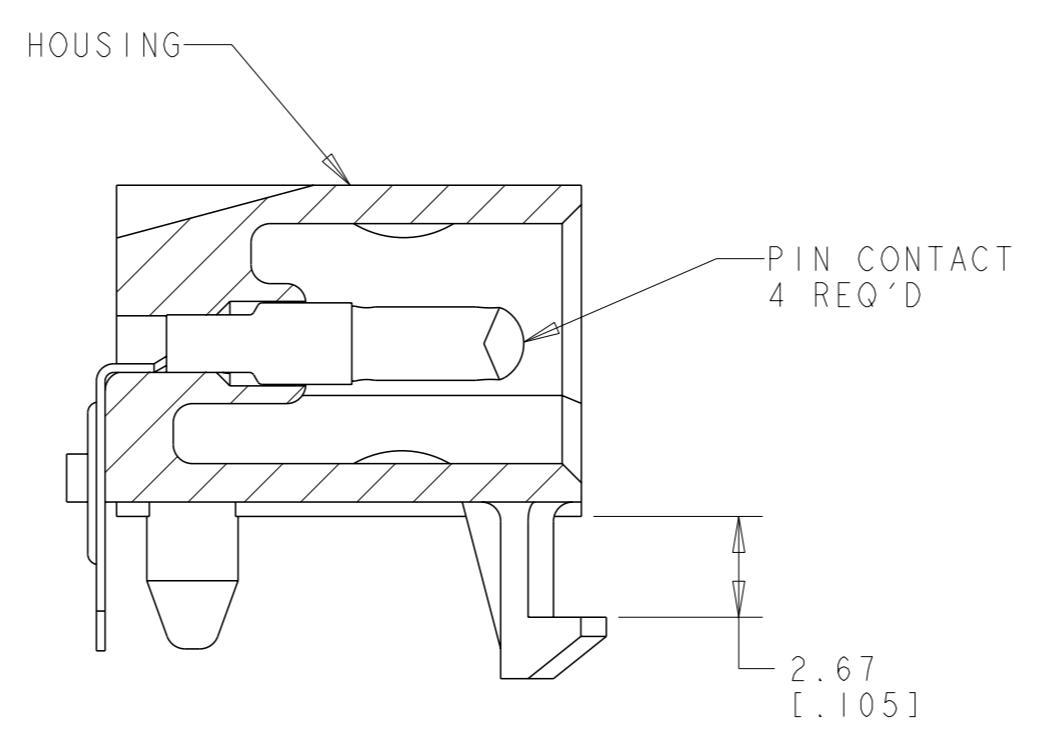
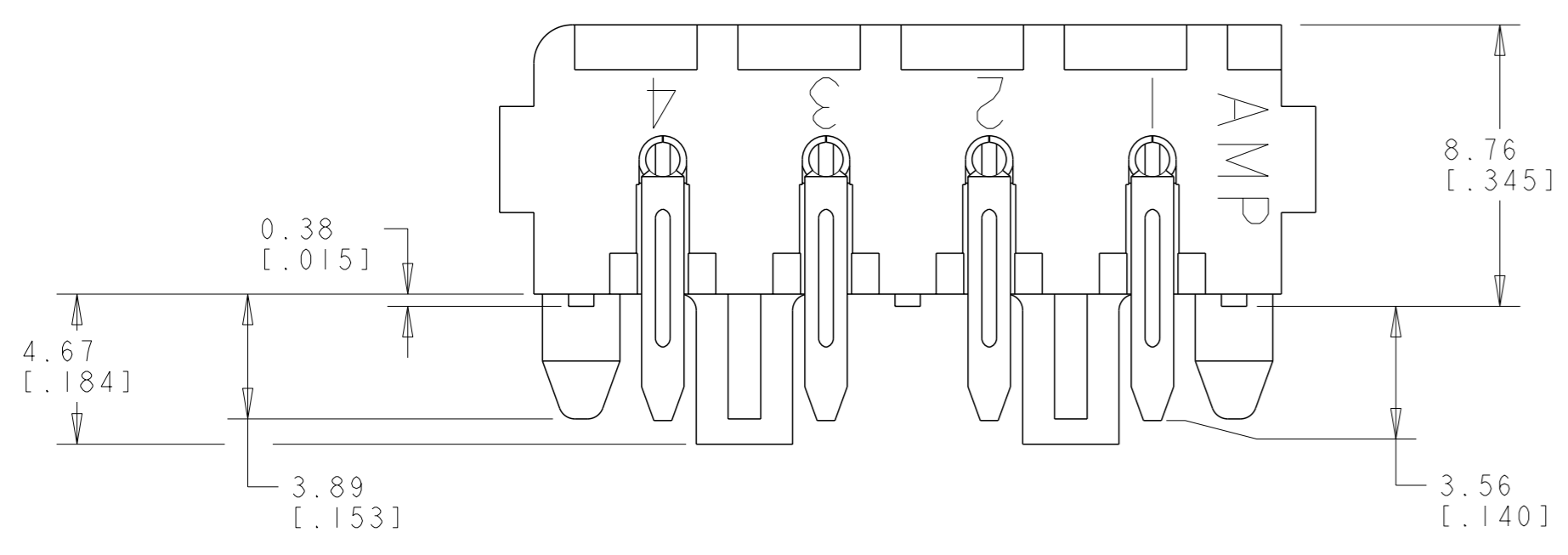
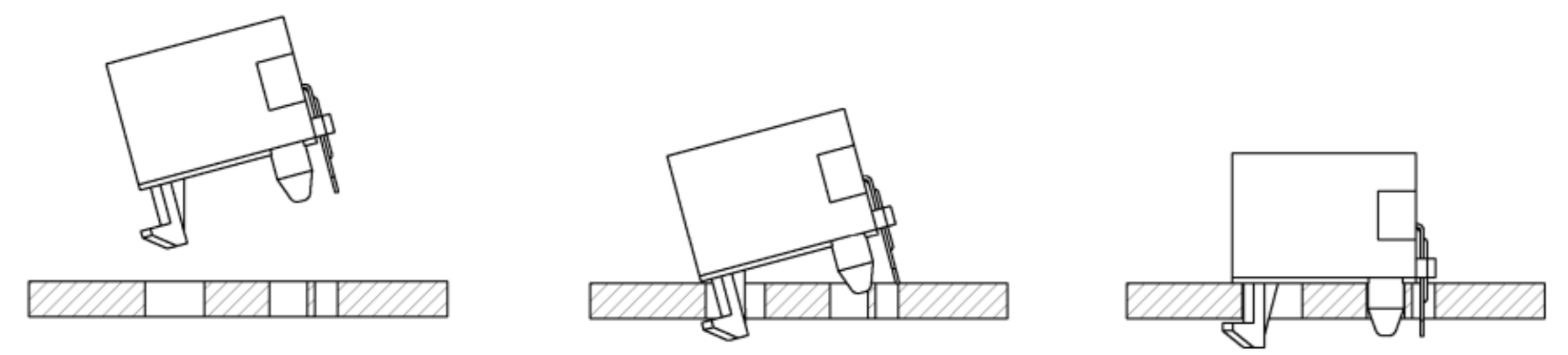


LOC	DIST	REVISIONS					
		P	LY#	DESCRIPTION	DATE	OWN	APVD
CM	00	A1		REVISED PER ECR-21-117185	25OCT2021	PJ	VS

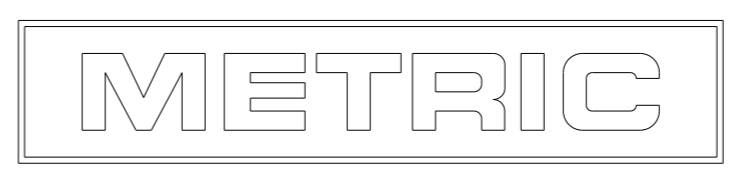
- PART MUST COMPLY WITH AMP SOLDERABILITY SPEC 109-11-5.
- RECOMMENDED EXPOSURE TO SOLDER WAVE 254 C (490 F) NOT TO EXCEED 5 SECONDS.
- DIMENSIONS IN BRACKETS ARE IN INCHES.
- DIMENSION SHOWN REPRESENT PRODUCT IN DRY CONDITION. ADDITIONAL 2% GROWTH DUE TO END USE LOCATION MOISTURE ABSORPTION MAY OCCUR AND SHOULD BE ACCOUNTED FOR.



RECOMMENDED MOUNTING HOLE PATTERN FOR 2.36 [.093] THICK P.C. BOARD



MOUNTING PROCEDURE



PH BRZ	PRE-TIN	NYLON, 94V-2	NATURAL	794697-1
MATERIAL	FINISH	MATERIAL	COLOR	PART NO
PIN		HOUSING		
<small>THIS DRAWING IS UNPUBLISHED. RELEASED FOR PUBLICATION. 20 COPYRIGHT 20 BY TYCO ELECTRONICS CORPORATION. ALL RIGHTS RESERVED.</small>		OWN: K. WHITAKER CHK: D. COLEY APVD: D. COLEY DATE: 01-MAY-2003 PRODUCT SPEC: - APPLICATION SPEC: - FINISH: - ANGLE: 40° 30'	DATE: 01-MAY-2003 NAME: D. COLEY PRODUCT SPEC: - APPLICATION SPEC: - FINISH: - ANGLE: 40° 30'	Tyco Electronics Harrisburg, PA 17105-3608 NAME: CONNECTOR ASSEMBLY, P.C. HEADER, RIGHT ANGLE MOUNT, 4 CIRCUIT, COMMERCIAL MATE-N-LOK™ SIZE: A1 CAGE CODE: 00779 DRAWING NO: 794697 RESTRICTED TO: - SCALE: 5:1 SHEET: 1 OF 1 REV: A1
MATERIAL: -		WEIGHT: -	CUSTOMER DRAWING	