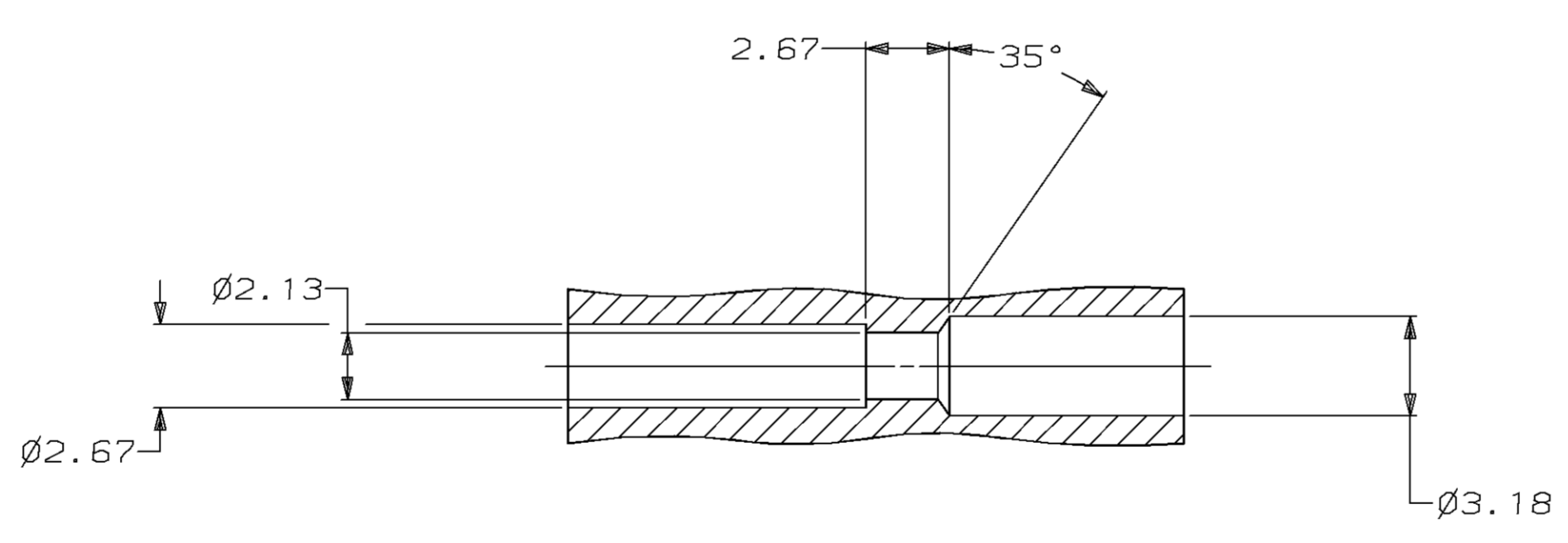
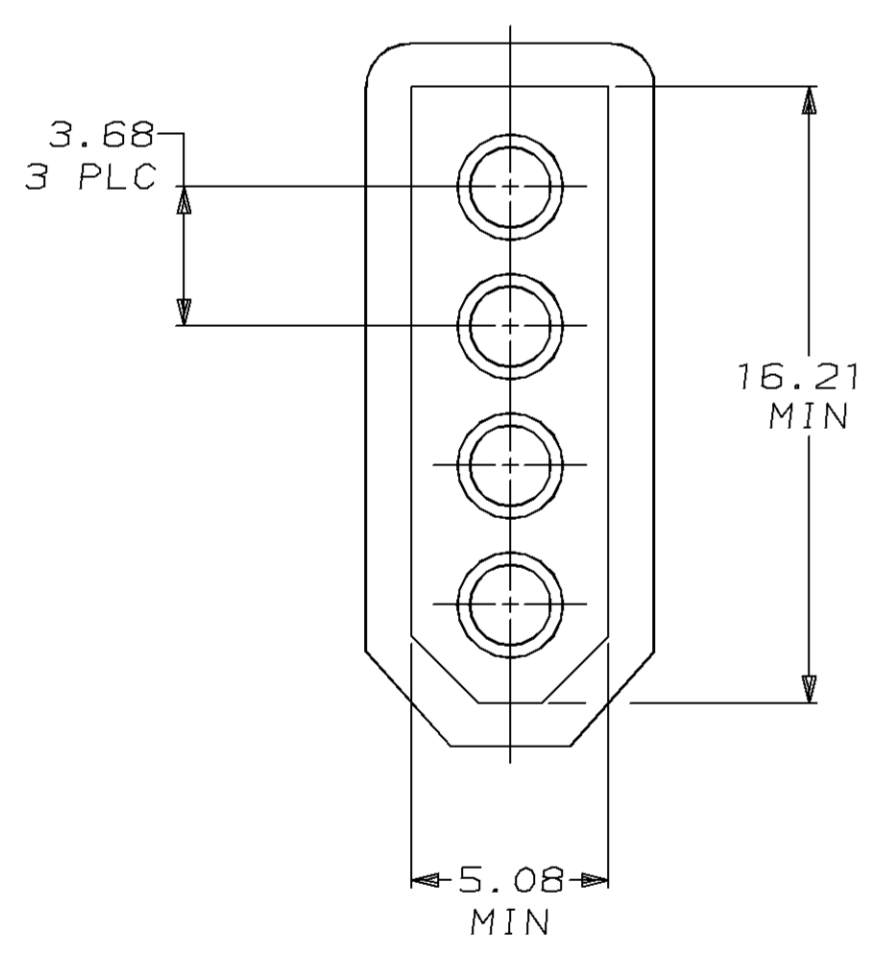
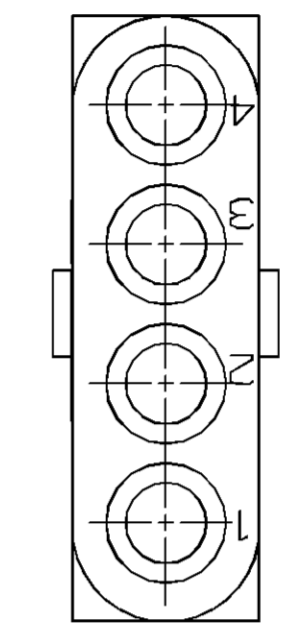
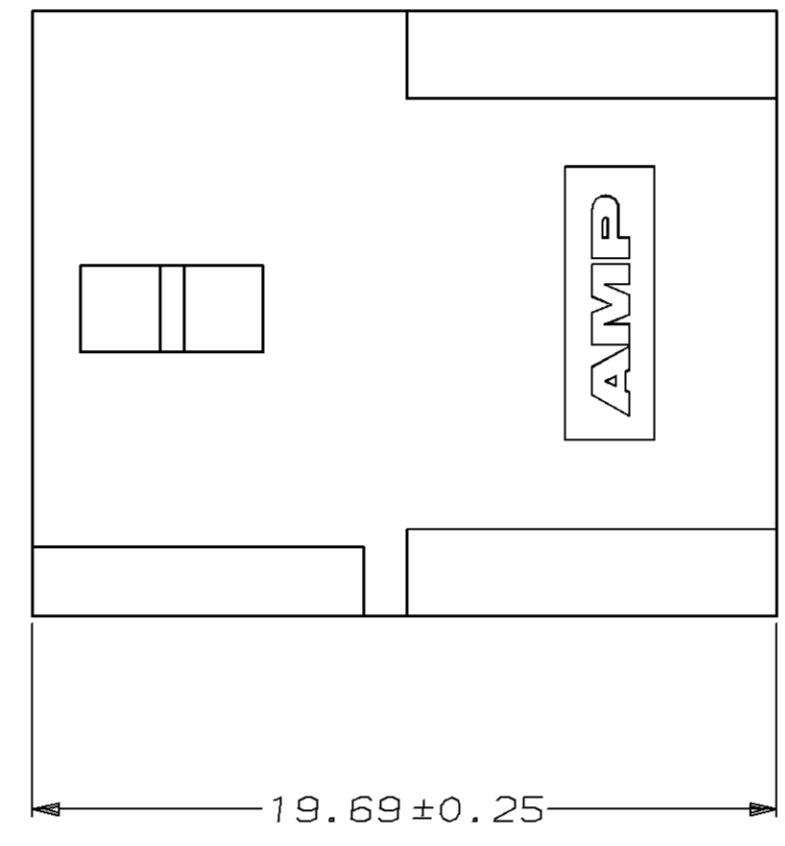
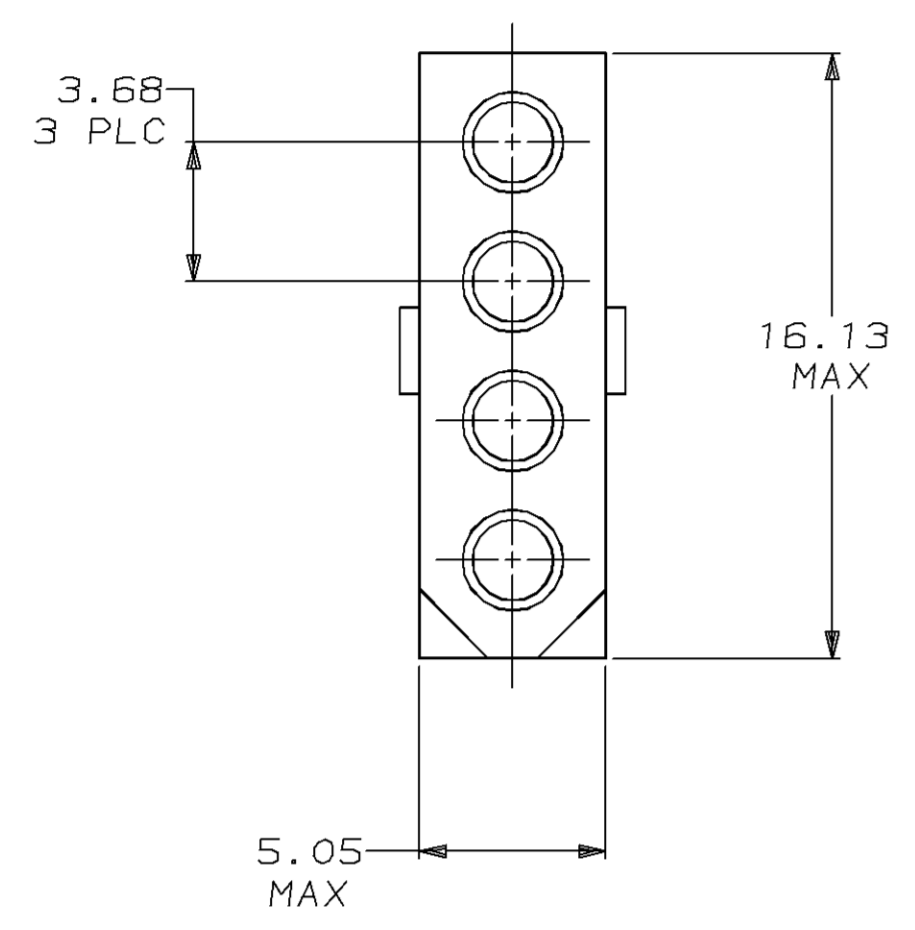
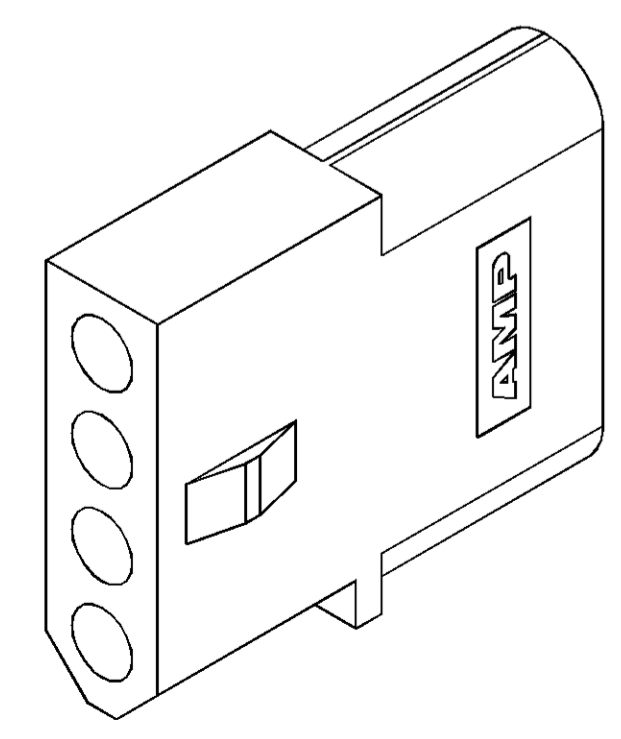


LOC		DIST		P		F		ZONE		LTR		REVISIONS		DATE	APPD
CM	53												REV PER EC 0730-0221-95	11-20-95	JH



MATING CONNECTOR INTERFACE

TYPICAL RECEPTACLE CAVITY SECTION  
(DIMENSIONS REFERENCE ONLY)



3-DIMENSIONAL MODEL  
NTS

MM	IN	MM	IN
3.18	.125	19.69	.775
2.67	.105	16.21	.638
2.13	.084	16.13	.635
1.57	.062	5.08	.200
0.25	.010	5.05	.199
0.13	.005	3.68	.145

CONVERSION TABLE



THIS DRAWING IS A CONTROLLED DOCUMENT FOR AMP INCORPORATED. IT IS SUBJECT TO CHANGE AND THE CONTROLLING ENGINEERING ORGANIZATION SHOULD BE CONTACTED FOR THE LATEST REVISION.

DO NOT SCALE PRINT. UNLESS SPECIFIED DIMENSIONS IN mm [INCHES] TOLERANCES ON:		DR 11-4-93 K. WHITAKER	<b>AMP</b> AMP Incorporated Harrisburg, PA 17105-3608		
2 PLC DEC ± 0.13	3 PLC DEC ± -	CHK 11-4-93 R. SWING			
ANGLES ± 1°0'		APPD 11-4-93 C. CASH	NAME RECEPTACLE, 4 CIRCUIT, .062 PIN AND SOCKET		
MATERIAL NYLON, UL 94V-2 NATURAL		APPD 11-4-93 C. CASH	PRODUCT SPEC -	SIZE D	CAGE CODE 00779
FINISH -		APPLICATION SPEC -	WEIGHT -	DRAWING NO C-770274	
			SCALE 5:1	SHEET 1 OF 1	

770274-1  
PART NO